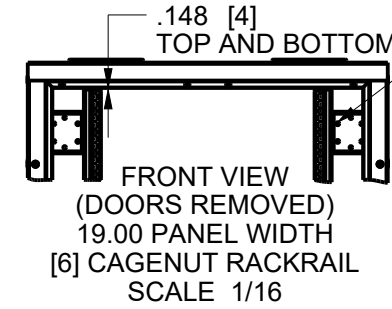
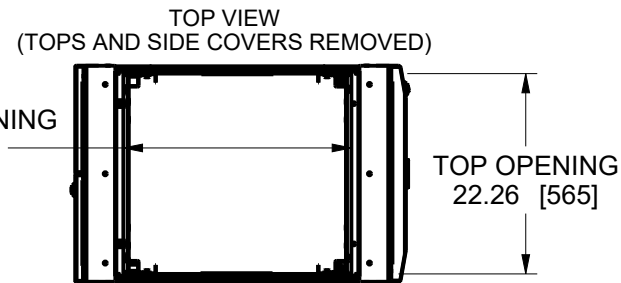
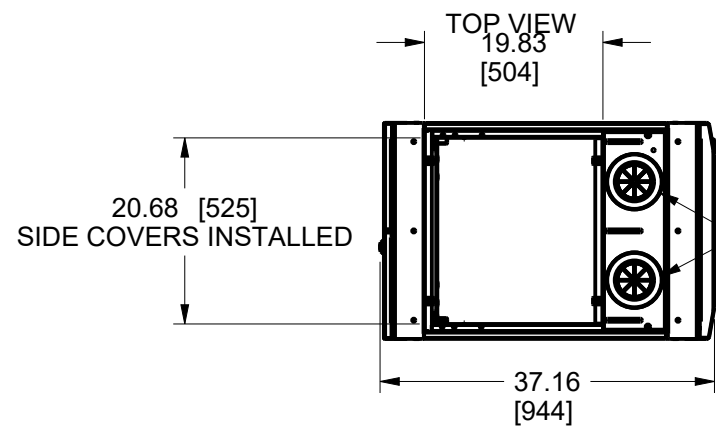
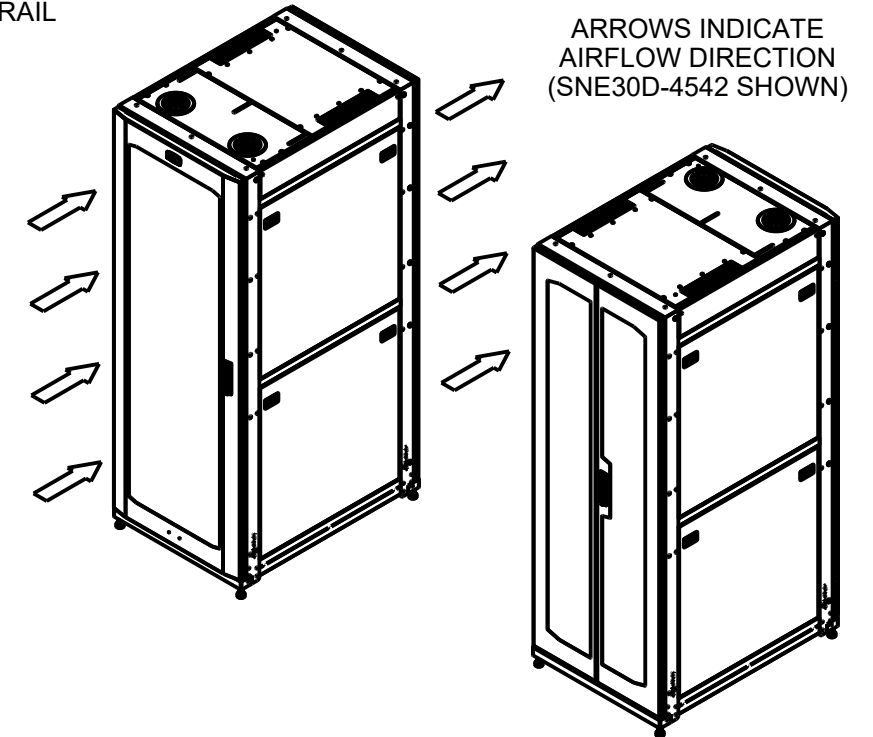


NOTES:
 1. ALL DIMENSIONS SHOWN IN FORMAT: INCHES [MM]
 2. FRONT DOOR, REAR DOORS, AND SIDE PANELS ARE KEYED THE SAME.

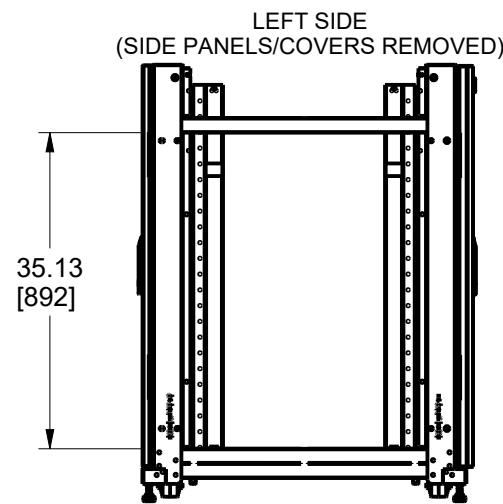
REV	DESCRIPTION	REV BY	REV DATE	APP'D BY	DATE APP.
A	PRODUCTION RELEASE	///	////	RA	12/31/21



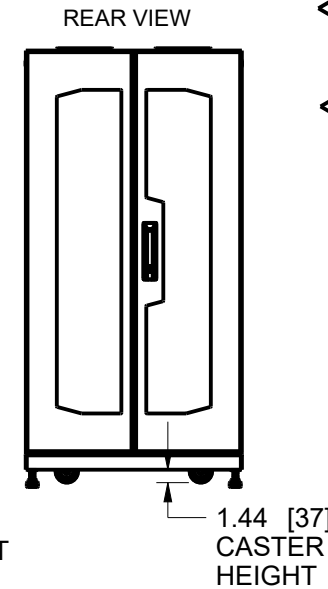
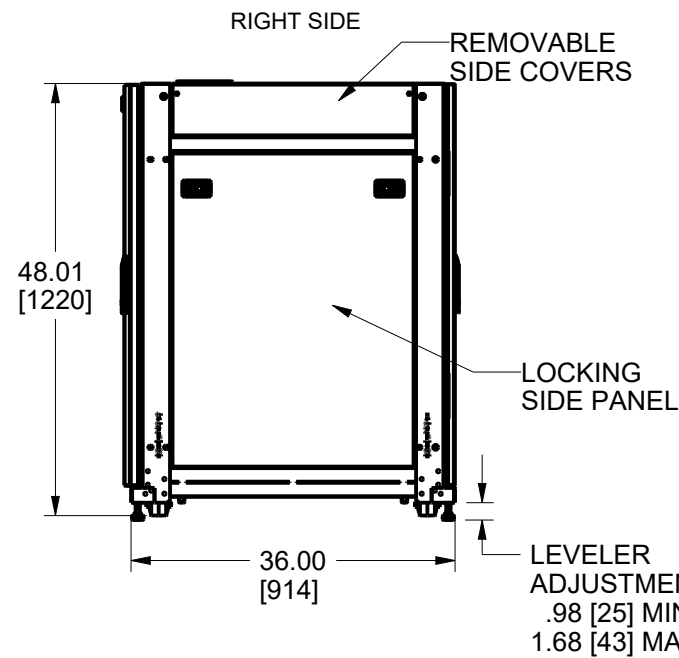
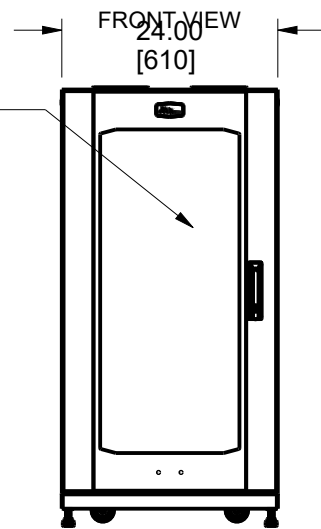
HOLES USED FOR ACCESSORY MOUNTING (FRONT AIR DAM, PLASTIC CABLE MANAGEMENT FINGERS, VERTICAL POWER STRIPS)



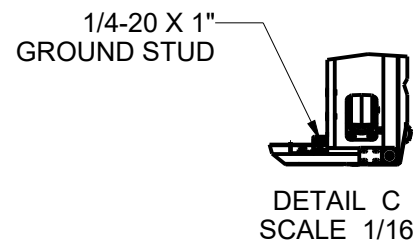
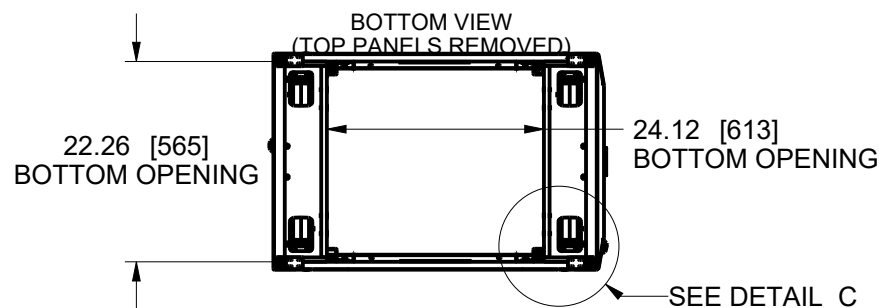
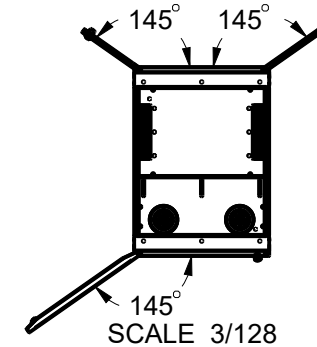
ARROWS INDICATE AIRFLOW DIRECTION (SNE30D-4542 SHOWN)



VENTED FRONT DOOR 70% OPEN AREA



FRONT/REAR DOOR(S) OPENING (SNE30D-4542-P1 SHOWN)



PROJECTION: 1" ANGLE	UNLESS OTHERWISE SPECIFIED, ALL DIMENSIONS ARE IN INCHES GENERAL TOLERANCES: DEC: 1 PLACE +/-0.1 ANGLE: +/-1° 2 PLACE +/-0.03 FRAC: +/-1/32 3 PLACE +/-0.010 HOLE SIZE: +/-0.002	APPROVALS	DATE
SCALE = 3/64		MODELED LM	03/22/13
SIZE B SHEET 1 OF 2		DRAWN SB	12/15/21

MIDDLE ATLANTIC

TITLE SNE DIGITAL ENCLOSURE

DWG NO. SNE24D-2436-P1_TECH_SPEC DWG REV A

THIS DRAWING CONTAINS TRADE INFORMATION DEEMED TO BE CONFIDENTIAL AND PROPRIETARY PROPERTY OF MIDDLE ATLANTIC PRODUCTS, INC. AND IS TO BE USED ONLY FOR THE PURPOSES FOR WHICH IT IS SUBMITTED AND FURTHER SHALL NOT BE COPIED IN WHOLE OR PART WITHOUT WRITTEN PERMISSION FIRST OBTAINED FROM MIDDLE ATLANTIC PRODUCTS, INC.

1

2

3

4

5

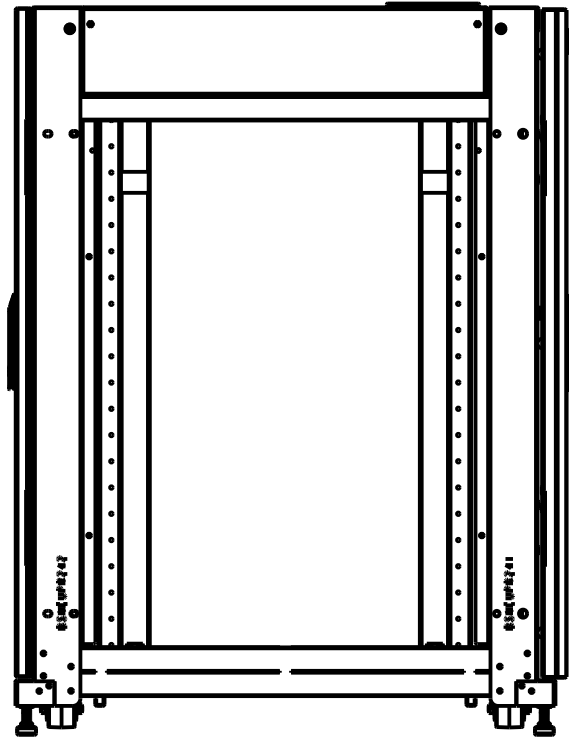
6

7

8

A

SIDE VIEW
(LEVERLOCK BRACKETS REMOVED)



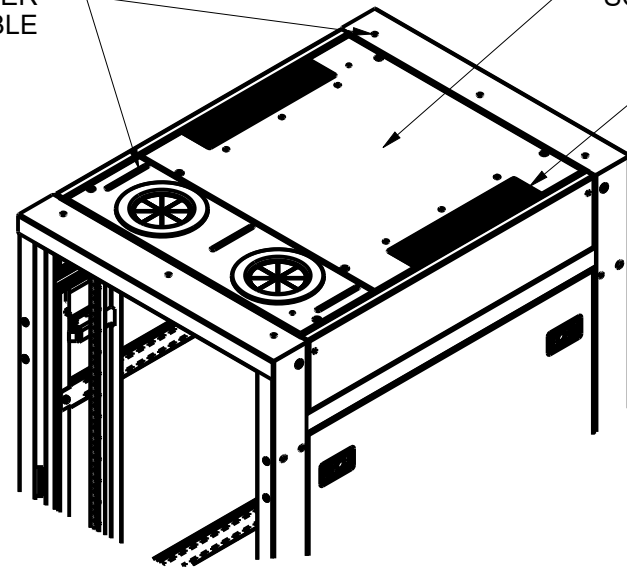
B

C

D

E

CABLE LADDER
MOUNTING AVAILABLE



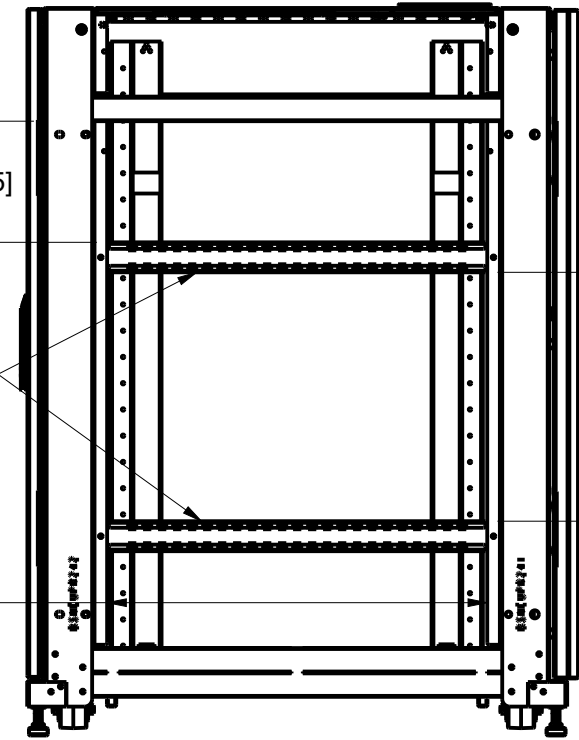
SOLID TOP SHOWN

2X 12.00 X 3.00 CABLE
OPENING

8.08 [205]

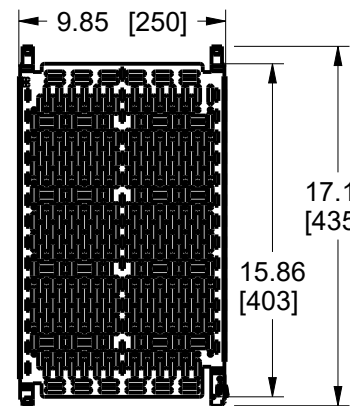
LEVERLOCK
BRACKETS

25.34 [644]
LEVERLOCK
MOUNT ACCESS



16.59 [421]
MOUNTS
21" VERTICAL
LEVERLOCK

2X .50 [13]



LEVERLOCK DETAIL
LL-VP2110 SHOWN
(2 QTY INCLUDED)
SCALE 7/64

PROJECTION: 1" ANGLE	UNLESS OTHERWISE SPECIFIED, ALL DIMENSIONS ARE IN INCHES GENERAL TOLERANCES: DEC: 1 PLACE +/-0.1 ANGLE: +/-1° 2 PLACE +/-0.03 FRAC: +/-1/32 3 PLACE +/-0.010 HOLE SIZE: +/-0.002
SCALE = 5/64	

APPROVALS	DATE
MODELED LM	03/22/13
DRAWN SB	12/15/21

SIZE B SHEET 2 OF 2

MIDDLE ATLANTIC

TITLE SNE DIGITAL ENCLOSURE

DWG NO. SNE24D-2436-P1_TECH_SPEC

DWG REV A

THIS DRAWING CONTAINS TRADE INFORMATION DEEMED TO BE CONFIDENTIAL AND PROPRIETARY PROPERTY OF MIDDLE ATLANTIC PRODUCTS, INC. AND IS TO BE USED ONLY FOR THE PURPOSES FOR WHICH IT IS SUBMITTED AND FURTHER SHALL NOT BE COPIED IN WHOLE OR PART WITHOUT WRITTEN PERMISSION FIRST OBTAINED FROM MIDDLE ATLANTIC PRODUCTS, INC.