

INSTALLATION INSTRUCTIONS

TECHPED™

TECHNICAL PEDESTAL & CONFERENCE ROOM INFRASTRUCTURE SYSTEM



THANK YOU

Thank You for purchasing The TechPed™ Technical Pedestal & Conference Room Infrastructure System. Please read these instructions thoroughly before assembling/installing this product.

PRODUCT FEATURES

- Flexible AV equipment mounting includes both Lever Lock™ plates as well as rackmount options
- Changes equipment location and shortens local wire runs

IMPORTANT SAFETY INSTRUCTIONS

- Read these instructions.
- Keep these instructions.
- Heed all warnings.
- Follow all instructions.
- Clean only with dry cloth.
- Only use attachments/accessories specified by the manufacturer.



WARNING: A WARNING ALERTS YOU TO A SITUATION THAT COULD RESULT IN SERIOUS PERSONAL INJURY OR DEATH.



CAUTION: A CAUTION ALERTS YOU TO A SITUATION THAT MAY RESULT IN MINOR PERSONAL INJURY OR DAMAGE TO THE PRODUCT AND / OR PROPERTY.

NOTE: A NOTE IS USED TO HIGHLIGHT PROCEDURES PERTAINING TO THE INSTALLATION, OPERATION OR MAINTENANCE OF THE PRODUCT.

IMPORTANT WARNINGS AND CAUTIONS!



WARNING! FAILURE TO READ, UNDERSTAND AND FOLLOW THE FOLLOWING INFORMATION CAN RESULT IN SERIOUS PERSONAL INJURY, DAMAGE TO THE EQUIPMENT OR VOIDING OF THE WARRANTY. IT IS THE RESPONSIBILITY OF THE INSTALLER/USER TO ENSURE THAT THIS PRODUCT IS INSTALLED AND USED ACCORDING TO SPECIFICATIONS.



WARNING! THE WEIGHT RATINGS OF THIS PRODUCT CAN BE FOUND IN THIS MANUAL. EXCEEDING THESE WEIGHT RATINGS CAN RESULT IN SERIOUS INJURY OR DAMAGE TO THE EQUIPMENT. IT IS THE RESPONSIBILITY OF THE INSTALLER/USER TO ENSURE ALL COMPONENTS INSTALLED DO NOT SURPASS THE WEIGHT RATINGS AS AN UNSTABLE CONDITION CAN OCCUR WHICH MAY CAUSE POSSIBLE INJURY OR DAMAGE.



CAUTION! IF THERE IS VISIBLE DAMAGE ON THE PRODUCT IT MUST NOT BE INSTALLED / USED.



CAUTION! SAFETY MEASURES MUST BE PRACTICED AT ALL TIMES DURING THE ASSEMBLY OF THIS PRODUCT. USE PROPER SAFETY EQUIPMENT AND TOOLS FOR THE ASSEMBLY PROCEDURE TO PREVENT PERSONAL INJURY.



CAUTION! FOR LOADING, ALWAYS PUT HEAVIER ITEMS AT THE BOTTOM OF THE UNIT, NOT NEAR THE TOP, IN ORDER TO HELP PREVENT THE POSSIBILITY OF THE FURNISHING TIPPING OVER.



CAUTION! THIS FURNISHING IS NOT INTENDED FOR USE BY YOUNG CHILDREN OR INFIRM PERSONS WITHOUT SUPERVISION.

WARNING: If using a single TechPed™, the base must be secured to the floor.

WARNING: Maximum overhang of 18" is recommended around the TechPed for table tops.

WARNING: If using more than one TechPed for the table system, the distance between pedestal bases should be no more than 5' 6" (66 in) (167 cm).

WEIGHT RATINGS

MODEL	WEIGHT RATING
TP-F1318	400 lbs.
TP-F1325	400 lbs.
TP-F1330	400 lbs.

TOOLS REQUIRED

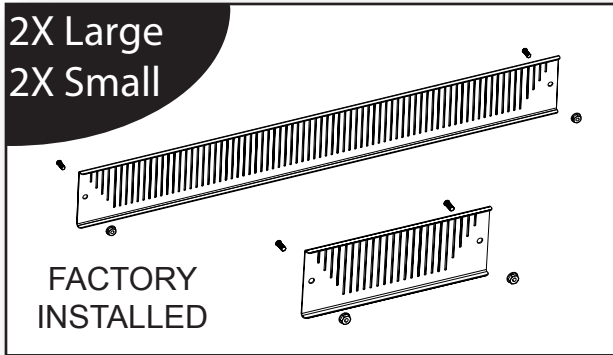
- #2 Phillips Screwdriver
- 3/8" Socket
- 7/16" Socket
- 1/2" Socket

TABLE OF CONTENTS

Important Safety Instructions.....	3
Weight Ratings.....	3
Tools Required.....	3
Vent Configuration.....	5
Tabletop Mounting Bracket Installation.....	6
Cable Tie-Off Bracket Installation.....	6
Floor Bracket Installation.....	7
Power Mounting Bracket Installation.....	7
Rack Rail Bracket Installation.....	8
Lever Lock Installation.....	9
Finishing Kit Installation.....	10
Table Top Installation.....	11

VENT CONFIGURATION

1) Remove vents as required for cabling or cable tie-off brackets. (**FIGURE A and FIGURE B**)



HARDWARE ITEMS:

- Large Vent (2)
- Small Vent (2)
- PEM Stud 10-32 x 1/2" (8)
- Nuts 10-32 (8)

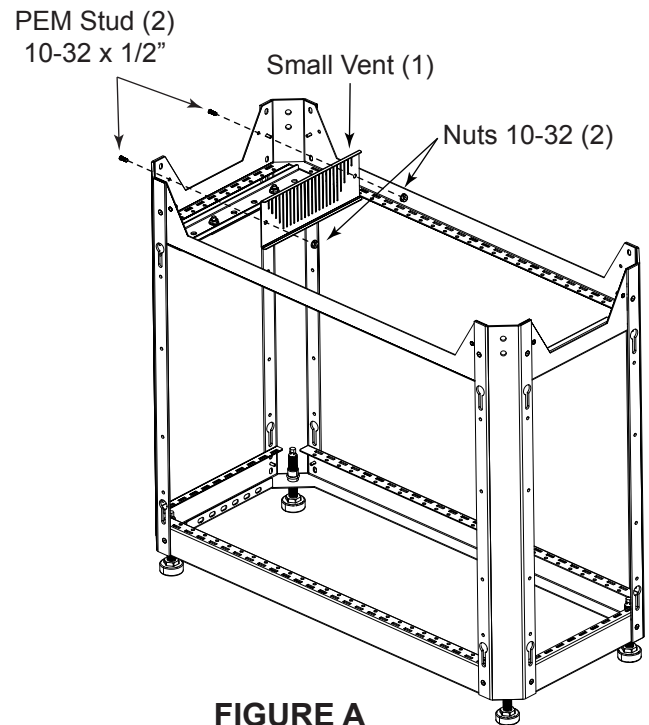


FIGURE A
(Tabletop mounting brackets removed for clarity)

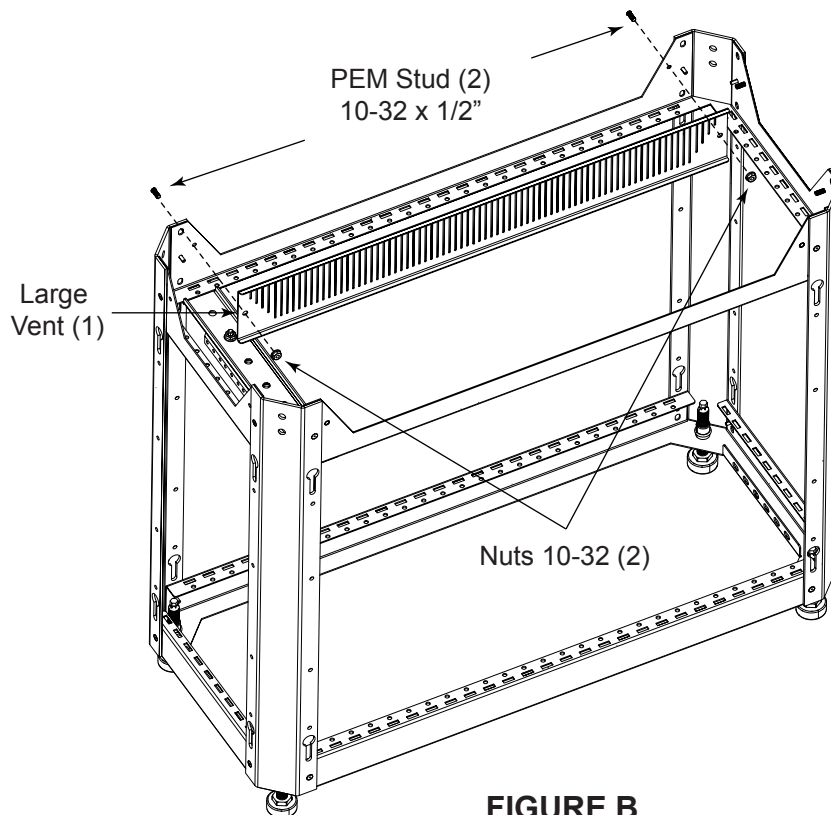
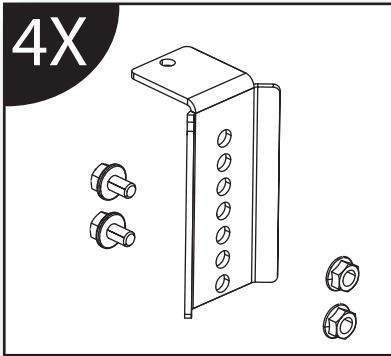


FIGURE B
(Tabletop mounting brackets removed for clarity)

TABLETOP MOUNTING BRACKET INSTALLATION

1) Install tabletop mounting brackets to desired height. **(FIGURE C)**

NOTE: Up to 2" of table height adjustment is available in 1/2" increments. Be sure that tabletop mounting brackets are of equal height and level before continuing.



HARDWARE ITEMS:

- Tabletop Mounting Brackets (4)
- Screws 5/16" x 1/2" (8)
- Nuts 5/16" (8)

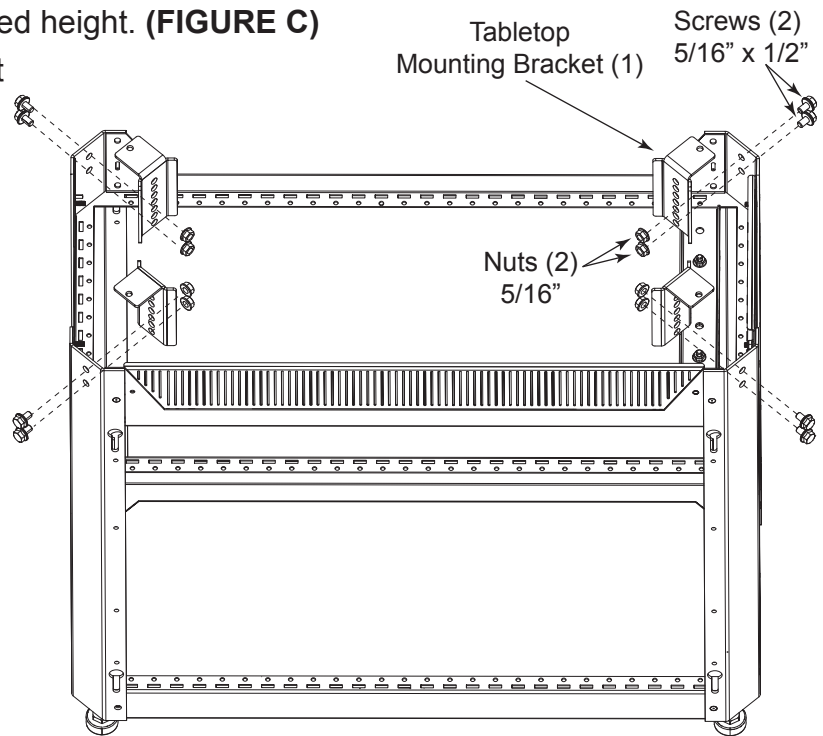
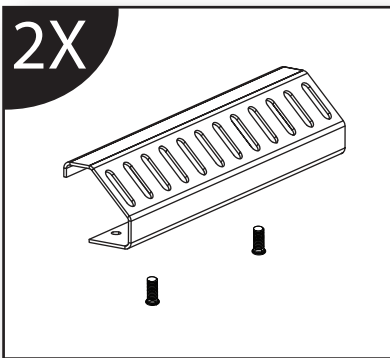


FIGURE C

CABLE TIE-OFF BRACKET INSTALLATION

1) Position cable tie-off brackets as required and install as shown. **(FIGURE D)**

NOTE: Cable tie-off brackets can install anywhere along top flanges (Requires vent removal for installation - refer to Vent Configuration on page 5).



HARDWARE ITEMS:

- Cable Tie-Off Brackets (2)
- Screws 8-32 x 5/16" (4)

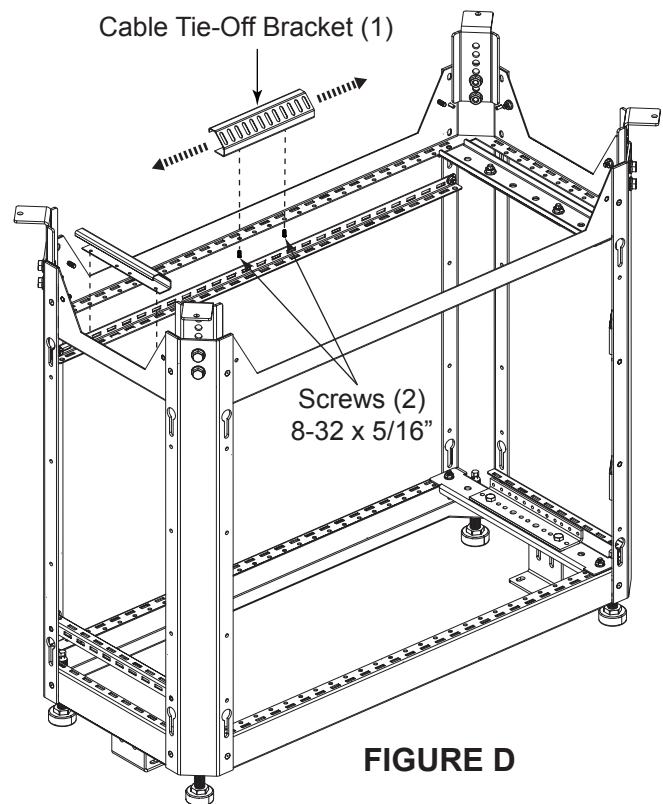


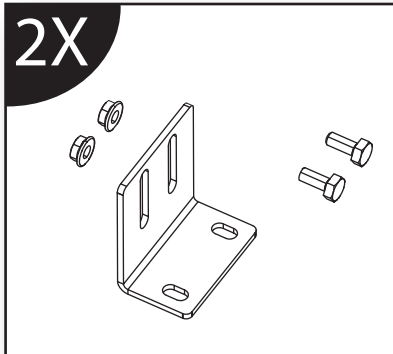
FIGURE D

FLOOR BRACKET INSTALLATION

1) Position floor brackets as required and install as shown. **(FIGURE E)**

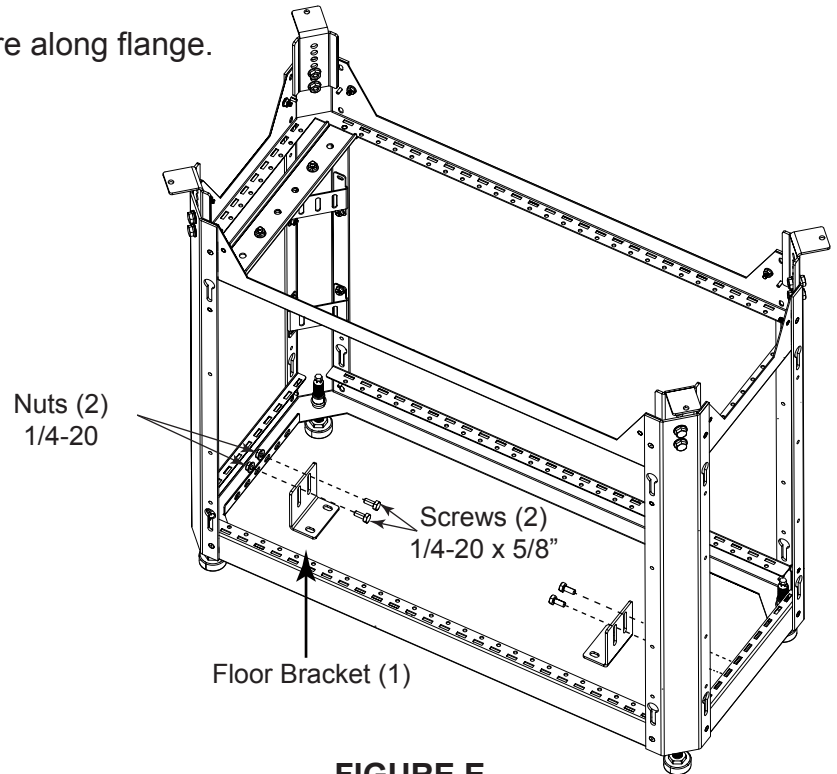
NOTE: Install when floor mounting is required (e.g. single pedestal applications).

NOTE: Brackets can be mounted anywhere along flange.



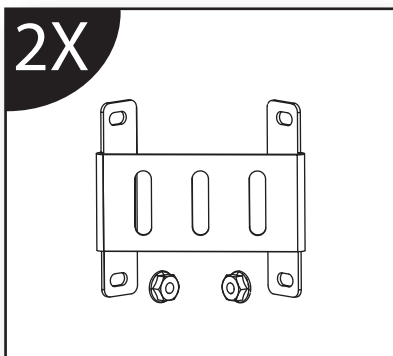
HARDWARE ITEMS:

- Floor Brackets (2)
- Screws 1/4"-20 x 5/8" (4)
- Nuts 1/4"-20 (4)



POWER MOUNTING BRACKET INSTALLATION

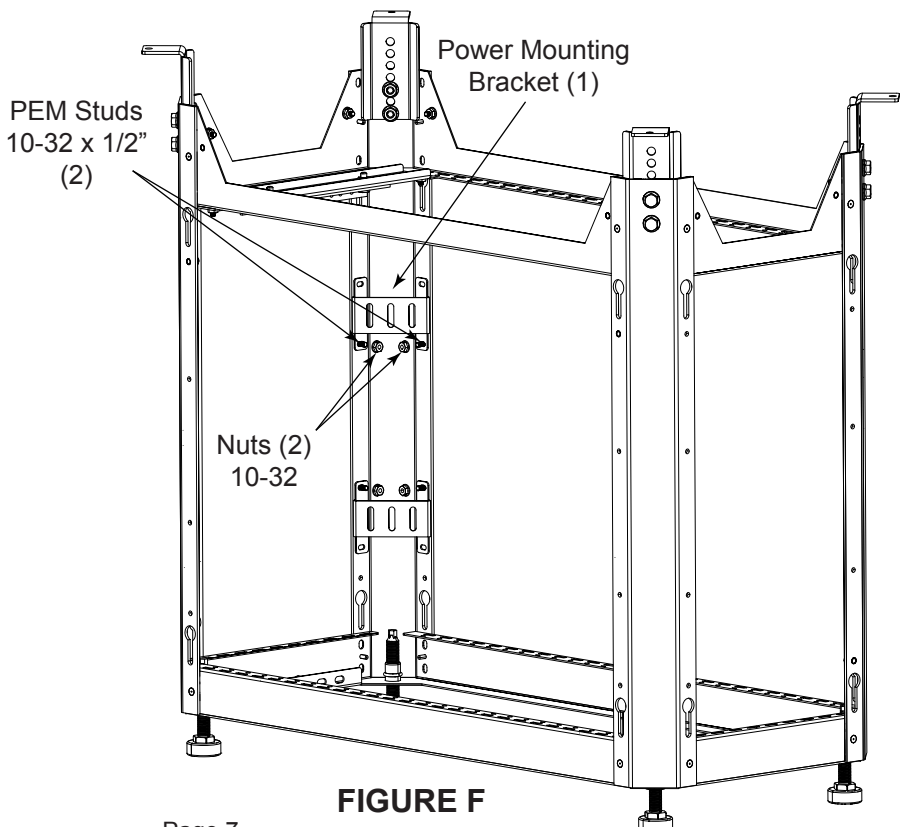
1) Position power mounting brackets as required and install as shown. **(FIGURE F)**



HARDWARE ITEMS:

- Power Mounting Brackets (2)
- PEM Studs 10-32 x 1/2" (4)
- Nuts 10-32 (4)

Note: Optimized for Middle Atlantic PD-815 Series Vertical Power Strips

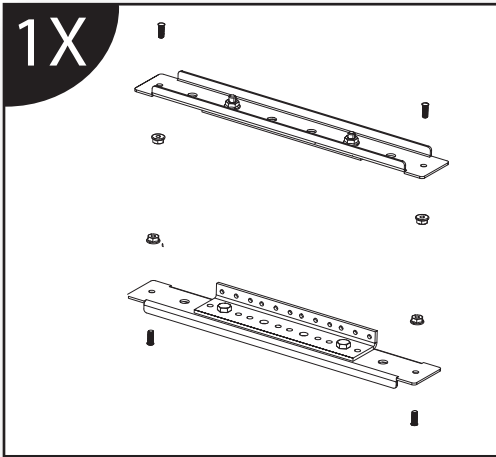


RACK RAIL BRACKET INSTALLATION

1) Install rack rail brackets as required. (FIGURE G)

NOTE: Rack rail brackets may be installed anywhere along length of pedestal.

NOTE: Table top boxes may interfere with rack mounted equipment.



HARDWARE ITEMS:

- Rack Rail Brackets (2)
- Studs 10-32 (4)
- Nuts 10-32 (4)

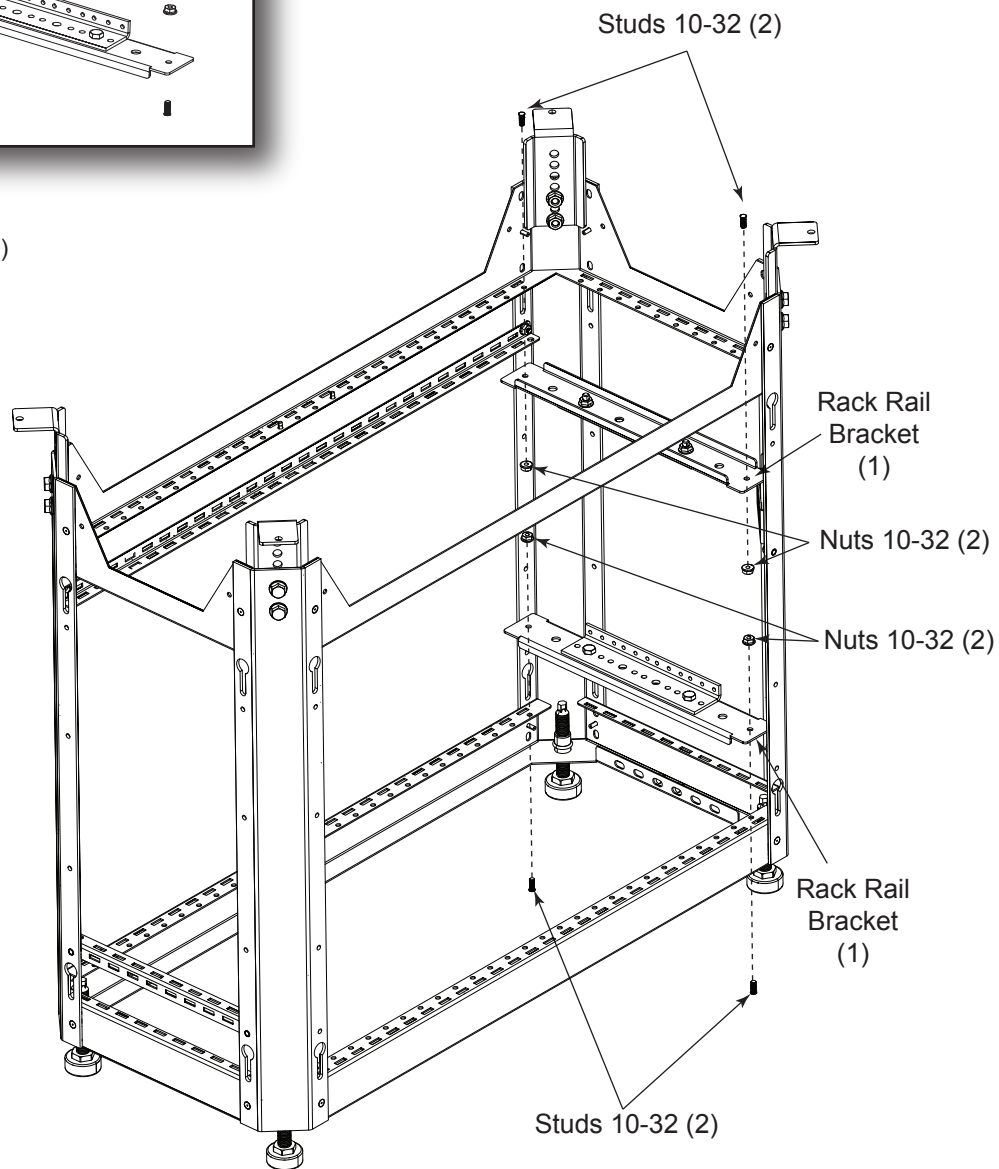
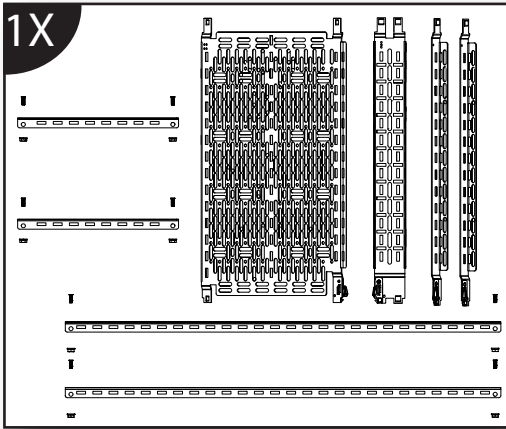


FIGURE G

LEVER LOCK™ INSTALLATION



HARDWARE ITEMS:

- LL-VP2110 Lever Lock Vertical 10" Deep Plate (Large) (1)
- LL-VC21 Lever Lock Horizontal Channel (1)
- LL-VA21 Lever Lock Angle Channel (2)
- Lever Lock Vertical Plate (Small) (1)
- Large Horizontal Lever Lock Bracket (2)
- Small Horizontal Lever Lock Bracket (2)
- PEM Studs 10-32 x 1/2" (8)
- Nuts 10-32 (8)

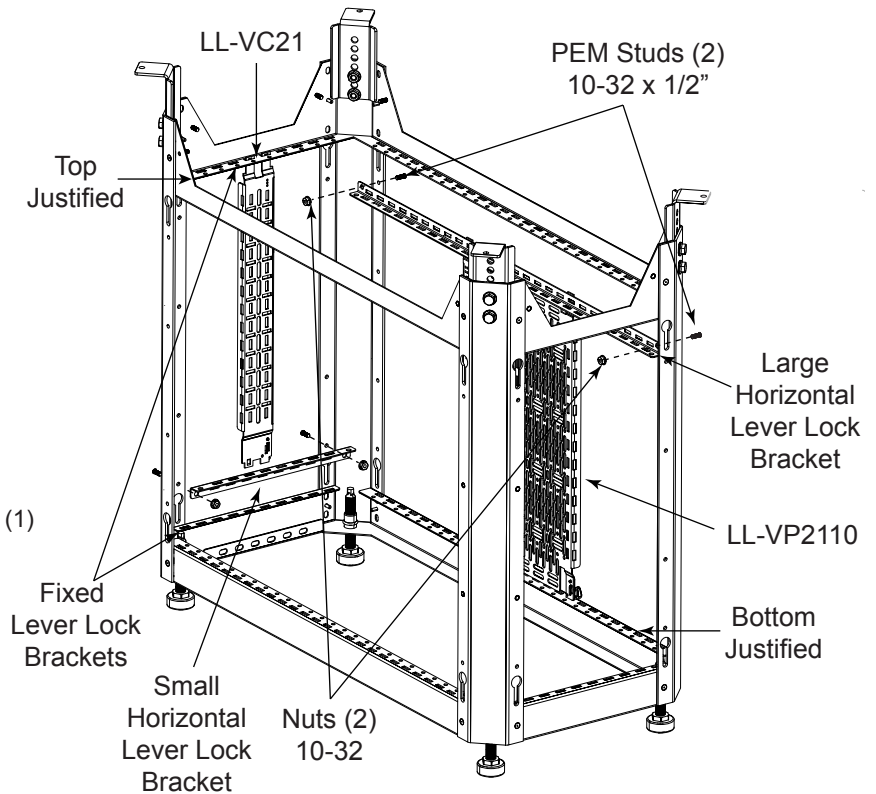


FIGURE H

Lever Lock™ Plate Installation / Configuration

- 1) Install Lever Lock brackets as required. **(FIGURE H)**

NOTE: Brackets may be installed to top or bottom justify Lever Lock brackets in TechPed frame.

- 2) Insert Lever Lock plate / channel into mating slots in upper horizontal bracket. Ensure the lock mechanism is facing the bottom of the rack. **(FIGURE I)**

NOTE: Position flanges to outside of unit to maximize usability.

- 3) Insert lock mechanism into mating slots in lower horizontal bracket until you hear a clicking sound. **(FIGURE J)**

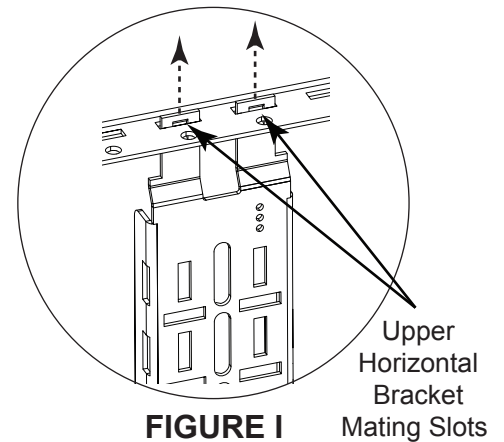


FIGURE I

Locking Rivet Installation

- 1) Install plastic locking rivet into inner holes as shown to prevent locking mechanism from disengaging. **(FIGURE K)**

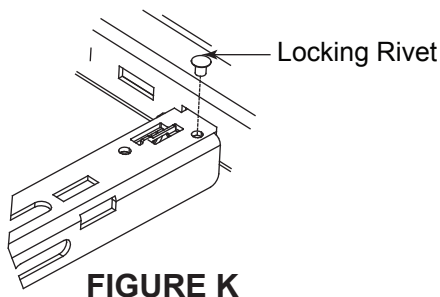


FIGURE K

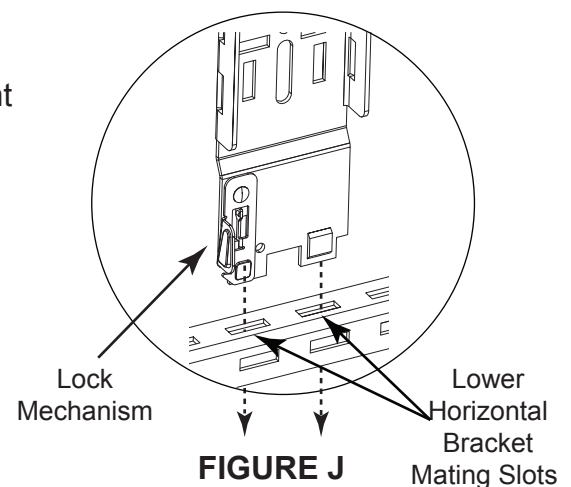
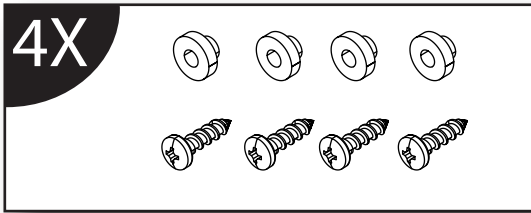


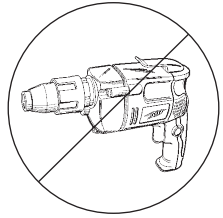
FIGURE J

FINISHING KIT INSTALLATION



HARDWARE ITEMS:

- #10 Wood Screws (16)
- Shoulder Washer (16 + 8 extra washers)



NOTE: Do not use power driver for this step.

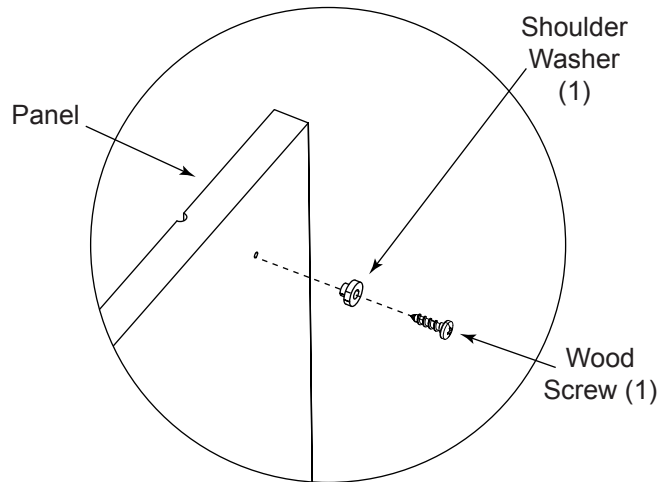


FIGURE L

- 1) Using a phillips-head screwdriver, carefully install (4) screws and (4) shoulder washers on each panel, ensuring that washers do not crush. **(FIGURE L)**

NOTE: Do not overtighten. Washers should spin freely.

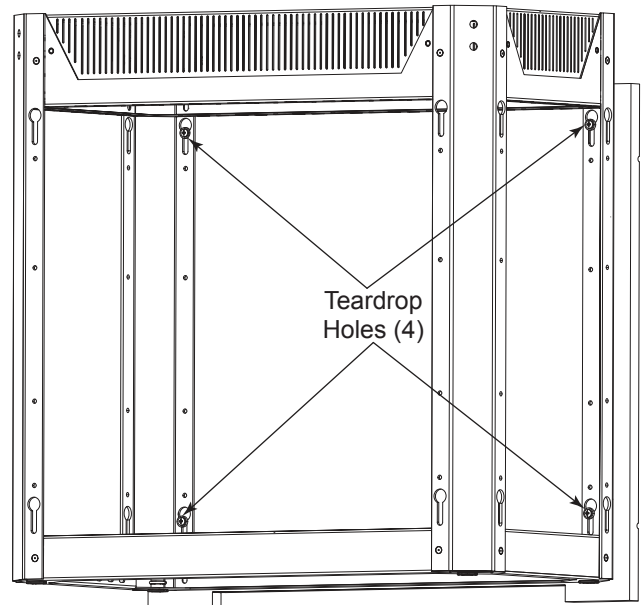


FIGURE M

- 2) Hang panels on TechPed, engaging shoulder washers into keyholes in TechPed frame. **(FIGURE M, FIGURE N)**

NOTE: Teardrop holes in frame allow up to 1" of travel for side panels to rest on floor.

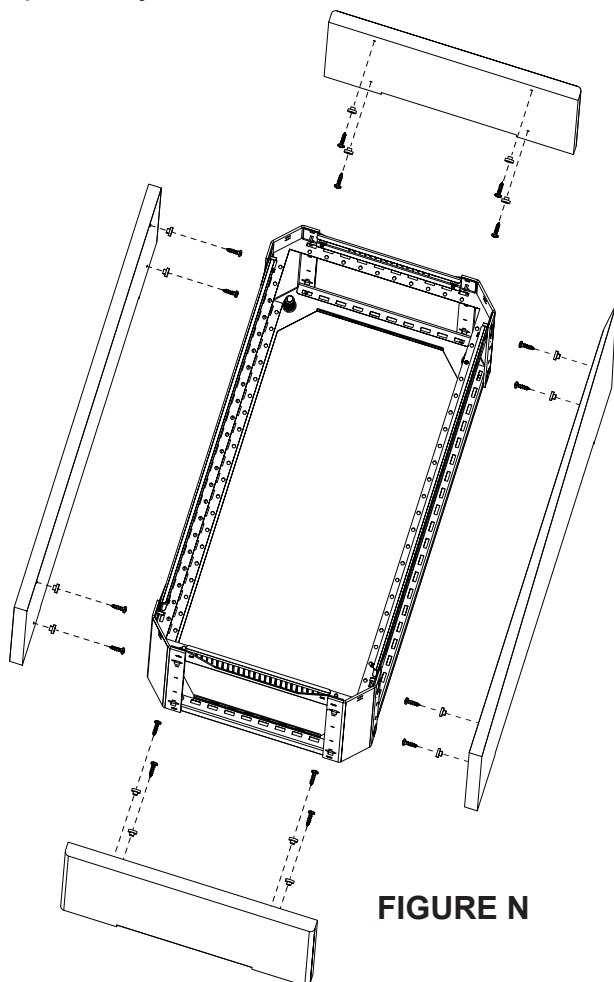


TABLE TOP INSTALLATION

1) Use supplied template to mark pilot holes in table top for alignment clips. **(FIGURE O)**

NOTE: Use (4) clips per TechPed.

2) Install alignment clips as shown (mounting hardware not supplied). **(FIGURE P)**

3) Align table top using alignment clips as guides and secure table top to TechPed (mounting hardware not supplied). **(FIGURE P)**

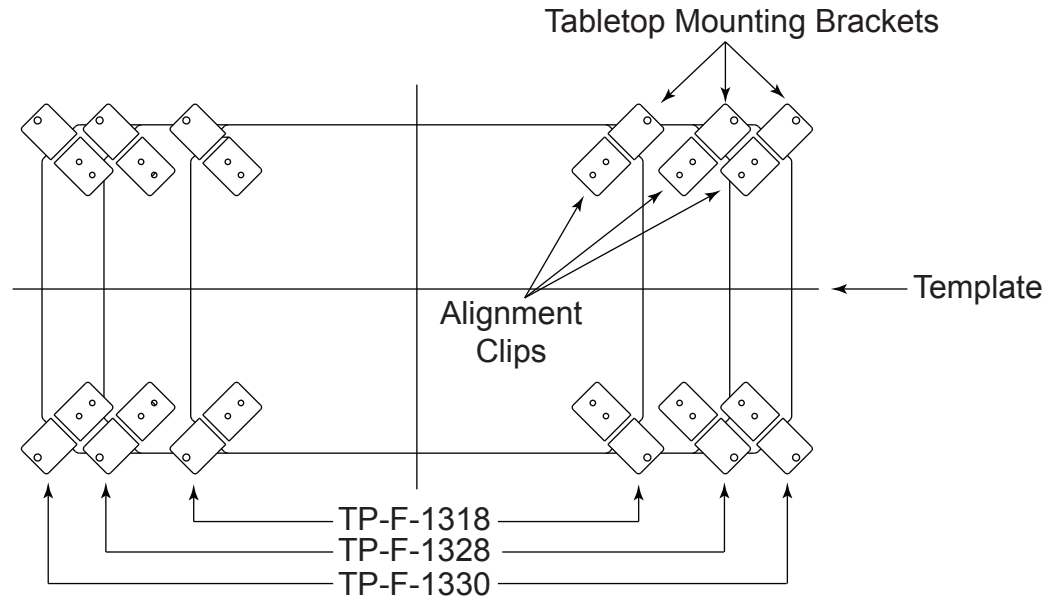


FIGURE O

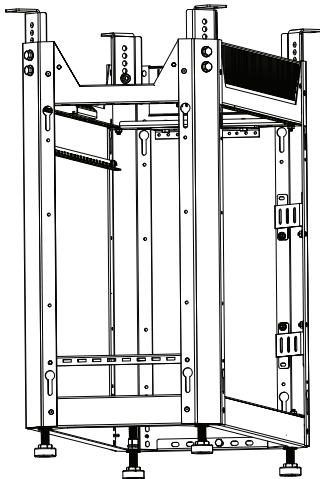
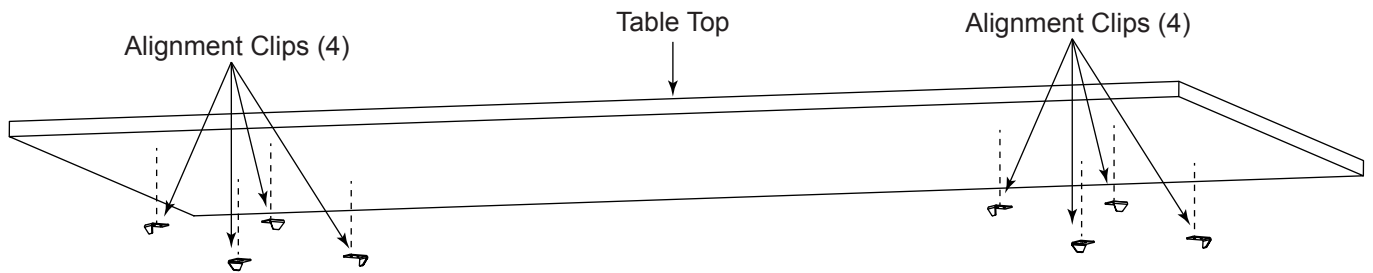
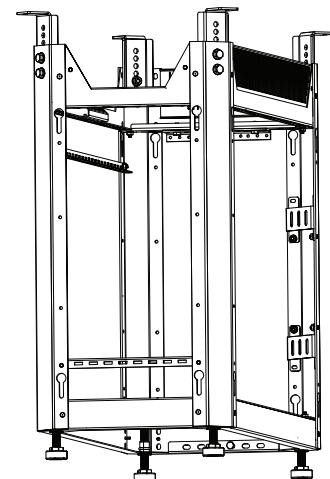


FIGURE P
(Two TechPeds Shown)





Middle Atlantic Products

what great systems are built on™

middleatlantic.com ■ 800.266.7225

WARRANTY

Middle Atlantic Products (the "Company") warrants the TechPed Technical Pedestal & Conference Room Infrastructure System to be free from defects in material or workmanship under normal use and conditions for the lifetime of the product.

The Company's entire liability to the purchaser, and the purchaser's (or any other party's) sole and exclusive remedy, under this warranty shall be limited, at the Company's option, to either (a) return of and refund of the price paid for, or (b) repair or replacement at the Company's factory of the products purchased, or any part or parts thereof, which the Company has determined to be defective after inspection thereof at the Company's factory.

This warranty does not cover damage due to acts of God, accident, misuse, abuse or negligence by parties other than the Company, or any modification or alteration of the products. In addition, this warranty does not cover damage due to improper handling, assembly, installation or maintenance.

THIS WARRANTY IS IN LIEU OF ALL OTHER WARRANTIES OF ANY KIND, EITHER EXPRESSED OR IMPLIED, INCLUDING, BUT NOT LIMITED TO, IMPLIED WARRANTIES OF MERCHANTABILITY AND FITNESS FOR A PARTICULAR PURPOSE.

TO THE MAXIMUM EXTENT PERMITTED BY APPLICABLE LAW, IN NO EVENT SHALL THE COMPANY BE LIABLE FOR ANY SPECIAL, INCIDENTAL, INDIRECT, OR CONSEQUENTIAL DAMAGES WHATSOEVER (INCLUDING, WITHOUT LIMITATION, DAMAGES FOR LOSS OF BUSINESS PROFITS, BUSINESS INTERRUPTION OR ANY OTHER PECUNIARY LOSS) ARISING OUT OF THE USE OF THE PRODUCTS PURCHASED, EVEN IF THE COMPANY HAS BEEN ADVISED OF THE POSSIBILITY OF SUCH DAMAGES. THE COMPANY'S LIABILITY TO THE PURCHASER (OR ANY OTHER PARTY) HEREUNDER, IF ANY, SHALL IN NO EVENT EXCEED THE PURCHASE PRICE OF THE PRODUCTS PAID TO THE COMPANY.

Corporate Headquarters

Corporate Voice 973-839-1011 - Fax 973-839-1976 / International Voice +1 973-839-8821 - Fax +1 973-839-4982
middleatlantic.com - info@middleatlantic.com

Middle Atlantic Canada

Voice 613-836-2501 - Fax 613-836-2690 / middleatlantic.ca - customerservicecanada@middleatlantic.ca

Factory Distribution

USA: NJ - CA - IL Canada: ON - BC

At Middle Atlantic Products we are always listening. Your comments are welcome.

Middle Atlantic Products is an ISO 9001 and ISO 14001 Registered Company.