

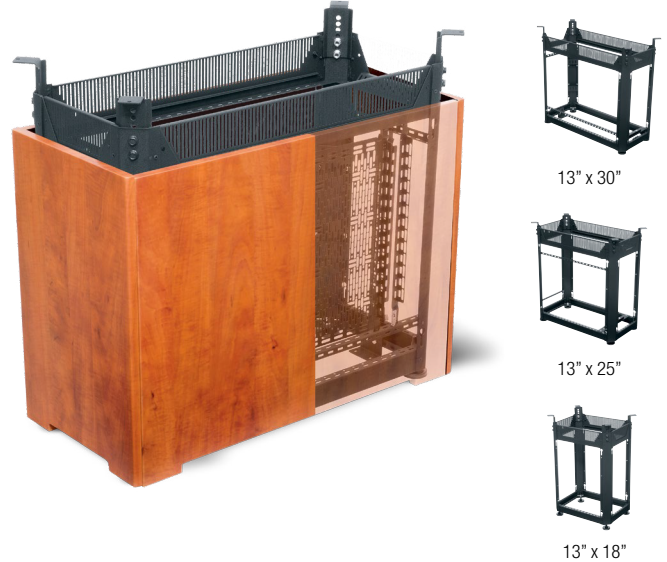
TechPed™ Series

technology pedestal

simple to integrate, easy to service solution ideal for conference rooms & collaboration spaces to meet market demands for localized, discrete equipment mounting & cable management

features:

- Conference table support system designed to house electronics and cables; engineered to maximize space and promote proper thermal and cable management.
- Frame to Furniture™ design complements an integrator's installation workflow
 - Frames are in stock guaranteeing quick delivery while allowing the integrator to immediately start the installation. The custom finishing kit is manufactured to order.
- Removable side panels provide effortless access for initial install and on-going maintenance
- Available in a spectrum of finishes to match any meeting room décor
- Patent pending Lever Lock™ accessories maximize rack space and cable management options within the vertical, side channel of the pedestal
- Built-in mounting for optional power strip
- Designed to maximize airflow with built-in passive thermal management
- Height adjustable
- Works as a stand-alone unit or as an active table support
- 3 sizes available



specifications:

Conference Table Support System shall be Middle Atlantic Products TechPed™ series, model # TP-F13__ (refer to chart). TechPed™ steel frame shall be 25.58”H x 13.25” W x __”D (refer to chart). TechPed™ Series shall be adjustable from 26 ½” to 29 ½” in overall height. TechPed™ Series shall be constructed of welded steel, with a maximum weight capacity of 400 lbs. per pedestal. TechPed™ Series shall be coated with a fingerprint resistant textured black powder coat. TechPed™ Series shall provide passive ventilation. TechPed™ Series shall have provisions for electronics mounting and cable management, using included Lever Lock™ cable management accessories (one 10” wide vertical panel, two .8” wide vertical panels and one 1.94” wide vertical panel included). TechPed™ Series shall include a 4 rackspace mounting area. TechPed™ Series shall accommodate vertical power strips, 15.5” or less in height. TechPed™ Series finishing kit TP-K13__ (refer to chart) shall be constructed of 3/4” triple refined MDF and be easily removable for installation and servicing. Finishing kit shall be available in a thermolaminate material, visit middleatlantic.com for list of available finishes. TechPed™ Series and all components shall be GREENGUARD Gold Certified. TechPed™ Series shall be manufactured by an ISO 9001 and ISO 14001 registered company. Steel Components shall be warranted to be free from defects in material or workmanship under normal use and conditions for the lifetime of the product. Thermolaminate components shall be warranted to be free from defects in material or workmanship under normal use and conditions for a period of 7 years.

Customizable specification clips available at middleatlantic.com



PRODUCT CERTIFIED FOR
LOW CHEMICAL EMISSIONS
UL.COM/GG
UL 2818

options:

- Cable Retractor Bracket for 25” deep frames (not required on 30” depth frames) shall be TP-CR-BKT
- Additional Lever Lock™ tool-free internal management system, vertical 21” length, can be added, model # LL-__21, refer to middleatlantic.com for details
- Plastic medium density cable management system shall be Wiremold UTCM5 Under Table Cable Management System. System shall consist of a 5” wide divided base, 5’ length of mounting hinge rail and four (4) latching clips, black, nonmetallic construction, of extruded ABS plastic
- Aluminum high-density cable management system shall be Middle Atlantic TCCH-M-5. System shall consist of a 9 ½” wide series of channels, affixed to a single runner, which will hinge open for unrestricted access to the cables. Chases shall have a minimum of four 3” “L shaped” carriers in which multiple groups of cables will reside. Chases will be provided as 5’ lengths, to be cut to size in the field for specific lengths between pedestals
- Millwork kit shall be model # TP-MK1

what **great systems** are built on.™

A brand of **legrand**

Middle Atlantic Products
middleatlantic.com | middleatlantic.com

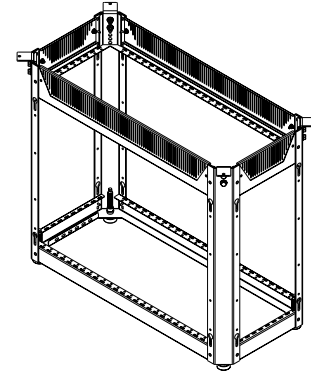
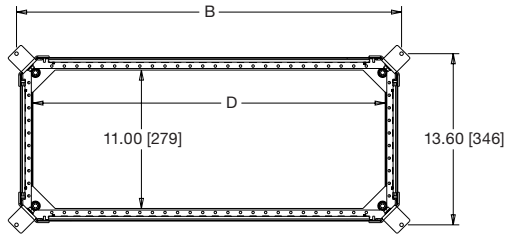
96-01182 / rev d / 5-28-20

TechPed™ Series

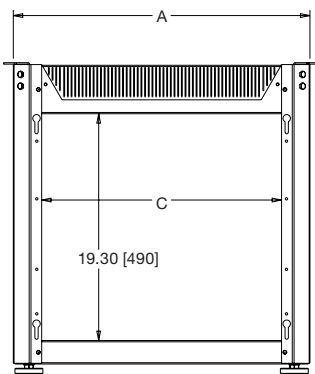
basic dimensions

all dimensions in inches unless otherwise noted [all dimensions in brackets are in millimeters]

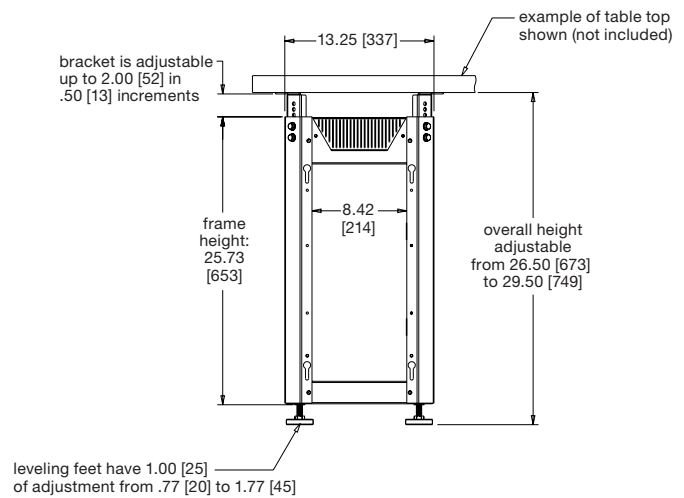
top view



side view



front view



Part #	frame			
	"A" Frame Depth	"B" Mounting Hole Distance	"C" Side Opening Depth	"D" Bottom Opening Depth
TP-F1318	18.25 [464]	18.60 [473]	13.42 [341]	16.00 [406]
TP-F1325	25.25 [641]	25.60 [650]	20.42 [519]	23.00 [584]
TP-F1330	30.25 [768]	30.60 [777]	25.42 [646]	28.00 [711]

what **great systems** are built on.™

A brand of **legrand**



Middle Atlantic Products

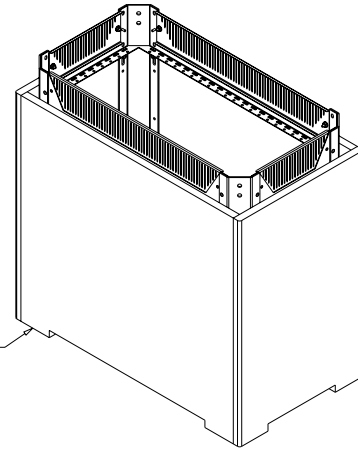
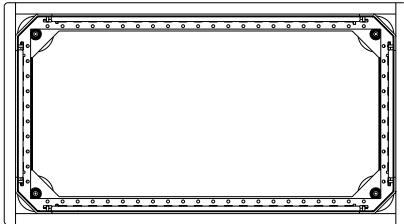
middleatlantic.com | middleatlantic.ca

TechPed™ Series

basic dimensions

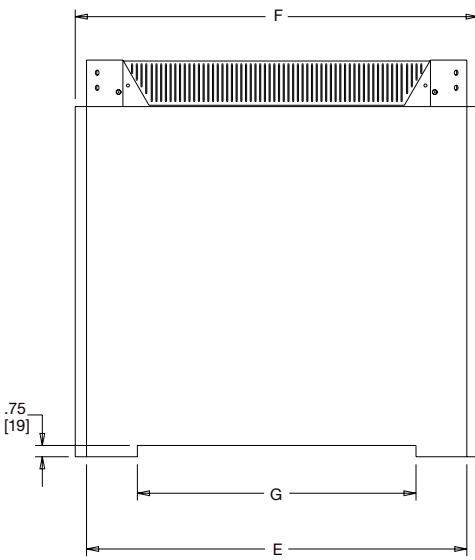
all dimensions in inches unless otherwise noted [all dimensions in brackets are in millimeters]

top view

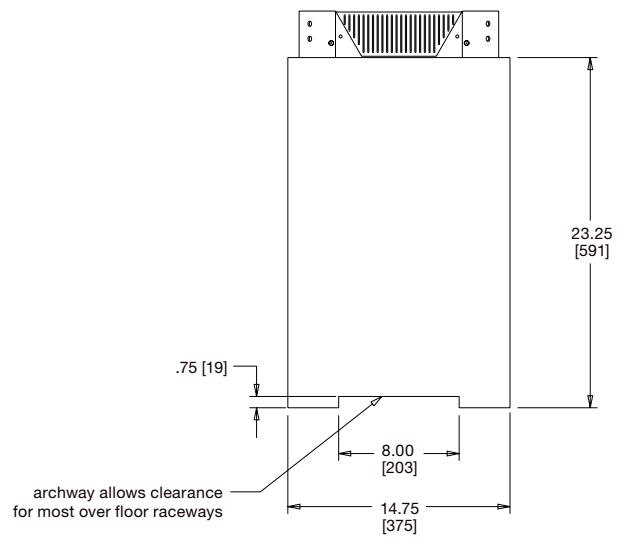


side panels rest on floor and allow for 1.00 [25] of height adjustment

side view



front view



archway allows clearance for most over floor raceways

finishing kit

Part #	"E" Side Panel Depth	"F" Overall Depth	"G" Opening
TP-K1318	19.00 [483]	20.50 [521]	12.25 [311]
TP-K1325	26.00 [660]	27.50 [699]	19.25 [489]
TP-K1330	31.00 [787]	32.50 [826]	24.25 [616]

what **great systems** are built on.™

A brand of **legrand**



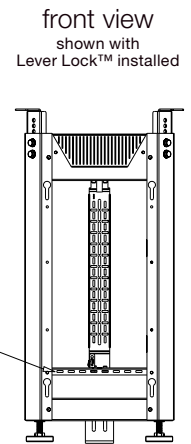
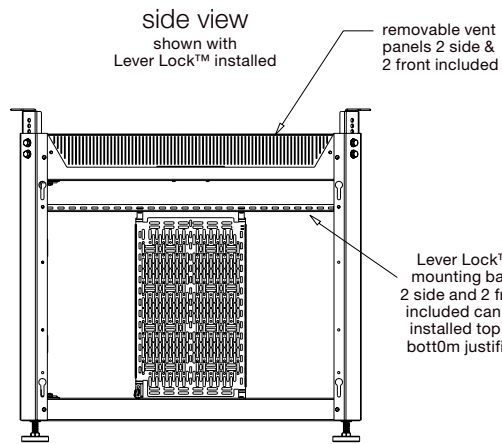
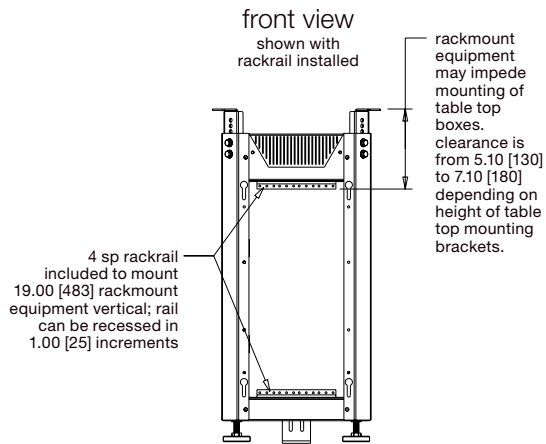
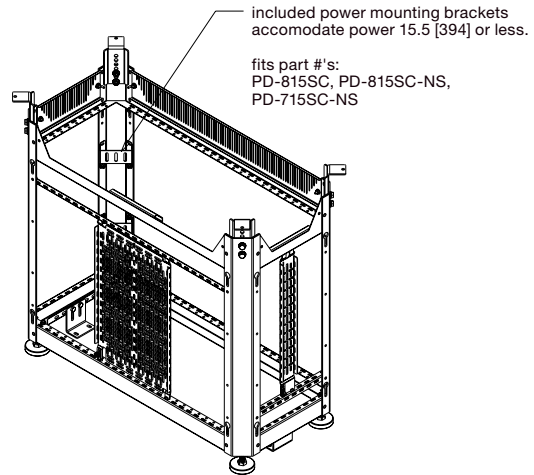
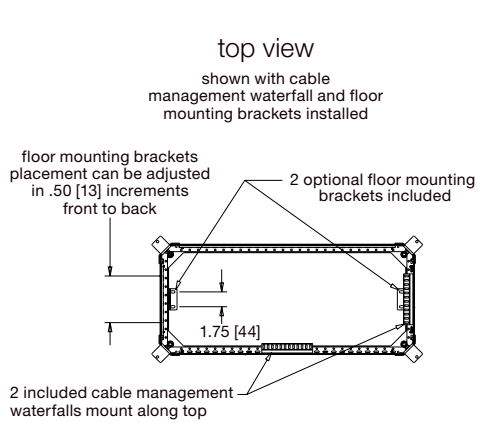
Middle Atlantic Products

middieatlantic.com | middieatlantic.ca

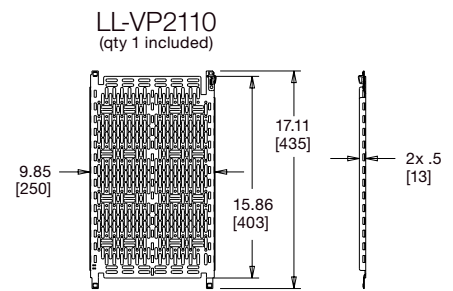
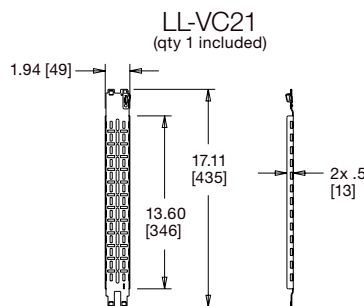
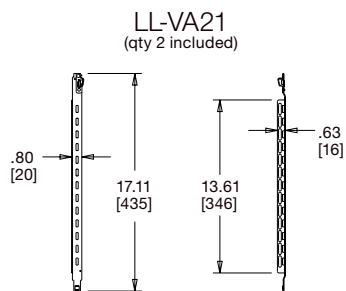
TechPed™ Series

basic dimensions

all dimensions in inches unless otherwise noted [all dimensions in brackets are in millimeters]



Lever Lock™



what **great systems** are built on.™

A brand of **legrand**

Middle Atlantic Products

middleatlantic.com | middleatlantic.ca