



Middle Atlantic Products

EXCEPTIONAL SUPPORT & PROTECTION™

SPM Series



EIA/TIA Compliant

Versa-Rack Sideways Panel Mount
Mount hubs and other network components flat against the wall or under tables or desks, with our innovative steel sideways panel mounts

Features

- Provides low-profile wall-mounting for deep hubs and routers
- Includes steel top cover
- Abundant cable lacing points provided in the rear
- Available in two racking heights: 2 and 4 spaces
- Includes pre-installed 11-gauge, 10-32 threaded rackrail
- Three position rackrail mounting allows for cable managers or flush equipment mounting
- Durable black powder coat finish



SPM-4
(shown with cover removed)

Architects' and Engineers' Specifications

EIA/ITA compliant 19" Low-profile wallmount rack shall be Middle Atlantic Products part # _____ (SPM-2, SPM-4) with ___ (2,4) useable rackspace. Rack shall have three position adjustable rackrail to allow for three combinations of front clearance and useable depth. Rackrail can be set flush with front of rack which allows a full 19" of component depth, 1.5" from the front for 17.5" of component depth, or 3" from the front for 16" of component depth. Rack shall be constructed of phosphate pre-treated 16-gauge steel finished in a durable black powder coat. Rack shall be GREENGUARD Indoor Air Quality Certified for Children and Schools. Rack shall be manufactured by an ISO 9001 and ISO 14001 registered company. Rack shall be warrantied to be free from defects in material or workmanship under normal use and conditions for the lifetime of the rack.

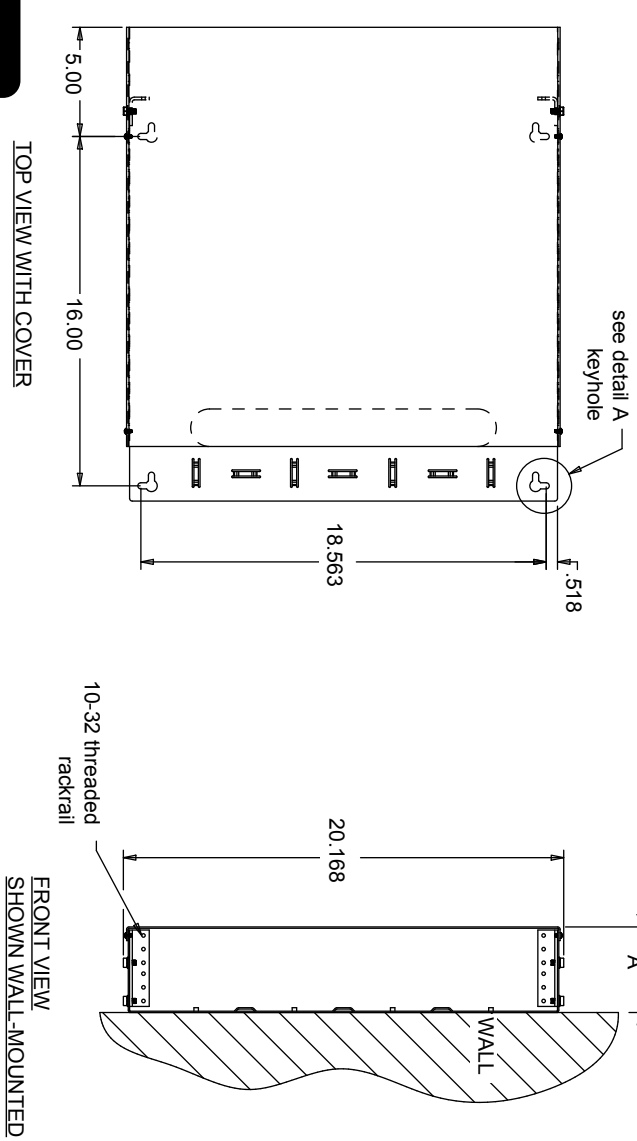
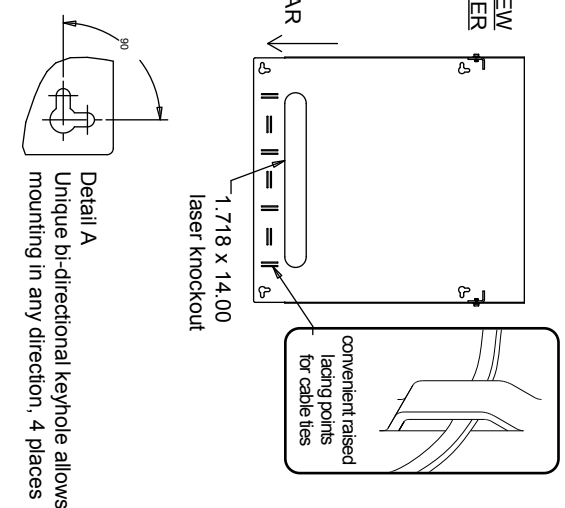
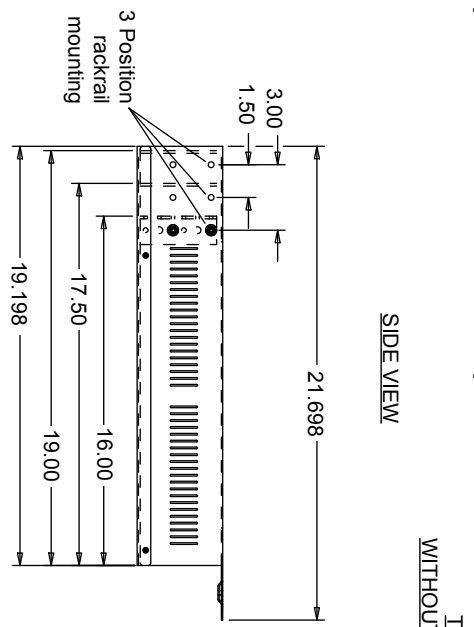
WEIGHT CAPACITY

SPM-2	50 lbs.
SPM-4	40 lbs.

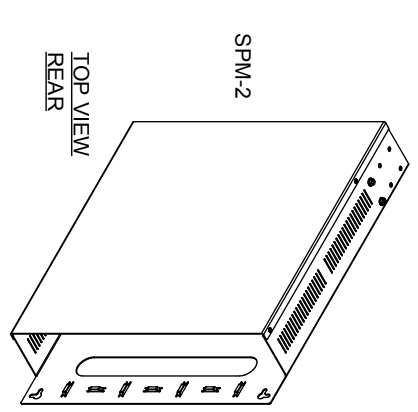
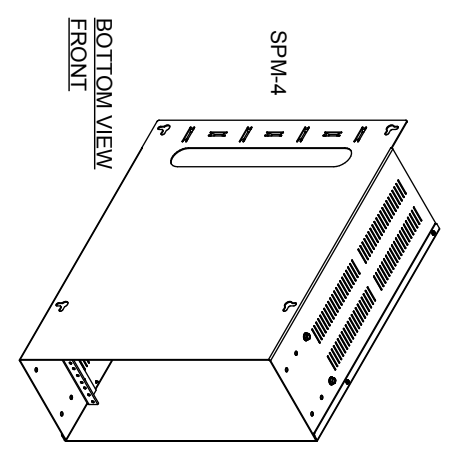
CUSTOMIZABLE SPECIFICATION CLIPS AVAILABLE AT MIDDLEATLANTIC.COM

SPM Series basic dimensions

All dimensions in inches unless otherwise noted
 [All dimensions in brackets are in millimeters]



3-D ANGLED VIEWS



POSITION	FRONT RAIL SETBACK	USEABLE DEPTH
1	0"	19"
2	1.5"	17.5"
3	3"	16"

	OVERALL HEIGHT "A"	RACKING HEIGHT
SPM-2	3.97"	3.50" (2 SPACES)
SPM-4	7.42"	7.00" (4 SPACES)

