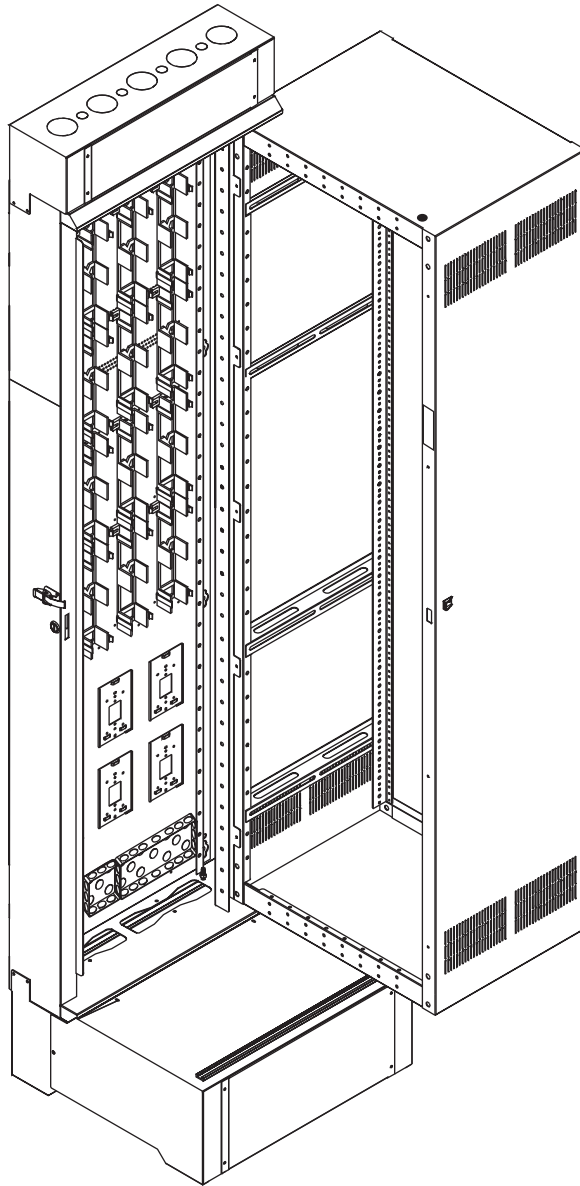


INSTRUCTION SHEET
SDWR SERIES
SIMPLEX WALL RACK

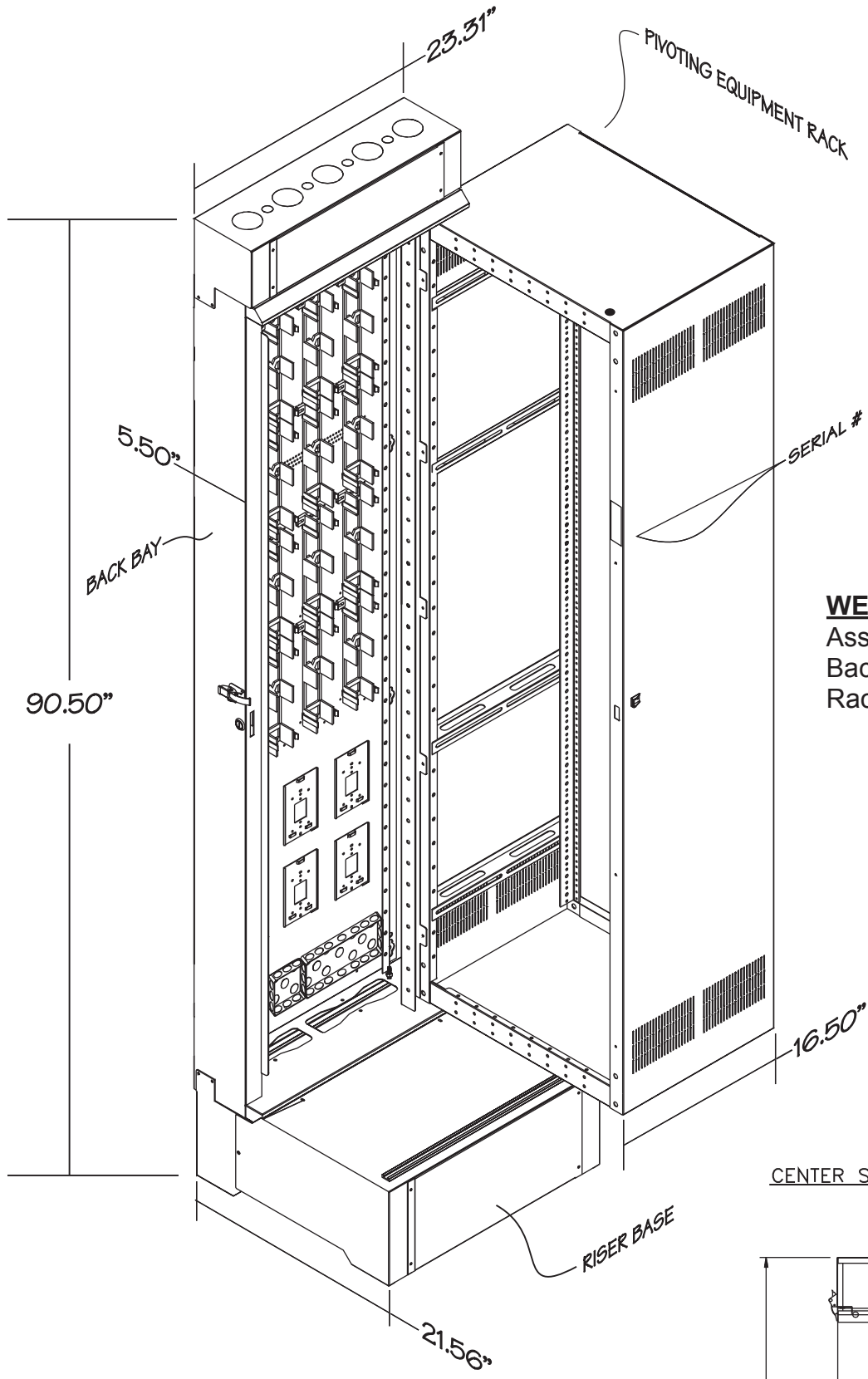


Thank you for purchasing the SIMPLEX WALLRACK. Please read these instructions thoroughly before installing / assembling this product.

PRODUCT FEATURES

- Tall wall rack pivots on floor base for easy equipment access
- Tool-free Quick-Mount™ system simplifies mounting of the center section to the backpan
- Zero Clearance Latch allows side-by-side or interior corner mounting

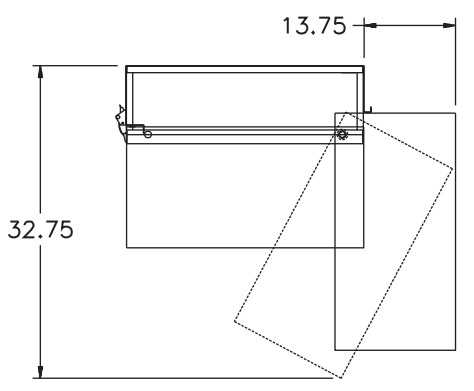
SPECIFICATION



WEIGHTS

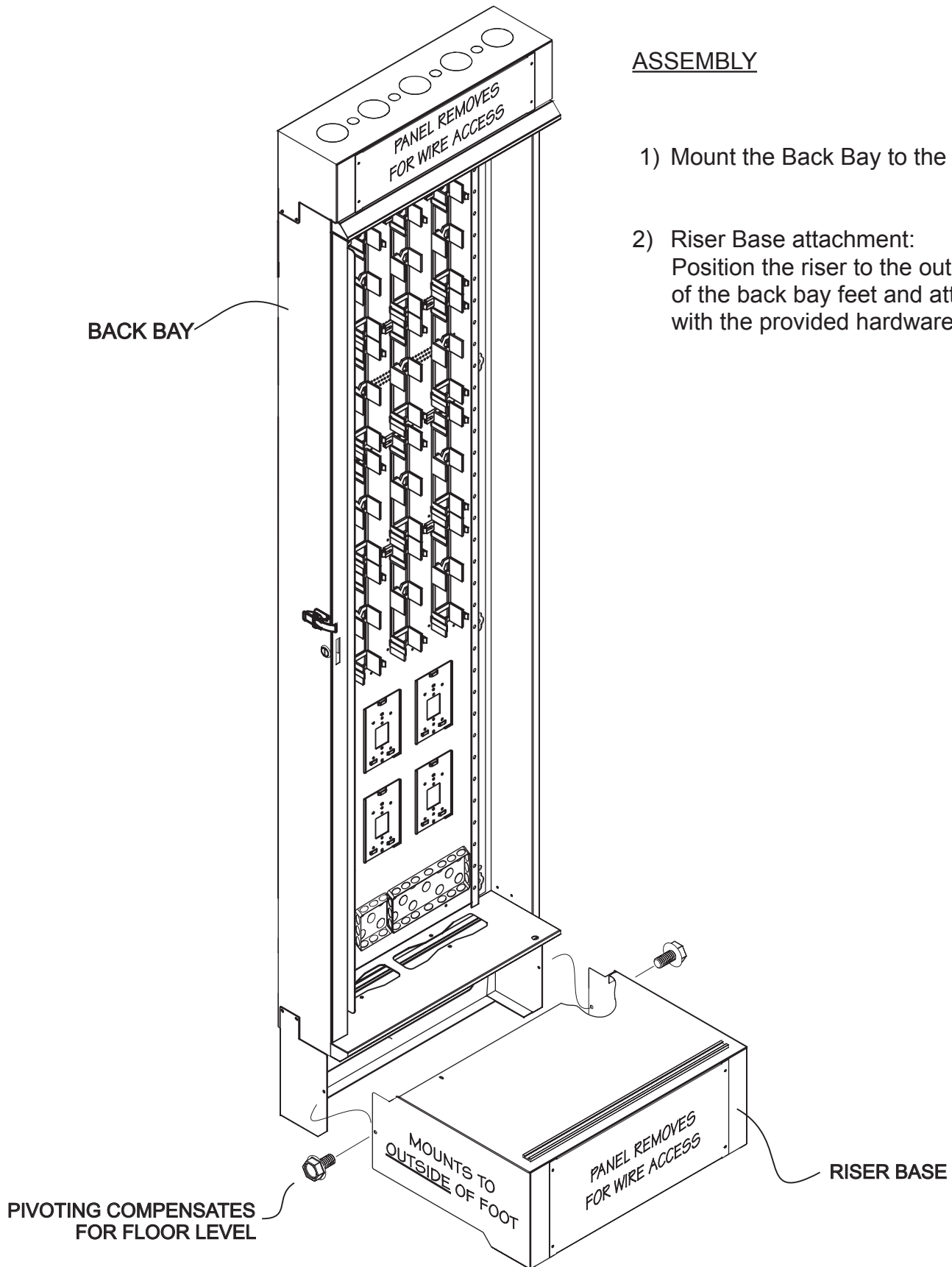
- Assembled: 229 LBS
- Back Bay: 120 LBS
- Rack: 106 LBS

CENTER SECTION CLEARANCE

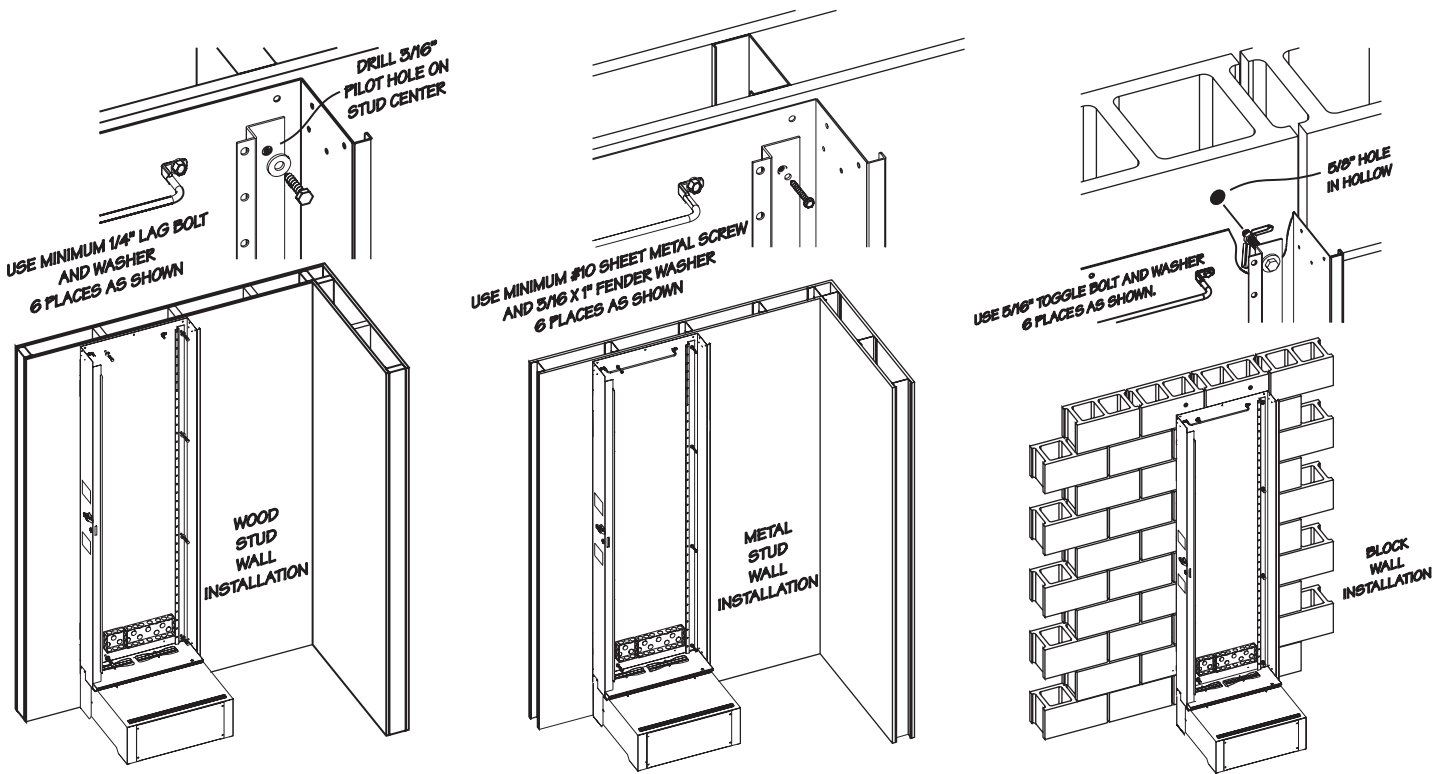


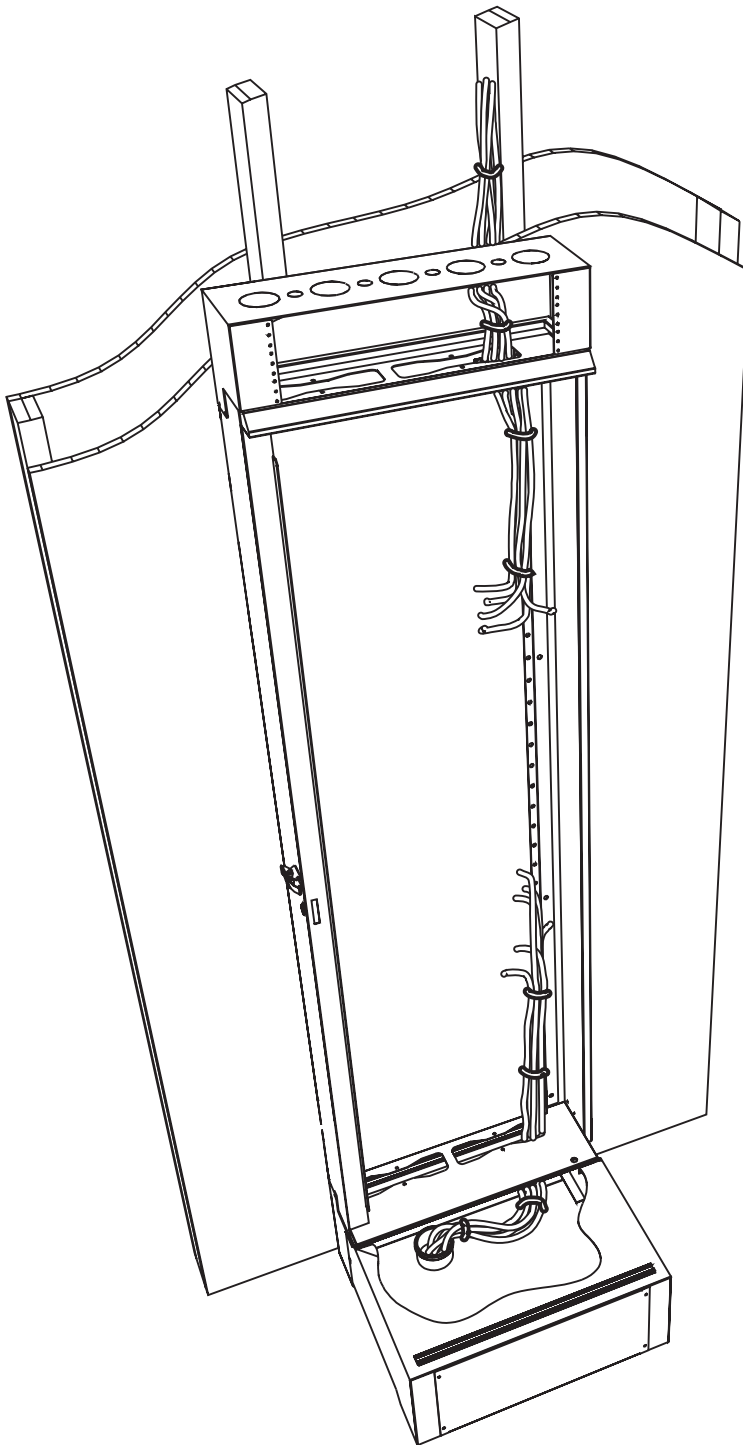
ASSEMBLY

- 1) Mount the Back Bay to the wall.
- 2) Riser Base attachment:
Position the riser to the outside of the back bay feet and attach with the provided hardware.



NOTE: The Back Bay is shown without the top for clarity.



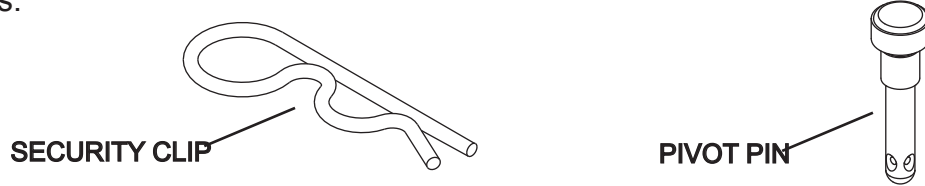


NOTE: Wires can be concealed in wall(s) and routed through upper and lower cable chase areas allowing for neat, clean installation.

Wiring to Pivoting Equipment Rack should be performed in such a manner as to allow adequate service loops on the pivot side.

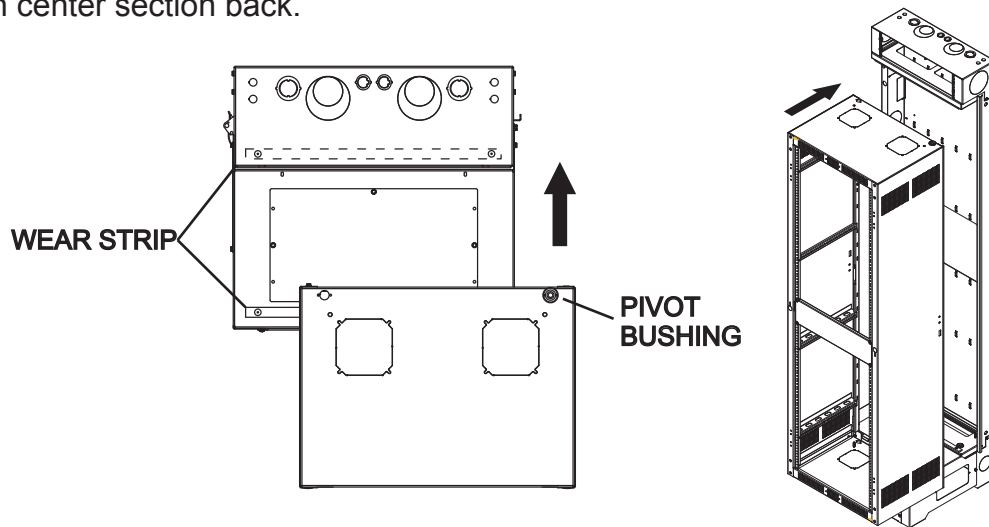
A horizontal cable lacing bar (not shown) has been provided on the upper back bay.

- 3) The pivot pins and security clips needed to mount the Center Section to the Backpan are preinstalled in the bushings on the Backpan top and bottom. Please remove the clips and unscrew the pins.

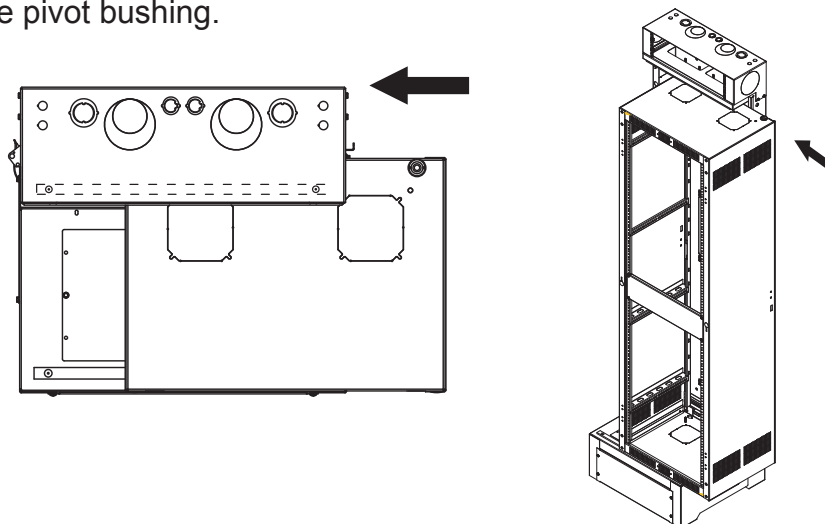


NOTE: Remove trim which is wire tied inside center section. (set aside for later installation)

- 4) Place Center Section up on support base with pivot bushing hanging over side of support base by 3" to 6".
- 5) Push center section back.



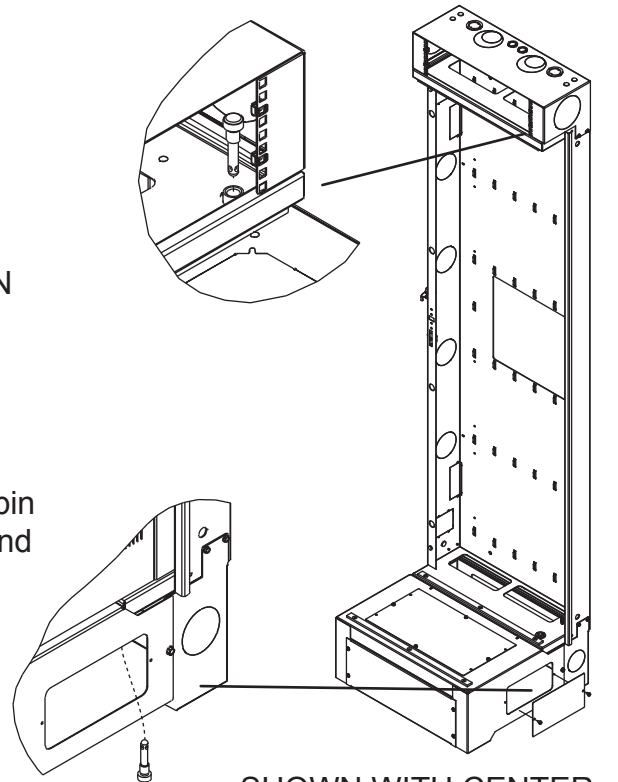
- 6) Once pivot has passed lower and upper wear strips located on back pan, slide center section over to engage the pivot bushing.



- 7) Keeping the center section in the closed position insert a pivot pin through the bottom access hole into bushing and hand tighten fully, then back out one turn.

OPEN CENTER SECTION
SLIGHTLY FOR TOP PIN
ALIGNMENT

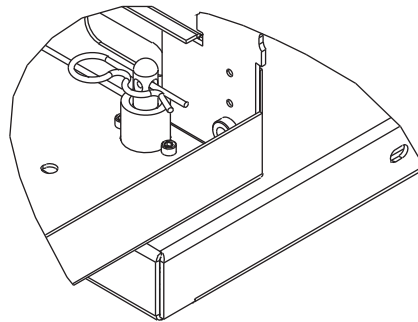
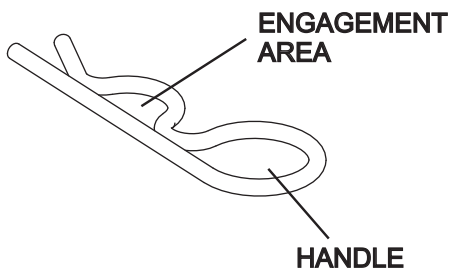
- 8) Going through the upper wire chamber drop the pivot pin into the top bushing (use tip of pin to find alignment) and insert, hand tighten fully, then back out one turn.



SHOWN WITH CENTER
SECTION REMOVED FOR
CLARITY

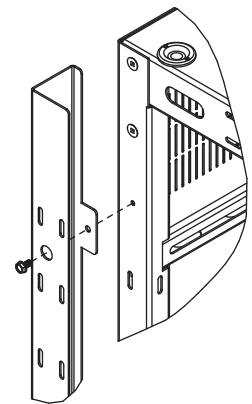
- 9) As a final security measure open the center section and install security clips through hole. (Prevents removal of the pivot pins from the exterior of the enclosure)

NOTE: Slide security clip into engagement area. Do not push pin all the way in.



- 10) Install trim on the pivot side with 5/16" socket / nut driver using screws preinstalled on the back of the center section.

NOTE: Self tapping screws supplied on both sides for your convenience. Leave unused self-tapping screws in place on opposite side.



- 11) Reinstall access panels.

ASSEMBLY

**RACK MOUNTING
EQUIPMENT SCREWS
(100 Provided)**

**BACK BAY
MOUNTS
TO WALL**

*PANEL REMOVES
FOR WIRE ACCESS*

**89D / 110
BLOCK
MOUNTING
SCREWS
(40 Provided)**

**PIVOTING
EQUIPMENT
RACK BOLTS
TO BACK PAN**

**CUSTOMER
SUPPLIED**

**VALCOM-T MOUNTING SCREWS
(8 Provided)**

**GROUND STUDS
TOP & BOTTOM**

**RISER BASE
PIVOT SCREW
(2 Provided)**

*(Pivot mounting
style allows for
floor conformity)*

**MAGNETIC 5/16"
HEX DRIVER PROVIDED**

*PANEL REMOVES
FOR WIRE ACCESS*

**RISER BASE
MOUNTS TO
BACK PAN**

WARRANTY

Middle Atlantic Products, Inc. (the "Company") warrants the SIMPLEX WALL RACK to be free from defects in material or workmanship under normal use and conditions for the lifetime of the product.

The Company's entire liability to the purchaser, and the purchaser's (or any other party's) sole and exclusive remedy, under this warranty shall be limited, at the Company's option, to either (a) return of and refund of the price paid for, or (b) repair or replacement at the Company's factory of the products purchased, or any part or parts thereof, which the Company has determined to be defective after inspection thereof at the Company's factory.

This warranty does not cover damage due to acts of God, accident, misuse, abuse or negligence by parties other than the Company, or any modification or alteration of the products. In addition, this warranty does not cover damage due to improper handling, assembly, installation or maintenance.

THIS WARRANTY IS IN LIEU OF ALL OTHER WARRANTIES OF ANY KIND, EITHER EXPRESSED OR IMPLIED, INCLUDING, BUT NOT LIMITED TO, IMPLIED WARRANTIES OF MERCHANTABILITY AND FITNESS FOR A PARTICULAR PURPOSE.

TO THE MAXIMUM EXTENT PERMITTED BY APPLICABLE LAW, IN NO EVENT SHALL THE COMPANY BE LIABLE FOR ANY SPECIAL, INCIDENTAL, INDIRECT, OR CONSEQUENTIAL DAMAGES WHATSOEVER (INCLUDING, WITHOUT LIMITATION, DAMAGES FOR LOSS OF BUSINESS PROFITS, BUSINESS INTERRUPTION OR ANY OTHER PECUNIARY LOSS) ARISING OUT OF THE USE OF THE PRODUCTS PURCHASED, EVEN IF THE COMPANY HAS BEEN ADVISED OF THE POSSIBILITY OF SUCH DAMAGES. THE COMPANY'S LIABILITY TO THE PURCHASER (OR ANY OTHER PARTY) HEREUNDER, IF ANY, SHALL IN NO EVENT EXCEED THE PURCHASE PRICE OF THE PRODUCTS PAID TO THE COMPANY.

Corporate Headquarters

Corporate Voice 973-839-1011 - Fax 973-839-1976
International Voice +1 973-839-8821 - Fax +1 973-839-4982
middleatlantic.com - info@middleatlantic.com

Middle Atlantic Canada

Voice 613-836-2501 - Fax 613-836-2690
middleatlantic.ca - contactcanada@middleatlantic.com

Factory Distribution

USA: NJ - CA - IL Canada: ON - BC

At Middle Atlantic Products we are always listening. Your comments are welcome.

