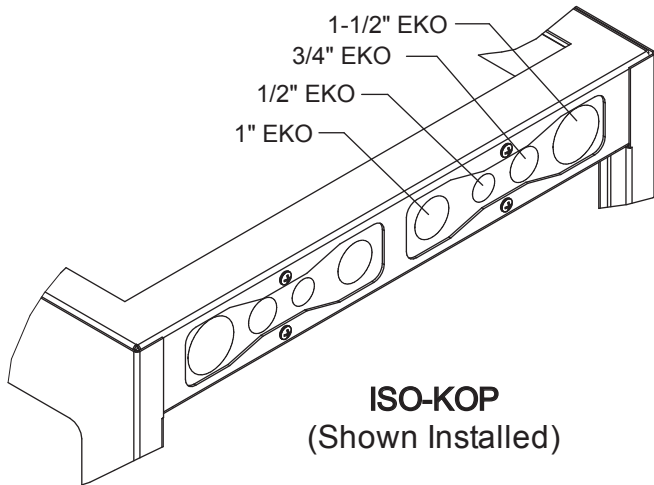


INSTRUCTION SHEET

ISO-KOP

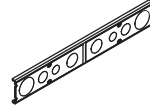
ISOLATED KNOCKOUT PANEL



Included

Qty

1



Description

Isolated Knockout Panel

4

10-32 Truss Head Screw

2



1-1/2" Washer

2



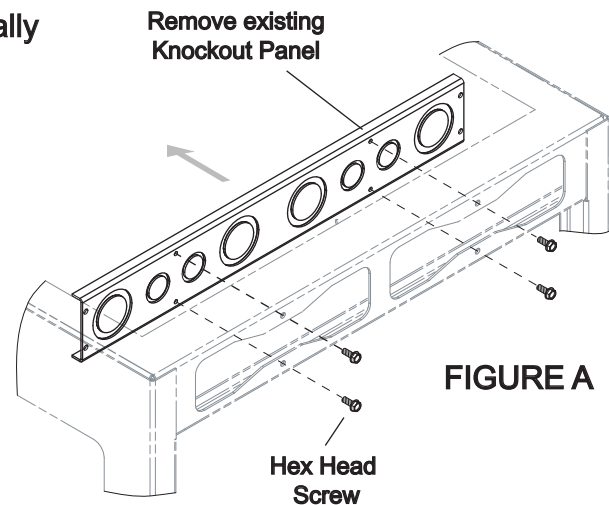
3/4" Washer

Tools required:

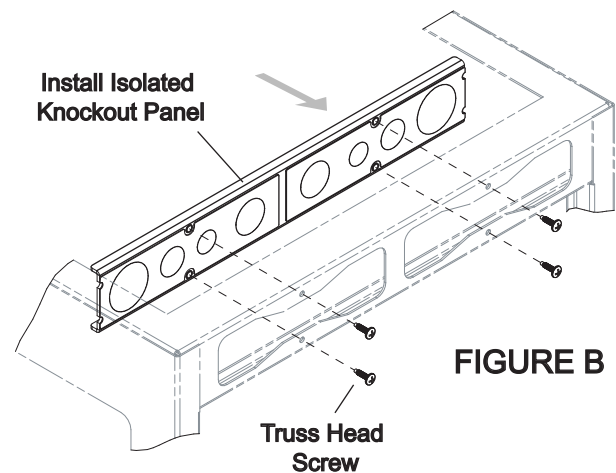
5/16" Socket or Wrench
#2 Phillips Screwdriver

When an installation requires conduit to be electrically isolated from the enclosure, the Isolated Knockout Panel replaces the existing steel Knockout Panel standard on many Middle Atlantic Products enclosures.

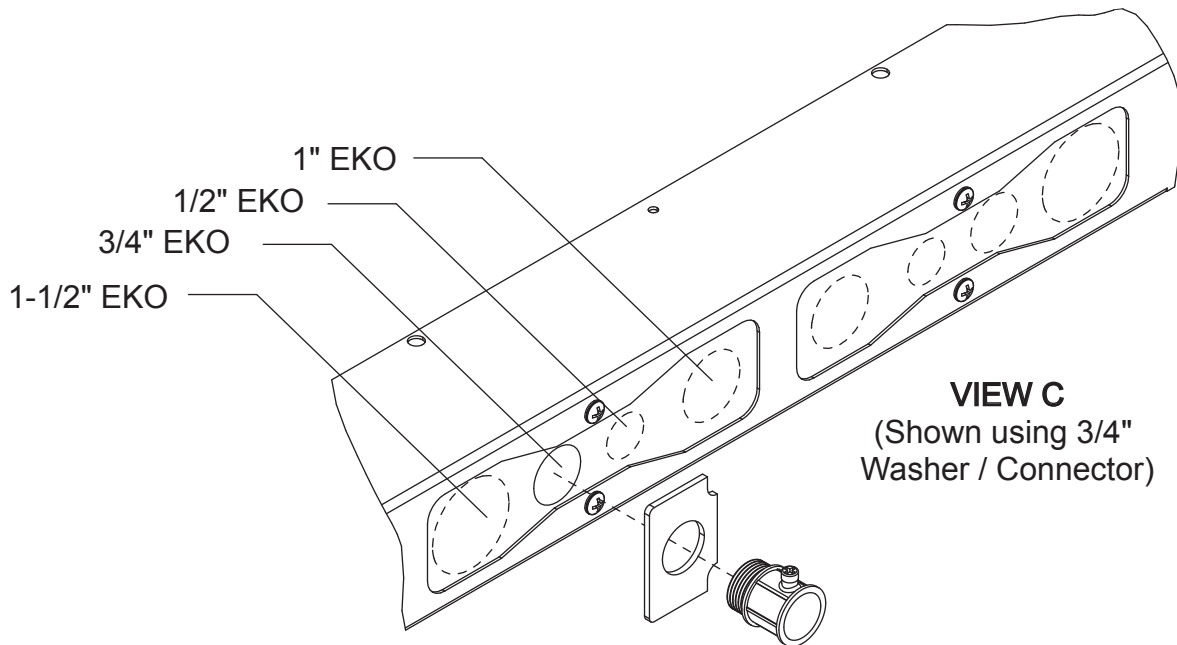
1) Remove four Hex Head Screws from rear top and/or bottom of enclosure Knockout Panel. Remove existing Knockout Panel and discard. (FIGURE A)



2) Install Isolated Knockout Panel on the inside of the enclosure as shown. Secure using the Truss Head Screws provided. (FIGURE B)



3) Push out the desired trade-sized EKO.



VIEW C
(Shown using 3/4"
Washer / Connector)

4) Install Washer(s) provided when using 1-1/2" and 3/4" EKO's. (See **VIEW C**)

NOTE: Remove paper on washer prior to installation.

WARRANTY

Middle Atlantic Products, Inc. (the "Company") warrants the ISO-KOP to be free from defects in material or workmanship under normal use and conditions for the lifetime of the product.

The Company's entire liability to the purchaser, and the purchaser's (or any other party's) sole and exclusive remedy, under this warranty shall be limited, at the Company's option, to either (a) return of and refund of the price paid for, or (b) repair or replacement at the Company's factory of the products purchased, or any part or parts thereof, which the Company has determined to be defective after inspection thereof at the Company's factory.

This warranty does not cover damage due to acts of God, accident, misuse, abuse or negligence by parties other than the Company, or any modification or alteration of the products. In addition, this warranty does not cover damage due to improper handling, assembly, installation or maintenance.

THIS WARRANTY IS IN LIEU OF ALL OTHER WARRANTIES OF ANY KIND, EITHER EXPRESSED OR IMPLIED, INCLUDING, BUT NOT LIMITED TO, IMPLIED WARRANTIES OF MERCHANTABILITY AND FITNESS FOR A PARTICULAR PURPOSE.

TO THE MAXIMUM EXTENT PERMITTED BY APPLICABLE LAW, IN NO EVENT SHALL THE COMPANY BE LIABLE FOR ANY SPECIAL, INCIDENTAL, INDIRECT, OR CONSEQUENTIAL DAMAGES WHATSOEVER (INCLUDING, WITHOUT LIMITATION, DAMAGES FOR LOSS OF BUSINESS PROFITS, BUSINESS INTERRUPTION OR ANY OTHER PECUNIARY LOSS) ARISING OUT OF THE USE OF THE PRODUCTS PURCHASED, EVEN IF THE COMPANY HAS BEEN ADVISED OF THE POSSIBILITY OF SUCH DAMAGES. THE COMPANY'S LIABILITY TO THE PURCHASER (OR ANY OTHER PARTY) HEREUNDER, IF ANY, SHALL IN NO EVENT EXCEED THE PURCHASE PRICE OF THE PRODUCTS PAID TO THE COMPANY.

Corporate Headquarters

Corporate Voice 973-839-1011 - Fax 973-839-1976 / International Voice +1 973-839-8821 - Fax +1 973-839-4982
middleatlantic.com - info@middleatlantic.com

Middle Atlantic Canada

middleatlantic.ca - customerservicecanada@middleatlantic.ca

Factory Distribution

USA: NJ - CA - IL Canada: ON - BC

At Middle Atlantic Products we are always listening. Your comments are welcome.

Middle Atlantic Products is an ISO 9001 Registered Company.

