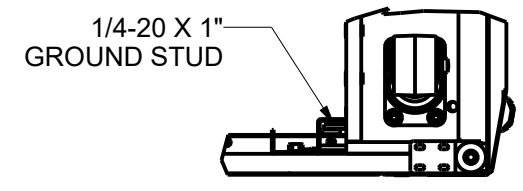
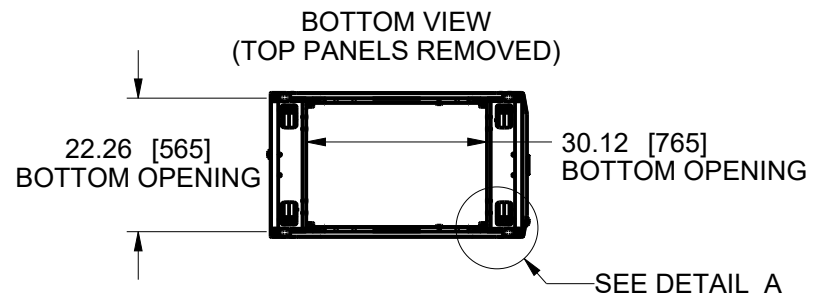
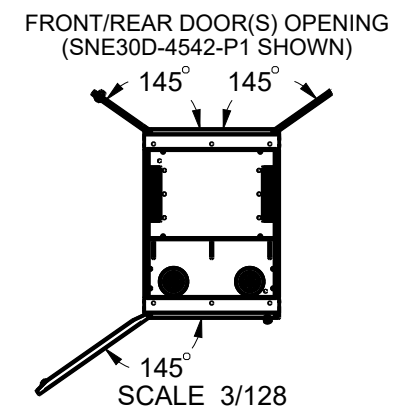
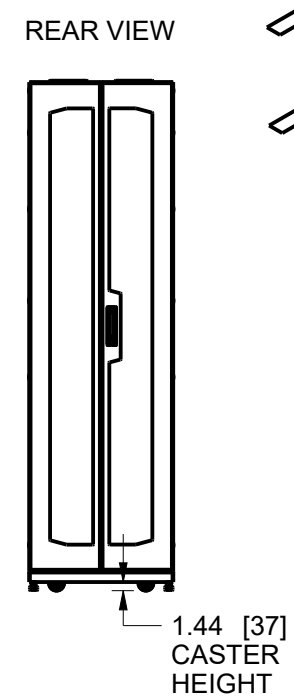
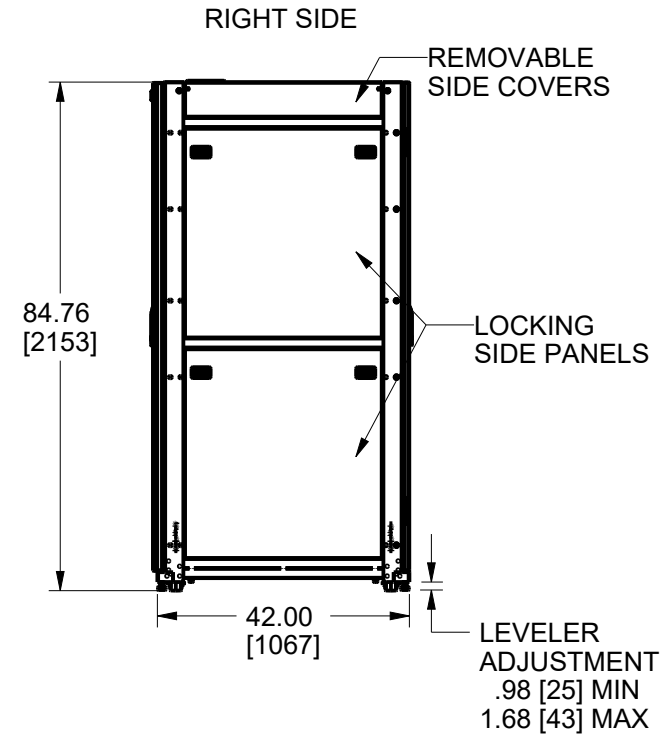
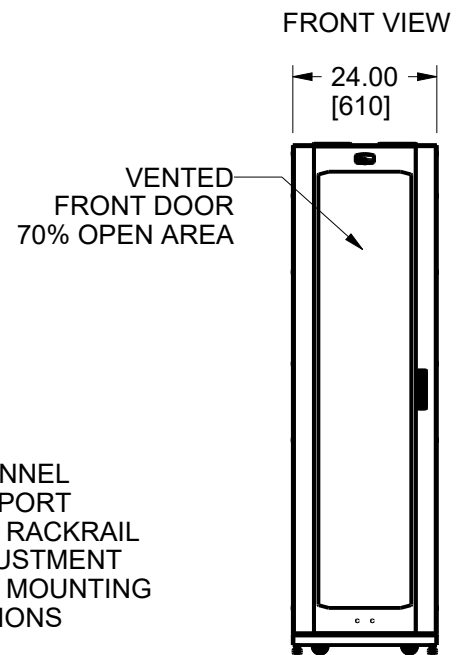
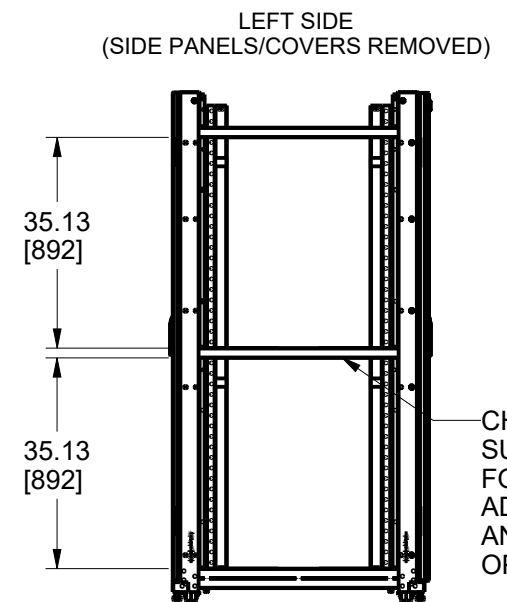
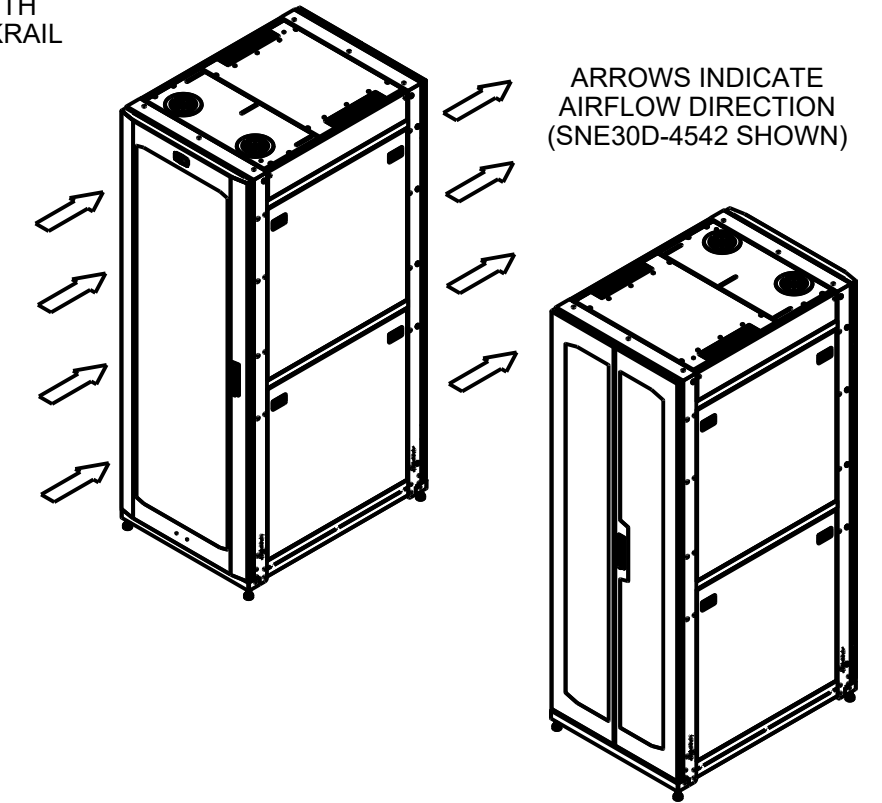
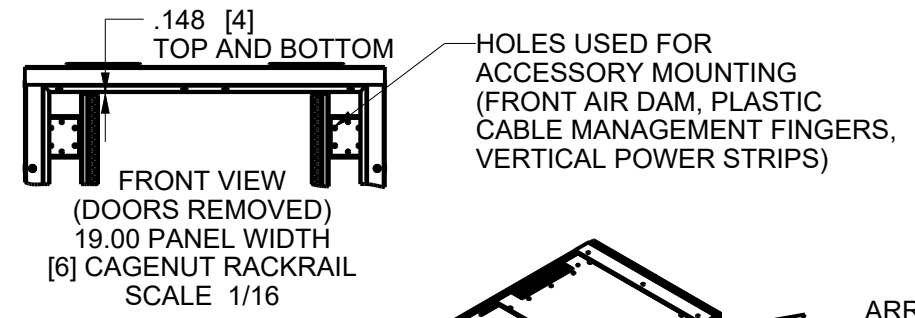
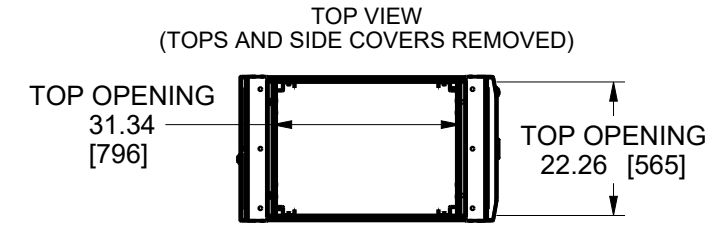
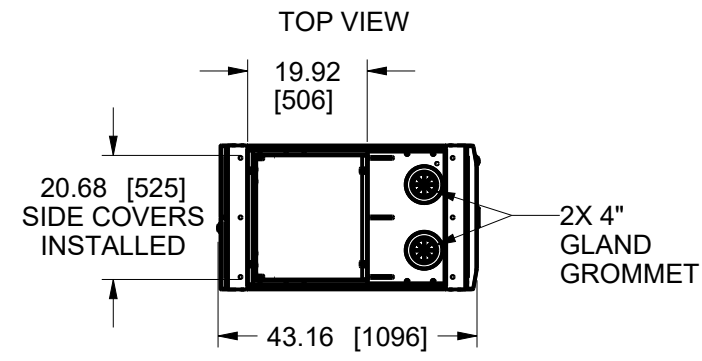


NOTES:
 1. ALL DIMENSIONS SHOWN IN FORMAT: INCHES [MM]
 2. FRONT DOOR, REAR DOORS, AND SIDE PANELS ARE KEYED THE SAME.

REV	DESCRIPTION	REV BY	REV DATE	APP'D BY	DATE APP.
A	PRODUCTION RELEASE	///	////	RA	12/31/21



DETAIL A
SCALE 1/8

PROJECTION: 1" ANGLE SCALE = 1/32	UNLESS OTHERWISE SPECIFIED, ALL DIMENSIONS ARE IN INCHES GENERAL TOLERANCES: DEC: 1 PLACE +/-0.1 ANGLE: +/-1° 2 PLACE +/-0.03 FRAC: +/-1/32 3 PLACE +/-0.010 HOLE SIZE: +/-0.002	APPROVALS	DATE
		MODELED CES	05/09/13
SIZE B	SHEET 1 OF 2	DRAWN SB	12/15/21

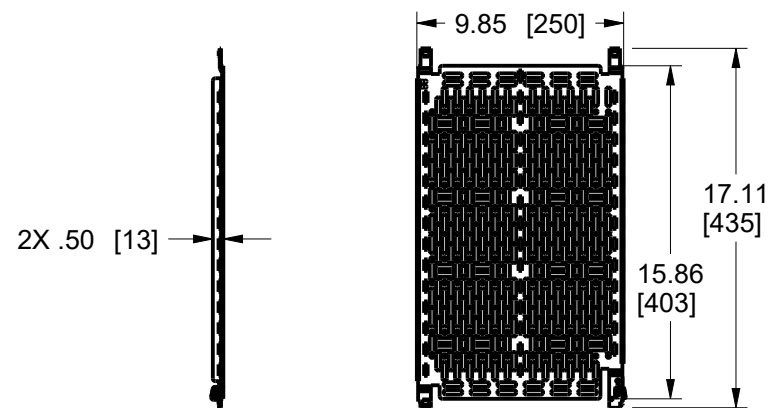
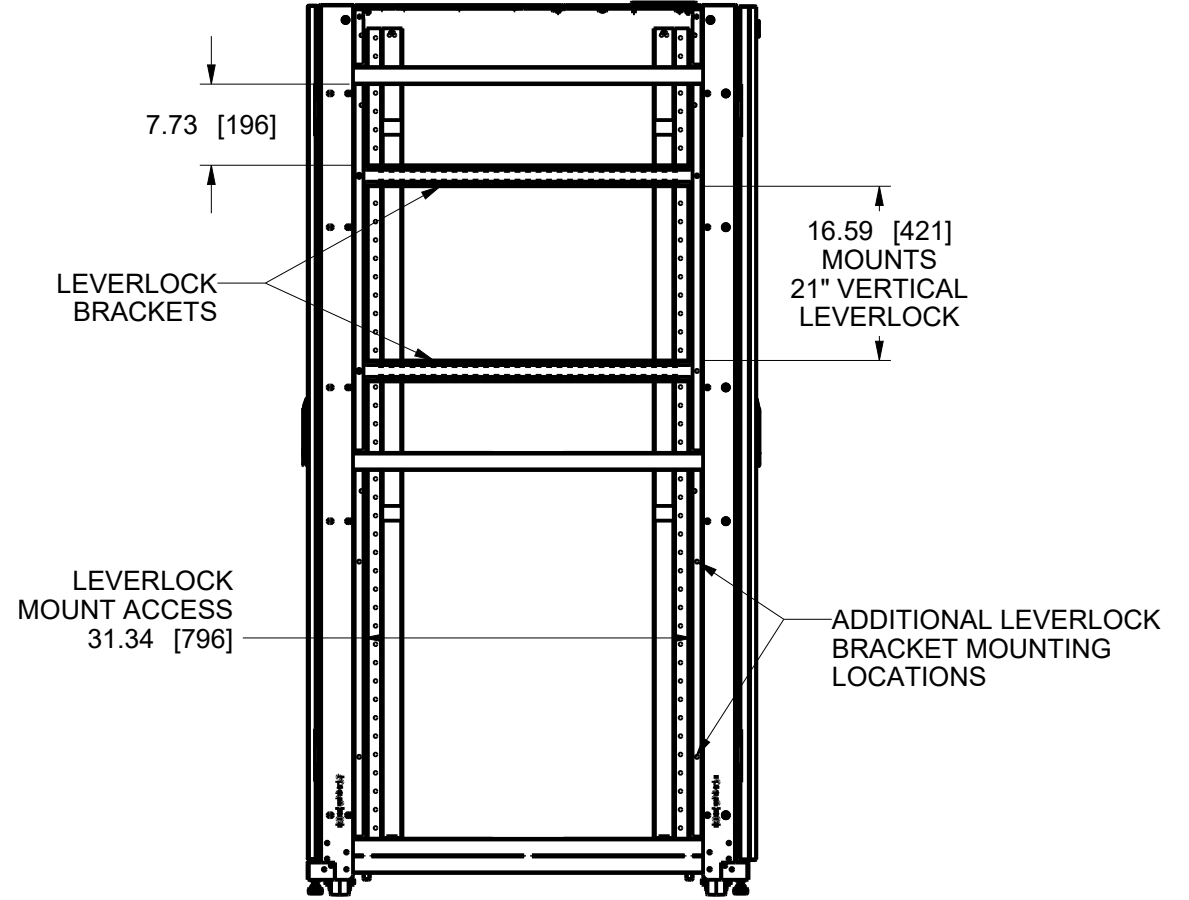
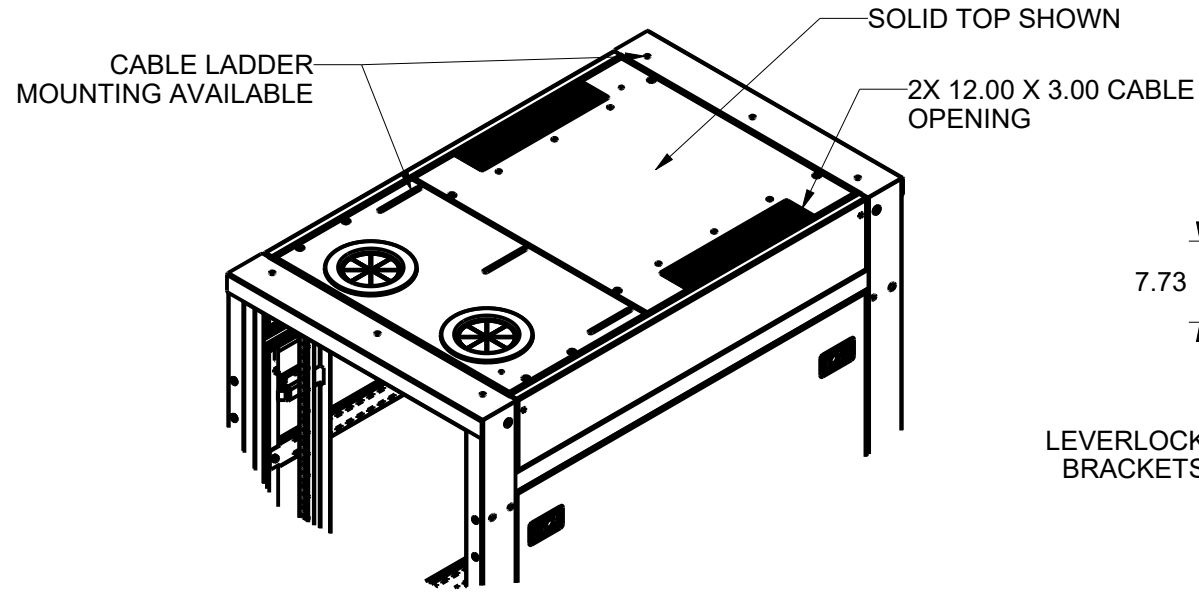
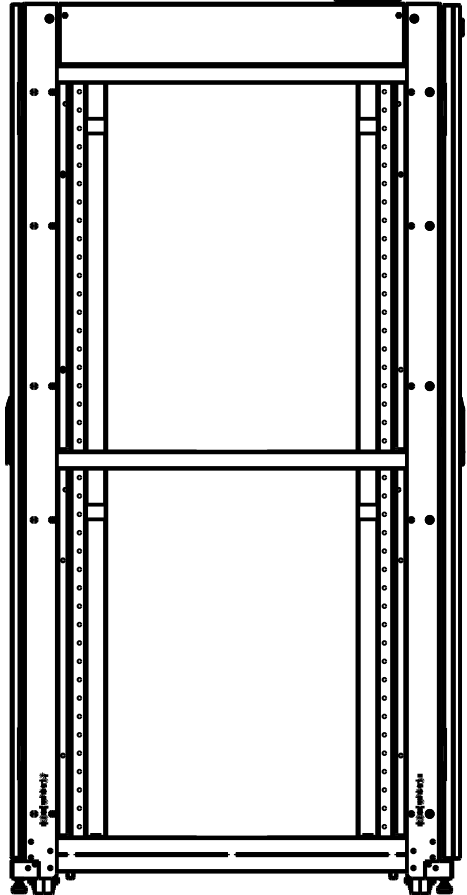
MIDDLE ATLANTIC

TITLE	SNE DIGITAL ENCLOSURE
DWG NO.	SNE24D-4542-P1_TECH_SPEC
DWG REV	A

THIS DRAWING CONTAINS TRADE INFORMATION DEEMED TO BE CONFIDENTIAL AND PROPRIETARY PROPERTY OF MIDDLE ATLANTIC PRODUCTS, INC. AND IS TO BE USED ONLY FOR THE PURPOSES FOR WHICH IT IS SUBMITTED AND FURTHER SHALL NOT BE COPIED IN WHOLE OR PART WITHOUT WRITTEN PERMISSION FIRST OBTAINED FROM MIDDLE ATLANTIC PRODUCTS, INC.

1 2 3 4 5 6 7 8

SIDE VIEW
(LEVERLOCK BRACKETS REMOVED)



LEVERLOCK DETAIL
LL-VP2110 SHOWN
(2 QTY INCLUDED)
SCALE 7/64

PROJECTION: 1" ANGLE 	UNLESS OTHERWISE SPECIFIED, ALL DIMENSIONS ARE IN INCHES GENERAL TOLERANCES: DEC: 1 PLACE +/-0.1 ANGLE: +/-1° 2 PLACE +/-0.03 FRAC: +/-1/32 3 PLACE +/-0.010 HOLE SIZE: +/-0.002		APPROVALS MODELED CES DRAWN SB	DATE 05/09/13 12/15/21	MIDDLE ATLANTIC <small>Manufacturing</small>	TITLE SNE DIGITAL ENCLOSURE --	DWG NO. SNE24D-4542-P1_TECH_SPEC DWG REV A
	SIZE B SHEET 2 OF 2						

THIS DRAWING CONTAINS TRADE INFORMATION DEEMED TO BE CONFIDENTIAL AND PROPRIETARY PROPERTY OF MIDDLE ATLANTIC PRODUCTS, INC. AND IS TO BE USED ONLY FOR THE PURPOSES FOR WHICH IT IS SUBMITTED AND FURTHER SHALL NOT BE COPIED IN WHOLE OR PART WITHOUT WRITTEN PERMISSION FIRST OBTAINED FROM MIDDLE ATLANTIC PRODUCTS, INC.