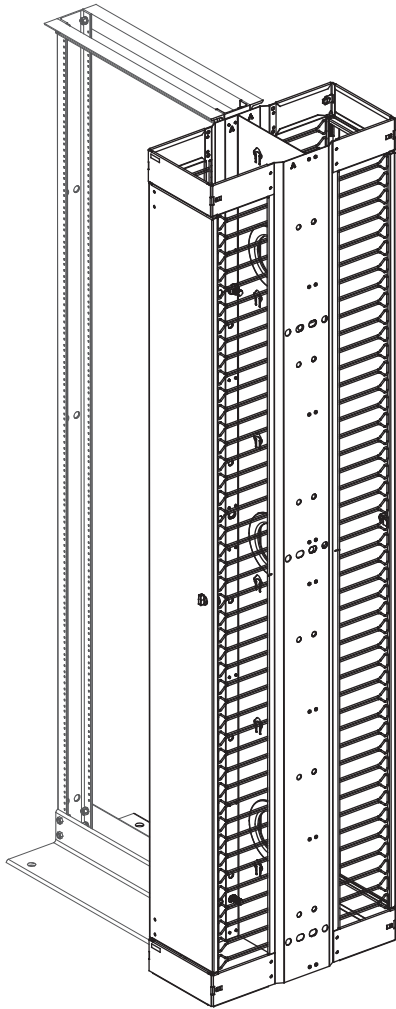


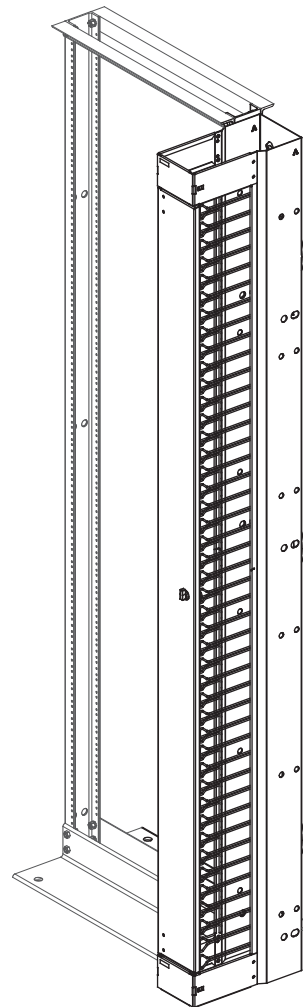
INSTRUCTION SHEET

VCD SERIES

DUAL / SINGLE CHANNEL CABLE DUCTS



DUAL CHANNEL



SINGLE CHANNEL

THANK YOU

Thank you for purchasing the VCD Series Cable Duct. Please read these instructions thoroughly before installing this product.

PRODUCT FEATURES

- Protects the cable bend radius and helps organize pathways for cables and cords
- Cable fingers arranged in rackspace increments to route cables directly to equipment
- Smooth edges protect cables while doors hide them from view
- Door swing can be reversed



Middle Atlantic Products

I-00231

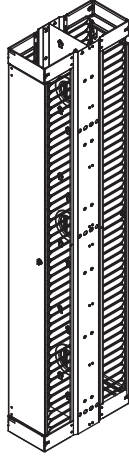
Rev A

TOOLS REQUIRED

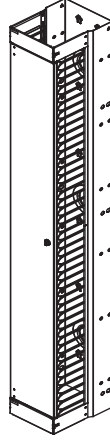
5/16" Wrench (RL Series Only)
 1/2" Wrench (RLA / R4 Series Only)

PARTS

CABLE DUCT



-or-



DUAL CHANNEL

SINGLE CHANNEL

QTY
1

PART #
A

NOTE: Kits include enough hardware to mount VCD on both sides.

RL HARDWARE KIT

5/16" STUD



QTY
16

PART #
B

WASHER



QTY
16

PART #
C

5/16" FLANGE NUT



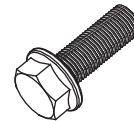
QTY
16

PART #
D

RLA (45 SPACE)

R4 (38 / 45 SPACE) HARDWARE KIT

1/2" BOLT



QTY
6

PART #
E

WASHER



QTY
16

PART #
C

1/2" FLANGE NUT



QTY
6

PART #
F

5/16" FLANGE NUT

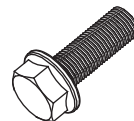


QTY
16

PART #
D

RLA / R4 HARDWARE KIT (51 SPACE)

1/2" BOLT



QTY
8

PART #
E

1/2" FLANGE NUT



QTY
8

PART #
F

PRODUCT FEATURES

- 1) Top and Bottom Brackets can be pulled off to allow for easy installation of large cable bundles. **(FIGURE A)**

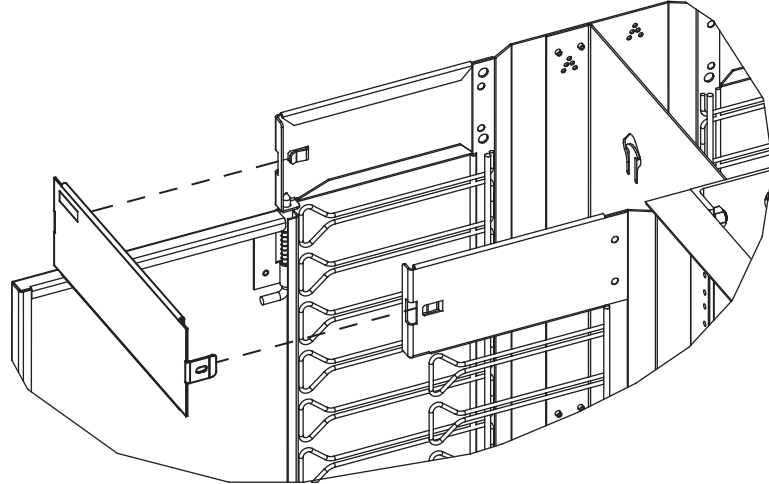


FIGURE A

- 2) Grommeted cable pass throughs protect wires from damage and chafing. **(FIGURE B)**

- 3) Multiple cable tie posts accept cable ties and Velcro® straps up to 3/4" wide. **(FIGURE C)**

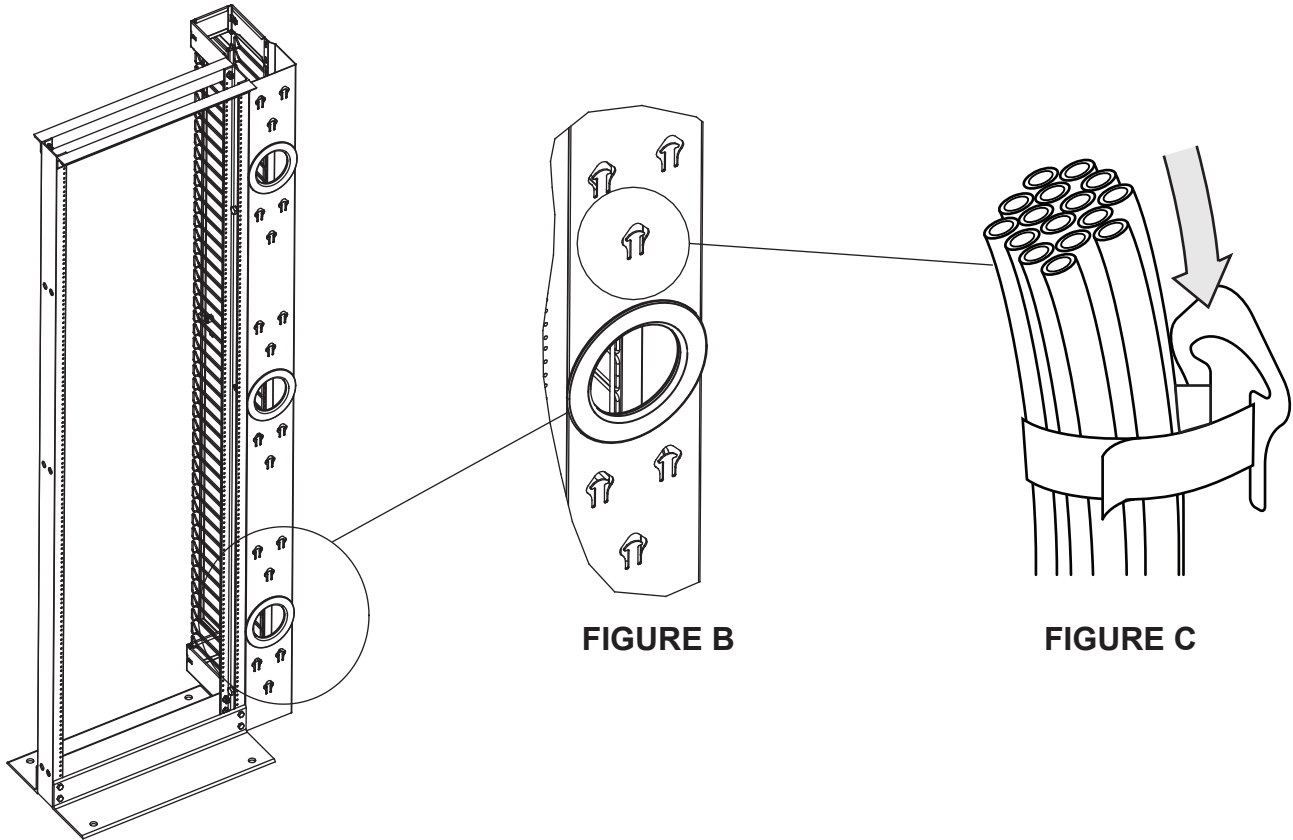


FIGURE B

FIGURE C

RL SERIES INSTALLATION

NOTE: Position VCD with Cable Tie Posts facing up.
(FIGURE D)

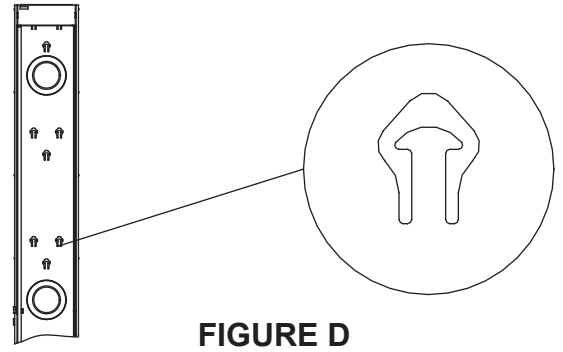


FIGURE D

1) Install hardware as shown. **(FIGURE E)**

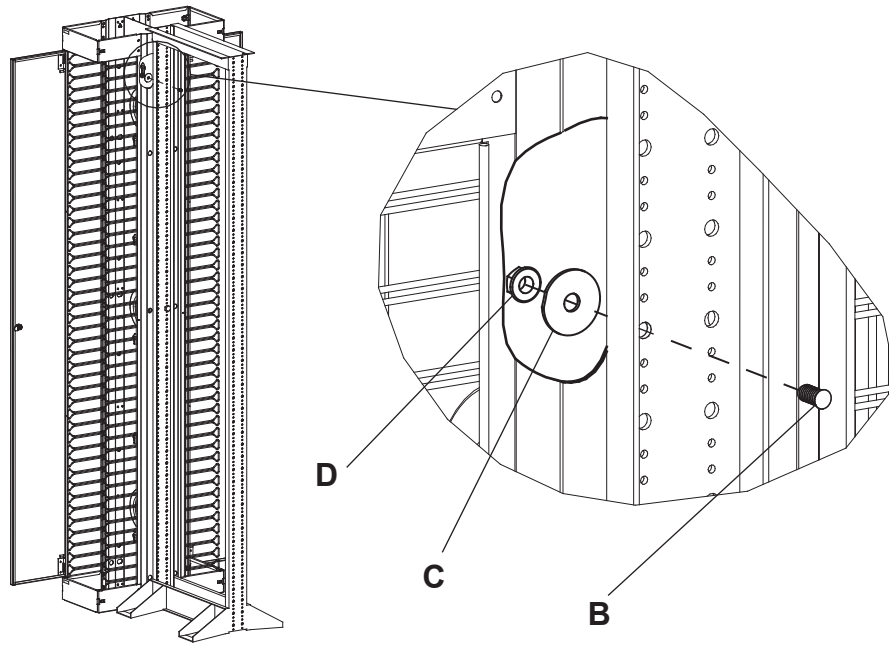


FIGURE E

2) For RL series racks, install hardware in the smaller holes on the side of the VCD.

SUGGESTED HARDWARE INSTALLATION:

Stagger hardware as shown to prevent deflection from rack.
(FIGURE F)

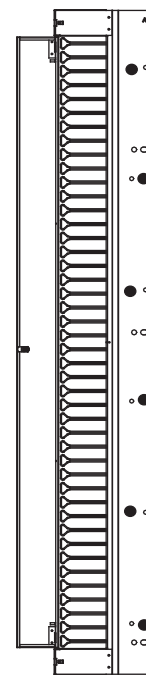
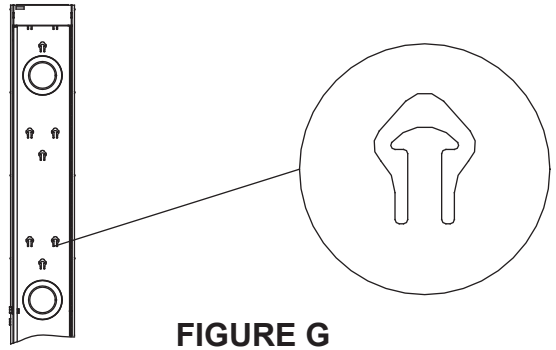


FIGURE F

RLA / R4 SERIES INSTALLATION

NOTE: Position VCD with Cable Tie Posts facing up.
(FIGURE G)



1) Install hardware as shown. **(FIGURE H)**

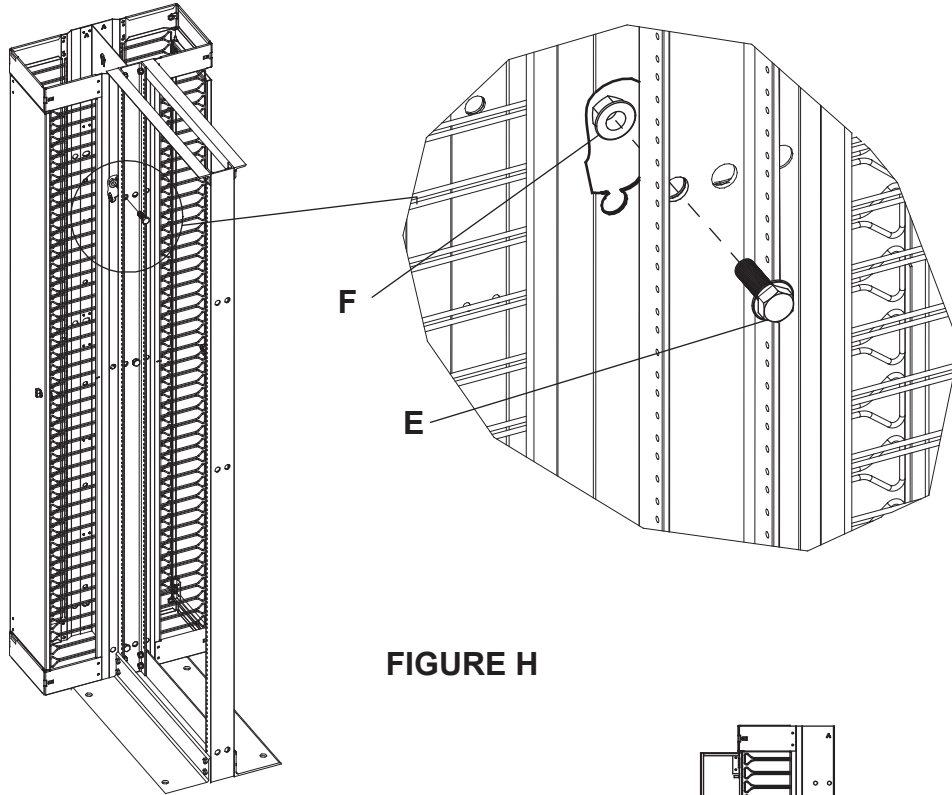


FIGURE H

2) For RLA / R4 series racks, install hardware in the larger holes on the side of the VCD.

SUGGESTED HARDWARE INSTALLATION:

Stagger hardware as shown to prevent deflection from rack.
(FIGURE I)

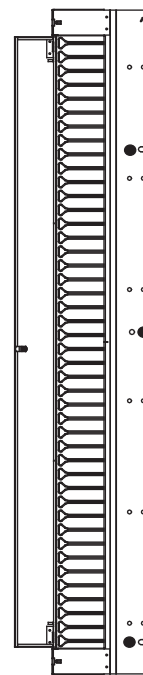


FIGURE I



Middle Atlantic Products

WARRANTY

Middle Atlantic Products (the "Company") warrants the VCD Series Cable Ducts to be free from defects in material or workmanship under normal use and conditions for the lifetime of the product.

The Company's entire liability to the purchaser, and the purchaser's (or any other party's) sole and exclusive remedy, under this warranty shall be limited, at the Company's option, to either (a) return of and refund of the price paid for, or (b) repair or replacement at the Company's factory of the products purchased, or any part or parts thereof, which the Company has determined to be defective after inspection thereof at the Company's factory.

This warranty does not cover damage due to acts of God, accident, misuse, abuse or negligence by parties other than the Company, or any modification or alteration of the products. In addition, this warranty does not cover damage due to improper handling, assembly, installation or maintenance.

THIS WARRANTY IS IN LIEU OF ALL OTHER WARRANTIES OF ANY KIND, EITHER EXPRESSED OR IMPLIED, INCLUDING, BUT NOT LIMITED TO, IMPLIED WARRANTIES OF MERCHANTABILITY AND FITNESS FOR A PARTICULAR PURPOSE.

TO THE MAXIMUM EXTENT PERMITTED BY APPLICABLE LAW, IN NO EVENT SHALL THE COMPANY BE LIABLE FOR ANY SPECIAL, INCIDENTAL, INDIRECT, OR CONSEQUENTIAL DAMAGES WHATSOEVER (INCLUDING, WITHOUT LIMITATION, DAMAGES FOR LOSS OF BUSINESS PROFITS, BUSINESS INTERRUPTION OR ANY OTHER PECUNIARY LOSS) ARISING OUT OF THE USE OF THE PRODUCTS PURCHASED, EVEN IF THE COMPANY HAS BEEN ADVISED OF THE POSSIBILITY OF SUCH DAMAGES. THE COMPANY'S LIABILITY TO THE PURCHASER (OR ANY OTHER PARTY) HEREUNDER, IF ANY, SHALL IN NO EVENT EXCEED THE PURCHASE PRICE OF THE PRODUCTS PAID TO THE COMPANY.

Corporate Headquarters

Corporate Voice 973-839-1011 - Fax 973-839-1976 / International Voice +1 973-839-8821 - Fax +1 973-839-4982
middleatlantic.com - info@middleatlantic.com

Middle Atlantic Canada

Voice 613-836-2501 - Fax 613-836-2690 / middleatlantic.ca - customerservicecanada@middleatlantic.ca

Factory Distribution

USA: NJ - CA - IL Canada: ON - BC

At Middle Atlantic Products we are always listening. Your comments are welcome.

Middle Atlantic Products is an ISO 9001 and ISO 14001 Registered Company.

