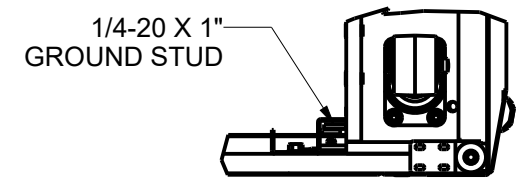
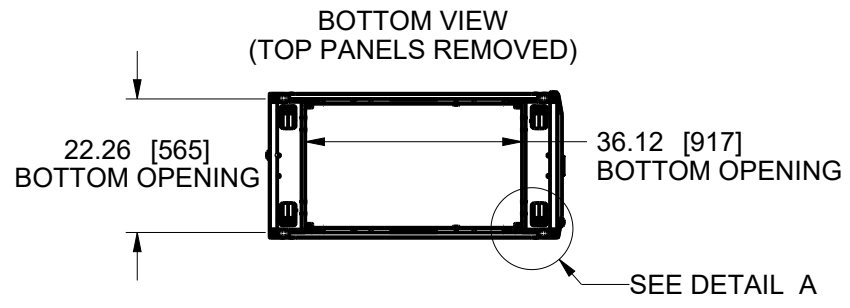
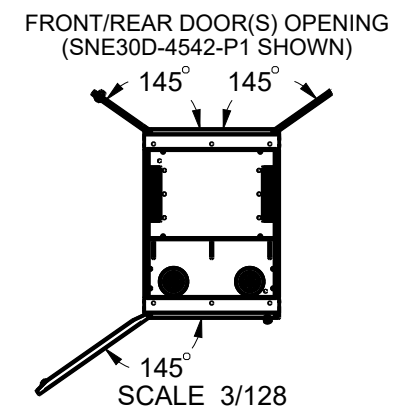
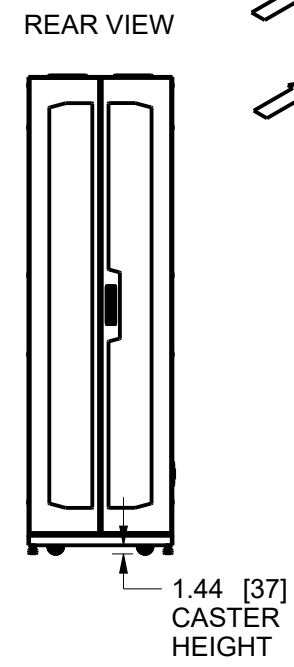
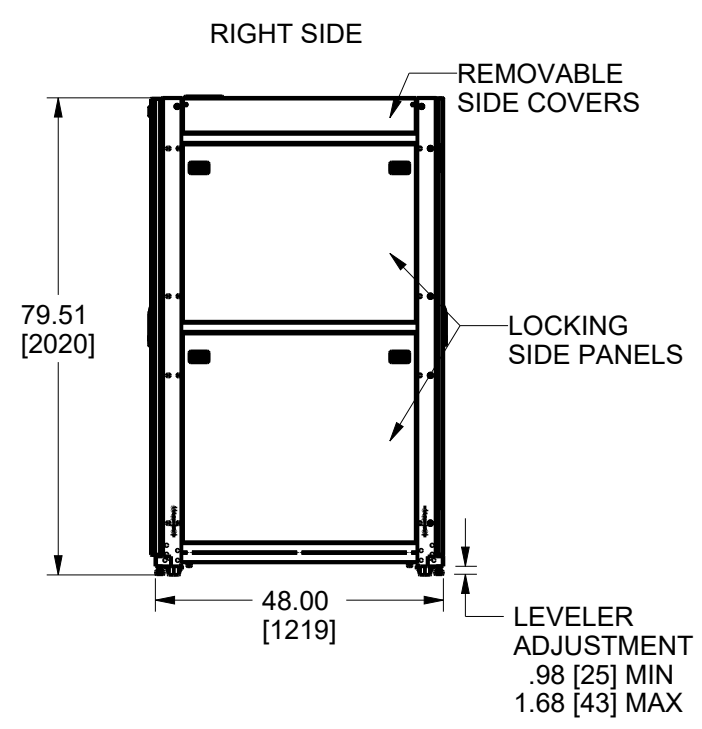
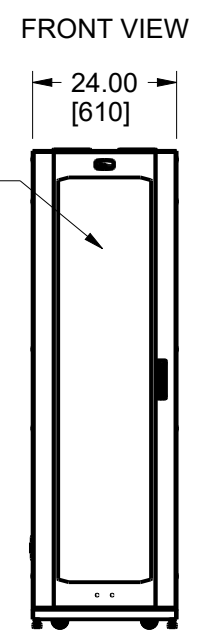
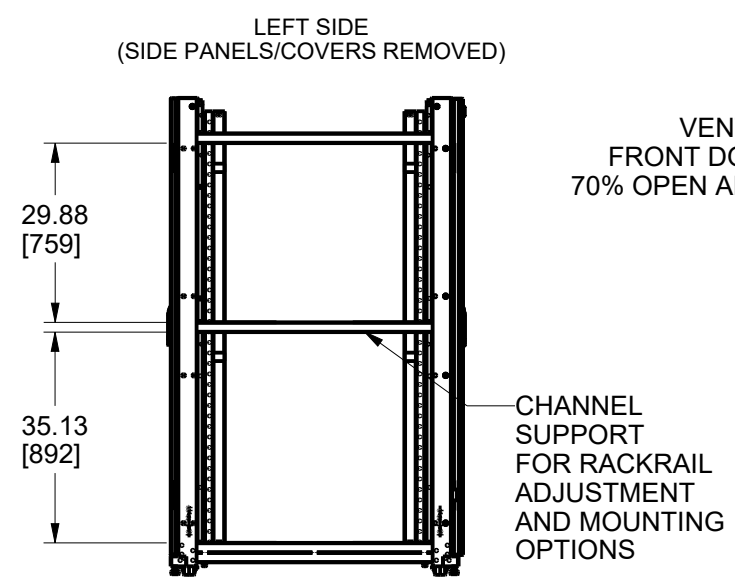
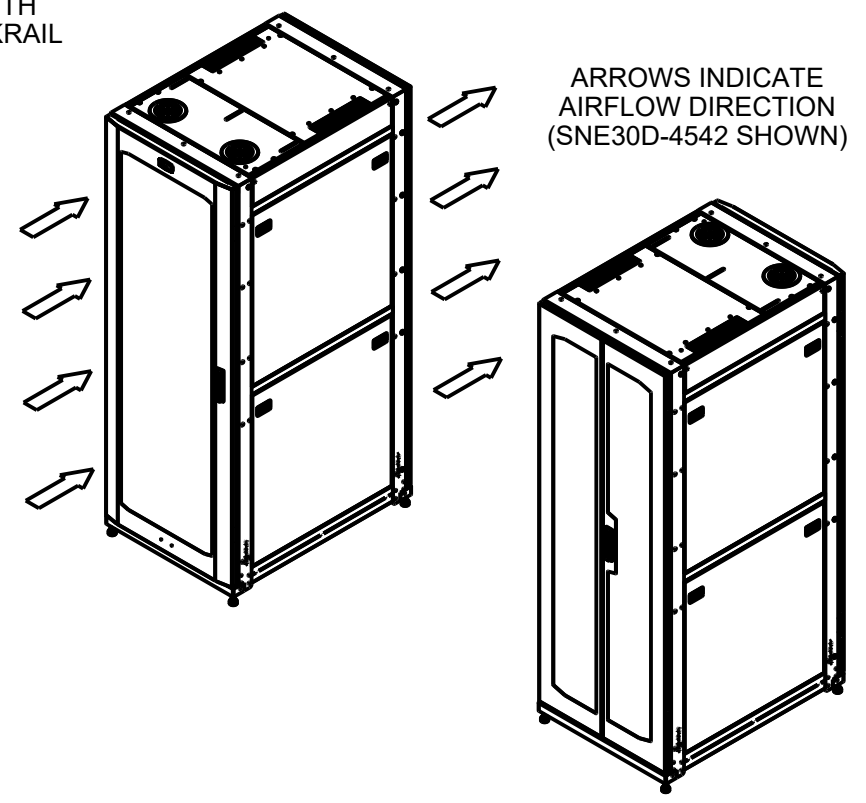
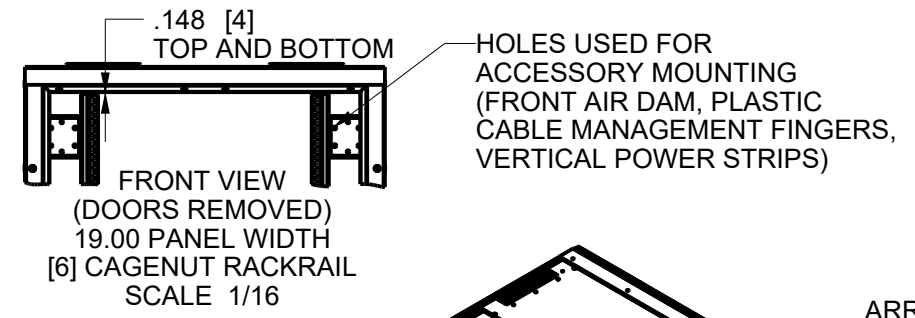
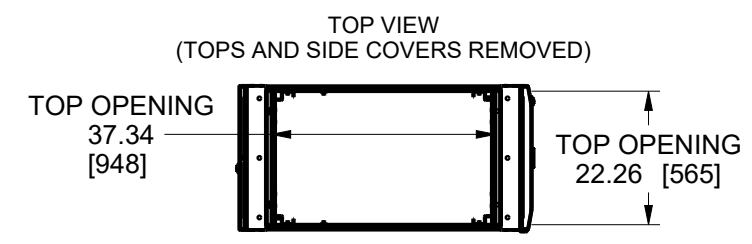
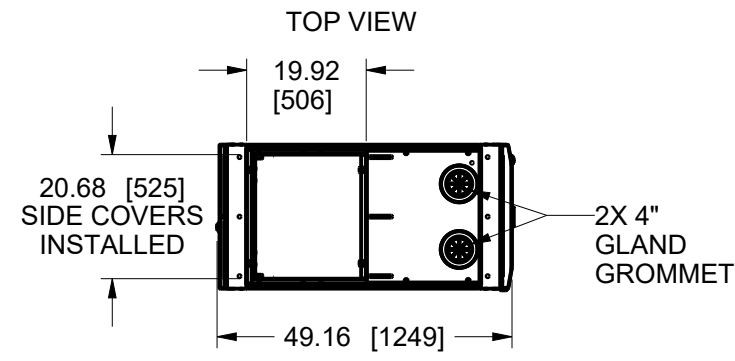


NOTES:
 1. ALL DIMENSIONS SHOWN IN FORMAT: INCHES [MM]
 2. FRONT DOOR, REAR DOORS, AND SIDE PANELS ARE KEYED THE SAME.

REV	DESCRIPTION	REV BY	REV DATE	APP'D BY	DATE APP.
A	PRODUCTION RELEASE	///	////	RA	12/31/21



DETAIL A
SCALE 1/8

PROJECTION: 1" ANGLE SCALE = 1/32 SHEET 1 OF 2	UNLESS OTHERWISE SPECIFIED, ALL DIMENSIONS ARE IN INCHES GENERAL TOLERANCES: DEC: 1 PLACE +/-0.1 ANGLE: +/-1° 2 PLACE +/-0.03 FRAC: +/-1/32 3 PLACE +/-0.010 HOLE SIZE: +/-0.002	APPROVALS MODELED SB DRAWN SB	DATE 12/20/21 12/15/21	MIDDLE ATLANTIC <small>Manufacturing</small>	TITLE SNE DIGITAL ENCLOSURE ---	DWG NO. SNE24D-4248-P1_TECH_SPEC DWG REV A
	THIS DRAWING CONTAINS TRADE INFORMATION DEEMED TO BE CONFIDENTIAL AND PROPRIETARY PROPERTY OF MIDDLE ATLANTIC PRODUCTS, INC. AND IS TO BE USED ONLY FOR THE PURPOSES FOR WHICH IT IS SUBMITTED AND FURTHER SHALL NOT BE COPIED IN WHOLE OR PART WITHOUT WRITTEN PERMISSION FIRST OBTAINED FROM MIDDLE ATLANTIC PRODUCTS, INC.				REF: 2018 REV B - 07/14/21	

1

2

3

4

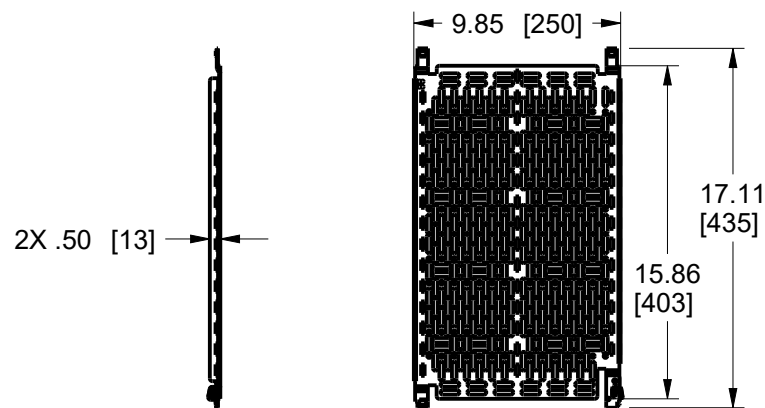
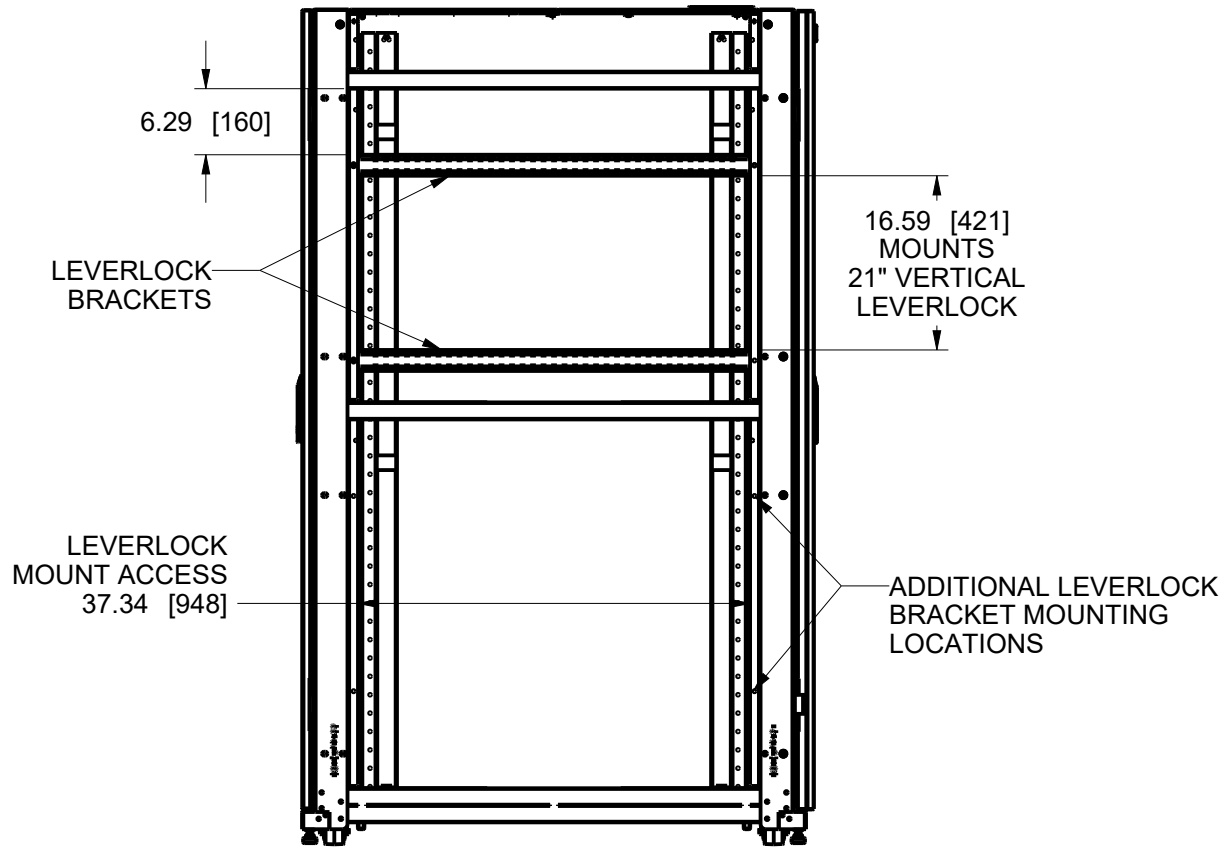
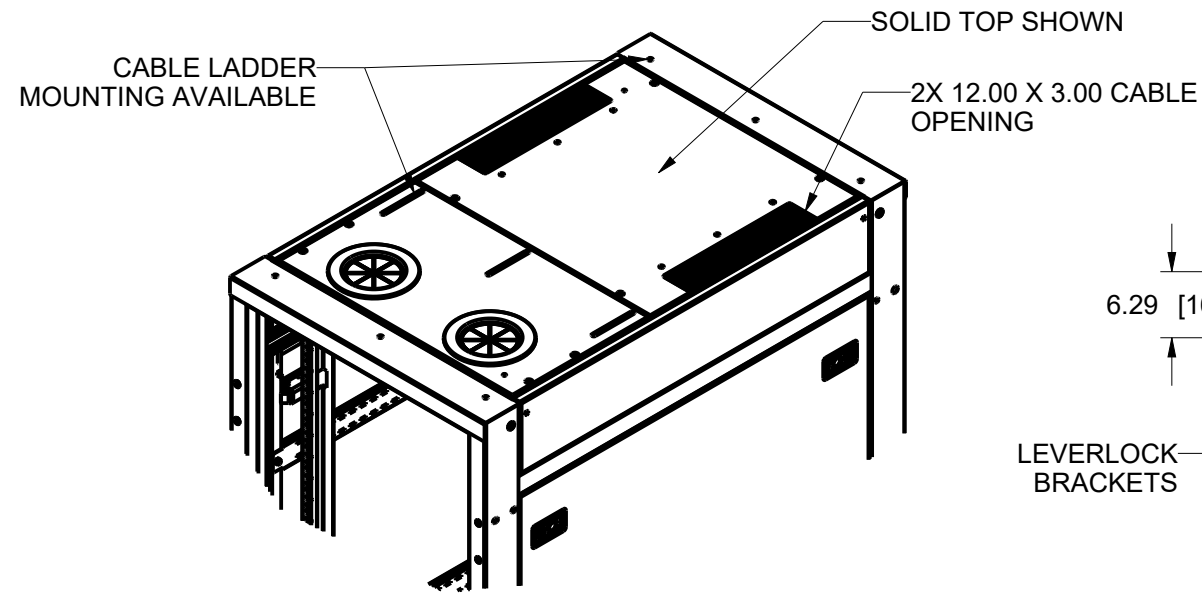
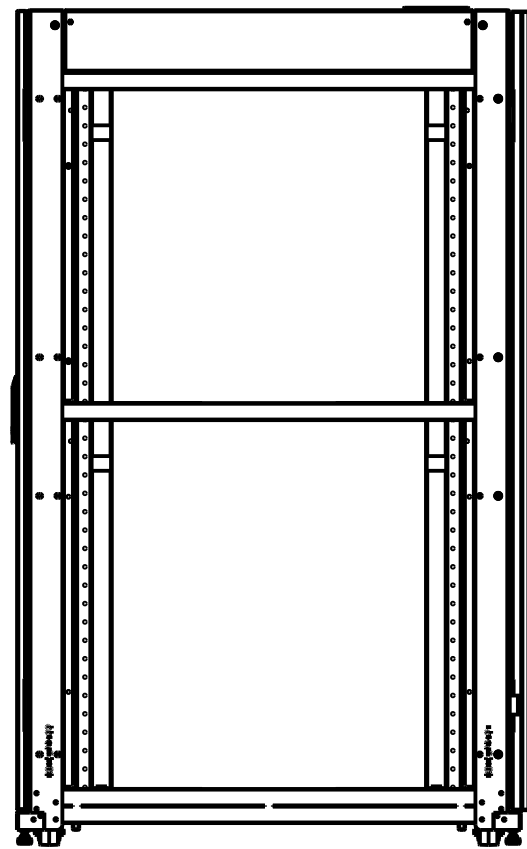
5

6

7

8

SIDE VIEW
(LEVERLOCK BRACKETS REMOVED)



LEVERLOCK DETAIL
LL-VP2110 SHOWN
(2 QTY INCLUDED)
SCALE 7/64

PROJECTION: 1" ANGLE
SCALE = 7/128
SHEET 2 OF 2

UNLESS OTHERWISE SPECIFIED, ALL DIMENSIONS ARE IN INCHES
 GENERAL TOLERANCES:
 DEC: 1 PLACE +/-0.1 ANGLE: +/-1°
 2 PLACE +/-0.03 FRAC: +/-1/32
 3 PLACE +/-0.010
 HOLE SIZE: +/-0.002

APPROVALS	DATE
MODELED SB	12/20/21
DRAWN SB	12/15/21

MIDDLE ATLANTIC

TITLE SNE DIGITAL ENCLOSURE

DWG NO. SNE24D-4248-P1_TECH_SPEC

DWG REV A