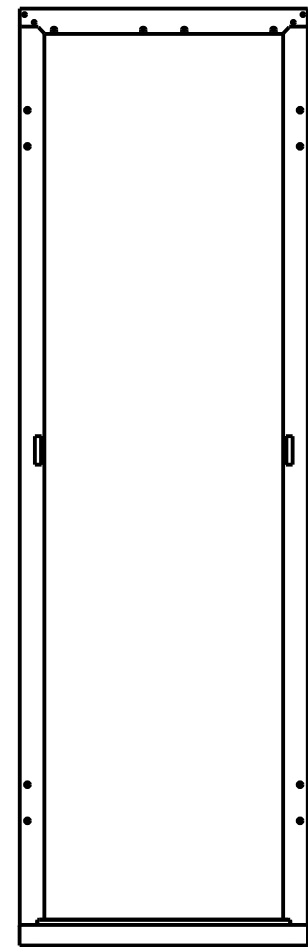
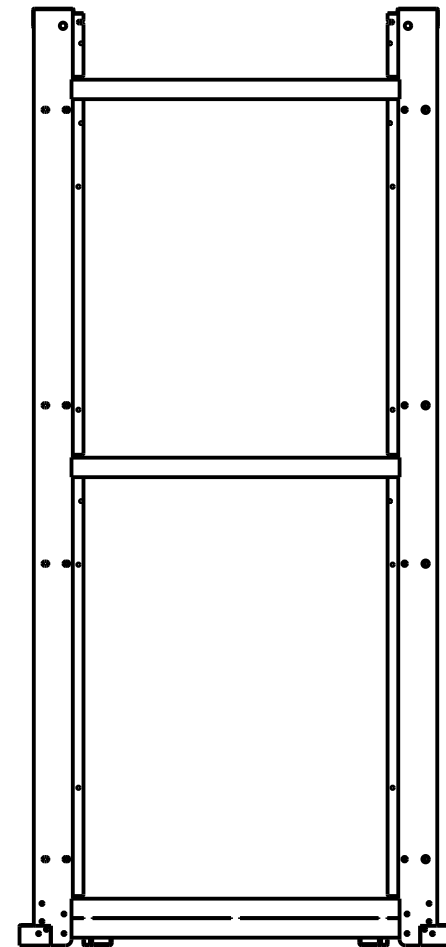


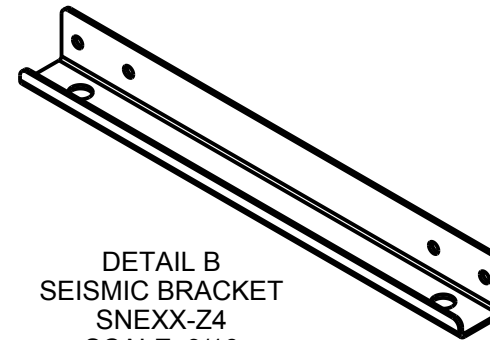
REV	DESCRIPTION	REV BY	REV DATE	APP'D BY	DATE APP.
-	PRODUCTION RELEASE	///	////	LM	09/15/14



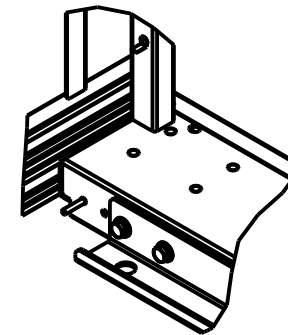
FRONT VIEW



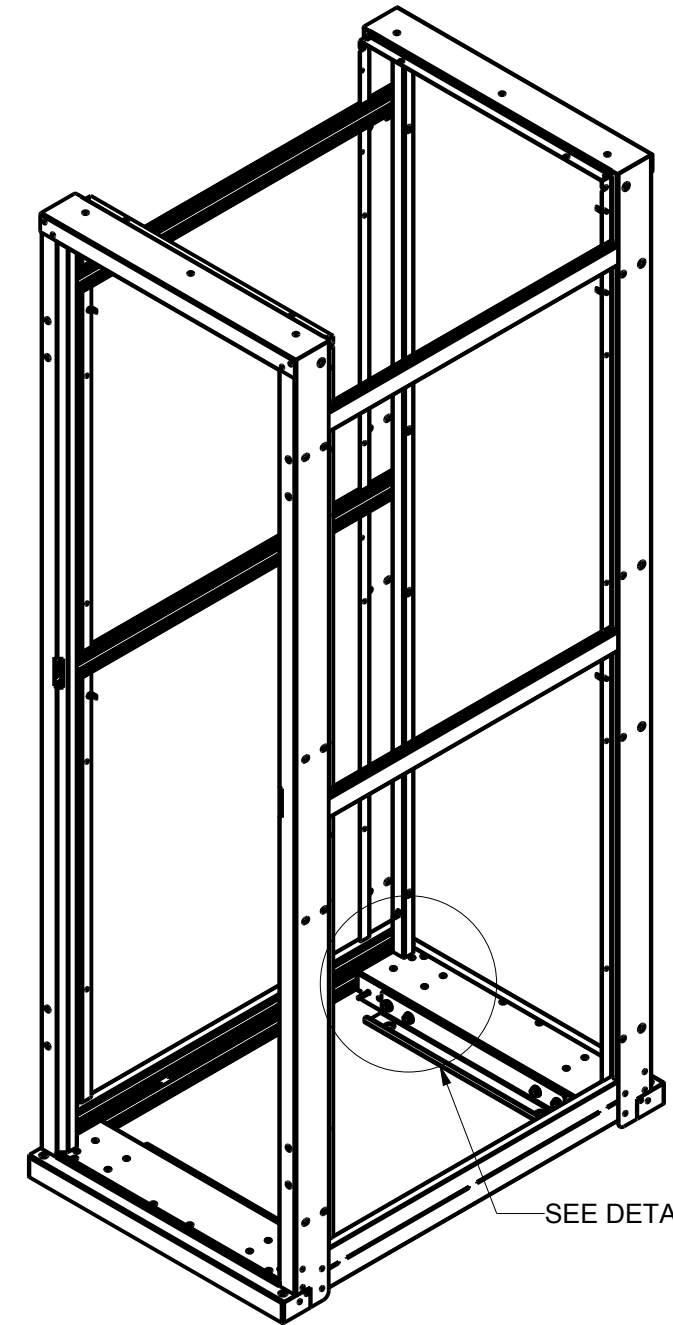
SIDE VIEW



DETAIL B
SEISMIC BRACKET
SNEXX-Z4
SCALE 3/16



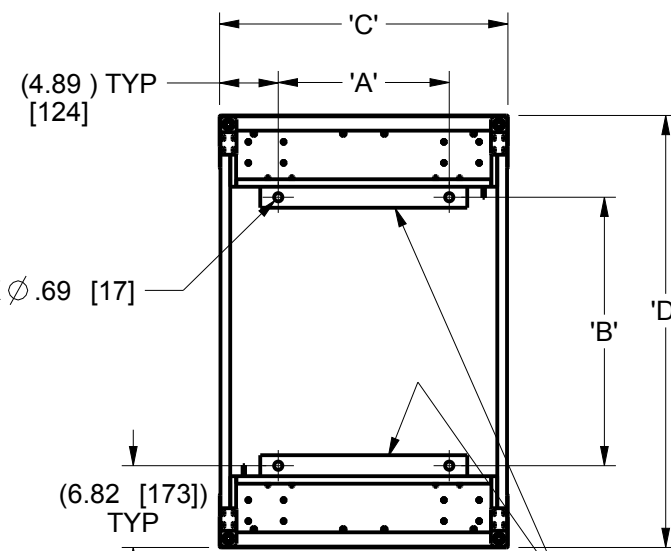
DETAIL A
SCALE 5/32



SCALE 5/64

SEE DETAIL A

SEISMIC BRACKET PART NUMBER	COMPATIBLE WITH SNE RACK FRAME	'A' WIDTH MTNG HOLE ϕ TO ϕ	'B' DEPTH MTNG HOLE ϕ TO ϕ	'C' WIDTH	'D' DEPTH
SNE24-Z4	SNE24-XX36	14.25 [362]	22.37 [568]	24.03 [610]	36.00 [914]
SNE24-Z4	SNE24-XX42	14.25 [362]	28.37 [721]	24.03 [610]	42.00 [1067]
SNE24-Z4	SNE24-XX48	14.25 [362]	34.37 [873]	24.03 [610]	48.00 [1219]
SNE27-Z4	SNE27-XX36	17.85 [453]	22.37 [568]	27.63 [702]	36.00 [914]
SNE27-Z4	SNE27-XX42	17.85 [453]	28.37 [721]	27.63 [702]	42.00 [1067]
SNE27-Z4	SNE27-XX48	17.85 [453]	34.37 [873]	27.63 [702]	48.00 [1219]
SNE30-Z4	SNE30-XX36	20.25 [514]	22.37 [568]	30.03 [763]	36.00 [914]
SNE30-Z4	SNE30-XX42	20.25 [514]	28.37 [721]	30.03 [763]	42.00 [1067]
SNE30-Z4	SNE30-XX48	20.25 [514]	34.37 [873]	30.03 [763]	48.00 [1219]



BOTTOM VIEW

SEE DETAIL B
ISOMETRIC VIEW

USED ON:	APPROVALS	DATE		TITLE SNE, SEISMIC, Z4, BRKT --
NEXT ASSY:	MODELED LM	01/29/14		
MATERIAL: SEE COMPONENTS	DRAWN RAR			
FINISH: --	UNLESS OTHERWISE SPECIFIED, ALL DIMENSIONS ARE IN INCHES GENERAL TOLERANCES: DEC: 1 PLACE ± 0.1 ANGLE: $\pm 1^\circ$ 2 PLACE ± 0.03 FRAC: $\pm 1/32$ 3 PLACE ± 0.010 HOLE SIZE: ± 0.002		PART NO. --	PART REV --
	SCALE = 1/16	PROJECTION: 1 st ANGLE	SIZE B	DXF NO. NONE
	SHEET 1 OF 1		DWG NO. 96-01217_SNE_Z4_BRKT	DWG REV --