

SNE Series

security network enclosure

configured with vented front/rear doors and cable management to address the needs of security systems consisting of analog and/or digital equipment and cabling

features:

- Fully welded construction provides the following weight capacities:
 - UL Listed load capacity – 3,000 lbs.
 - Caster load capacity – 1,600 lbs.
 - Seismic certified capacity – 1,060 lbs.
- Ships configured with
 - 70% vented Front and Split Rear Doors
 - Top option that accepts up to (3) 6" fans
 - Locking Side Panels
 - Cable duct or cable fingers
- Available in 24" and 30" widths
- 36" and 42" overall depths
- Includes 2 pairs of 10-32 threaded or cage nut fully adjustable rackrail
- Lever Lock™ compatible



specifications:

EIA compliant 19" gangable security network enclosure shall be Middle Atlantic Products model # SNE-___-CA (refer to chart). Overall dimensions shall be ___"H x ___"W x ___"D (refer to chart). Useable height shall be ___ rackspace, useable depth shall be ___" (refer to chart). Fully welded construction shall provide a UL Listed load capacity of 3,000 lbs., and casters shall provide a capacity of 1,600 lbs. SNE shall come equipped with two pairs of fully adjustable steel rackrail with tapped 10-32 or cage-nut mounting (refer to chart) in universal EIA spacing, black e-coat finish and numbered rackspace. SNE shall have pre-threaded 5/16"-18 ganging holes. SNE shall be capable of ganging while fully loaded, using bolts only. SNE shall have marked rackrail depth indicators. SNE shall be of fully welded construction. SNE shall include 70% vented front door, and split rear door. SNE shall have locking side panels. SNE shall include ___(cable fingers, duct, refer to chart) cable management. SNE shall be finished in an environmentally friendly, durable black powder coat. SNE Series enclosures shall satisfy the 2007, 2010 & 2013 CBC; 2006, 2009 & 2012 IBC; ASCE 7-05 (2005 Edition) & ASCE 7-10 (2010 Edition) for use in areas of high seismicity, Seismic Use Group III, Zone 4 or Seismic Design Category (SDC) "D" with lateral force requirements for protecting 1,060 lbs. of essential equipment in locations with the highest level of seismicity and top floor or rooftop installations with an Importance factor (Ip) of 1.5 when used with SNE-Z4 seismic floor anchor bracket. SNE shall be UL Listed in the US and Canada to the UL-2416 (NWIN) category. SNE shall be GREENGUARD Gold Certified. SNE enclosure shall be RoHS EU Directive 2011/65/EU and CSA C22.2 No. 60950-1 compliant. SNE shall be manufactured by an ISO 9001 and ISO 14001 registered company. SNE enclosure shall be warranted to be free from defects in material or workmanship under normal use and conditions for the lifetime of the rack.

Customizable specification clips available at middleatlantic.com

EIA/TIA COMPLIANT



PRODUCT CERTIFIED FOR
LOW CHEMICAL EMISSIONS
UL.COM/GG
UL 2818

options:

- Split lift-off cable chase shall be 4.4" wide and mount in-between enclosures, model # SNE-CC-___LT (refer to drawing for model number)
- Cable chase shall be model # SNE-___-CC12-45___ (refer to chart), and shall be 12" wide x ___" deep x 83.33" high
- Front air dam/zero-U panel mount shall be model # SNE-___-FAD-PM-___ (refer to drawing for model #)
- Bracket for top cable pass-through enclosure to enclosure shall provide the ability to pass cables from enclosure to enclosure when ganged together, and shall be model number SNE-TCB-___ (36, 42)
- 6" wide wire type vertical lace shall be model number LACE-WB6-___ (42, 45)
- Seismic Zone-4 and Seismic Use Group III compliancy floor anchor kit shall be model # SNE-Z4
- 6" fans shall be FAN-6
- 6" fan guards shall be GUARD-6

what **great systems** are built on.™

A Group brand | **legrand**

Middle Atlantic Products

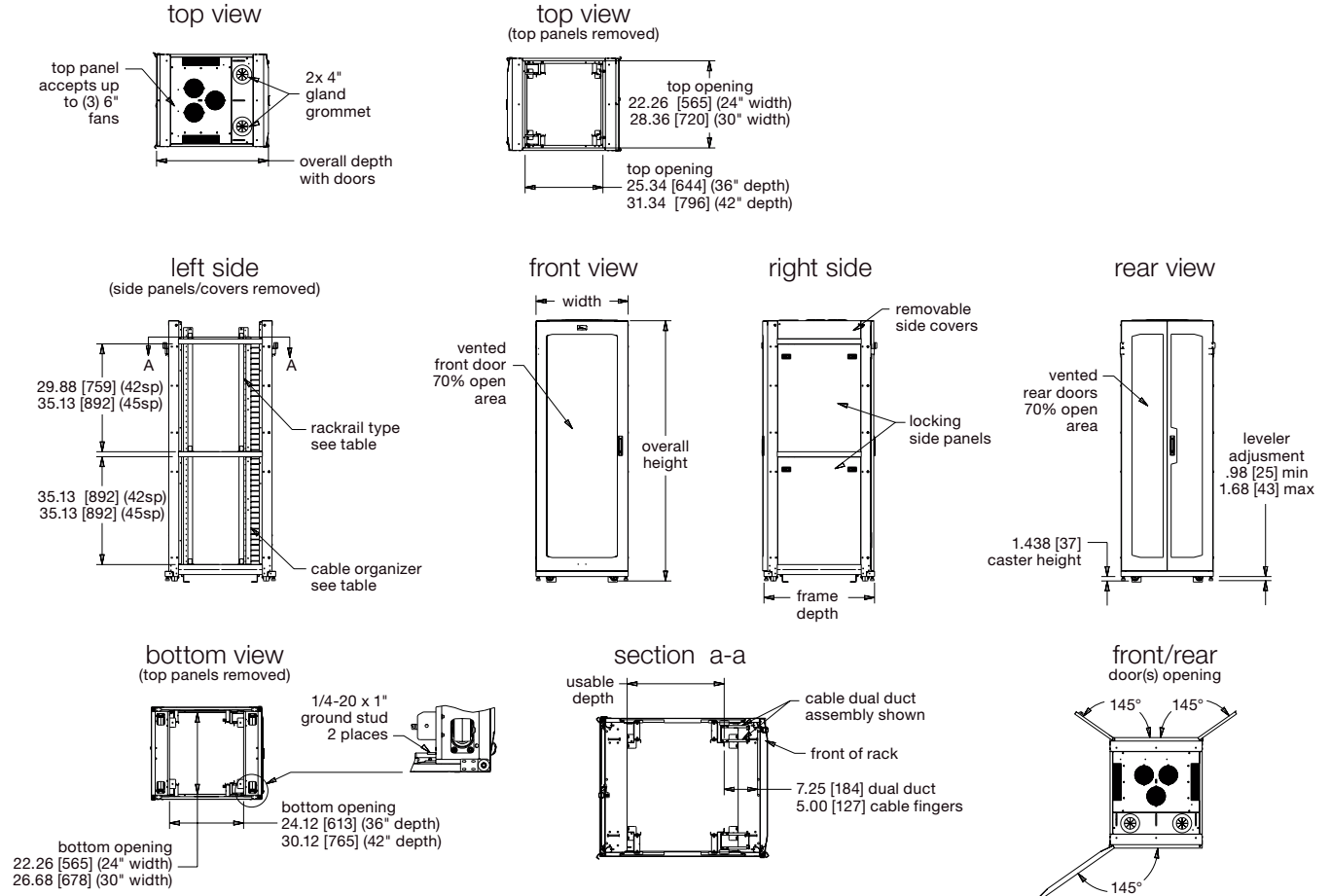
middleatlantic.com | middleatlantic.com

96-01223 / rev c / 6-20-17

SNE Series

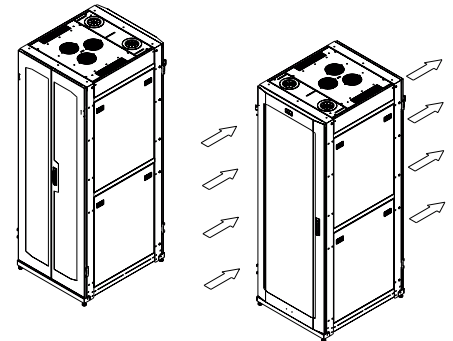
basic dimensions

all dimensions in inches unless otherwise noted [all dimensions in brackets are in millimeters]



Rack Spaces	Overall Height	Frame Height	Vented Doors	24.00 [609] Width	30.00 [762] Width	Rackrail Type	Cable Organizer
				42 [1067] Depth	36 [914] Depth		
42 space	79.52 [2020]	78.08 [1983]	yes	SNE24-4242PROCA	n/a	cage nut	cable fingers
42 space	79.52 [2020]	78.08 [1983]	yes	SNE24-4242103CA	n/a	10-32 thread	cable fingers
45 space	84.77 [2153]	83.33 [2117]	yes	n/a	SNE30-4536PROCA	cage nut	duct
45 space	84.77 [2153]	83.33 [2117]	yes	n/a	SNE30-45361032CA	10-32 thread	duct

Frame Depth	Useable Depth	Overall Depth (with doors)
36.00 [914]	25.75 [654]	37.15 [944]
42.00 [1067]	31.00 [787]	43.15 [1096]



Note:
Front door, rear doors, and side panels are keyed the same

what great systems are built on.™

A Group brand | **legrand**

MA

Middle Atlantic Products

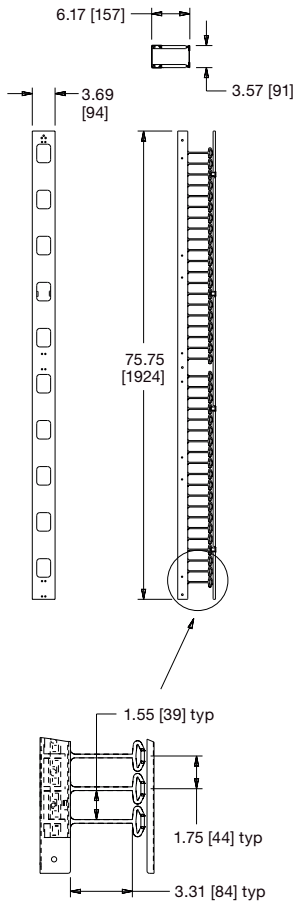
middleatlantic.com | middleatlantic.ca

SNE Series

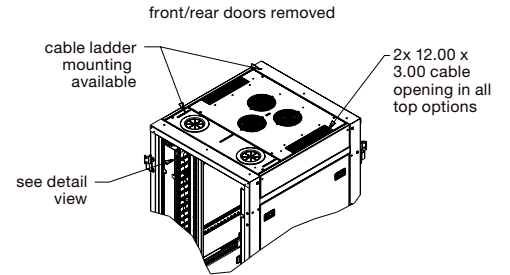
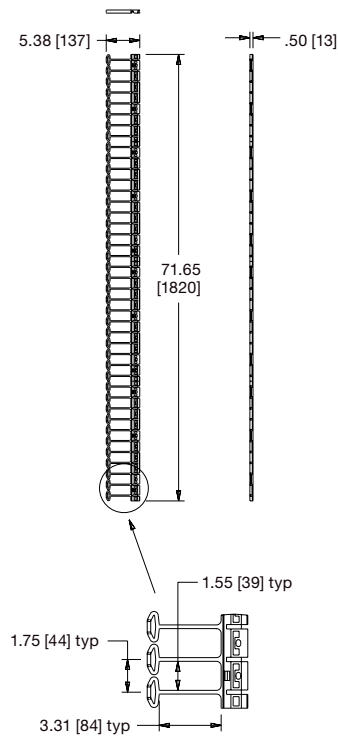
basic dimensions

all dimensions in inches unless otherwise noted [all dimensions in brackets are in millimeters]

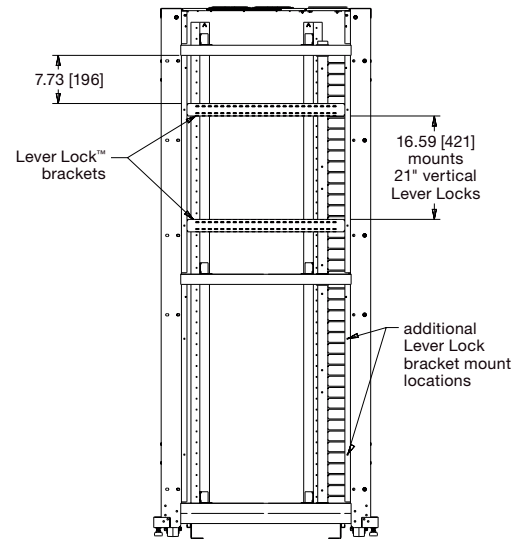
cable organizer duct



cable organizer cable fingers



side view (wire lace removed)

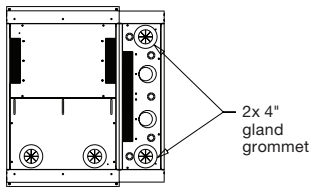


SNE Series

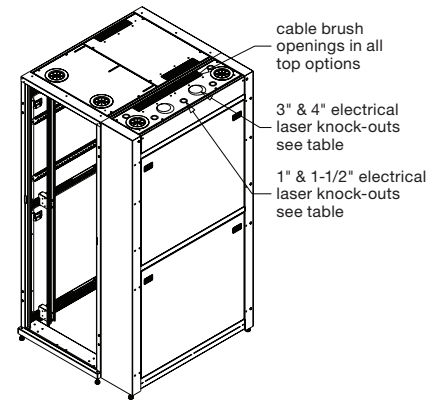
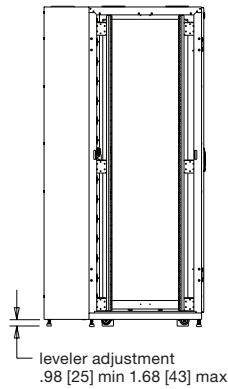
cable chase basic dimensions

all dimensions in inches unless otherwise noted [all dimensions in brackets are in millimeters]

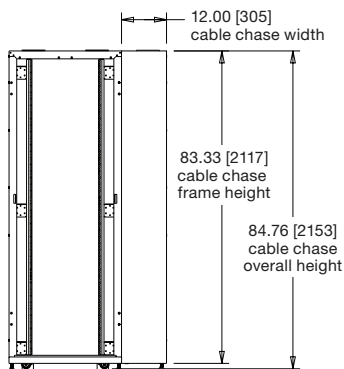
top view



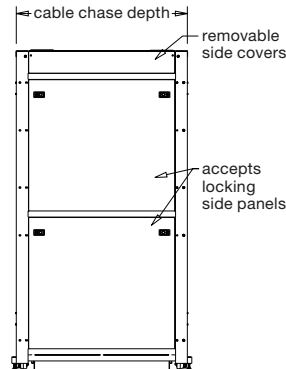
rear view



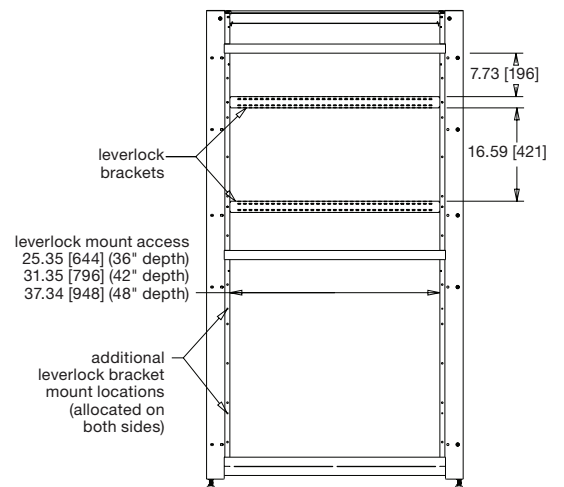
front view



right side



cable chase side view (without side panels)



- Notes:
1. cable chase shown mounted on a SNE rack enclosure
 2. cable chase can be mounted on left or right side of rack

Cable Chase Part Number	Cable Chase Depth	1" & 1-1/2" LKO (Qty)	4" & 5" LKO (Qty)	Fits SNE Racks
SNE-CCE12-4536	36.00 [914]	4	1	SNEXX-4536-XX
SNE-CCE12-4542	42.00 [1067]	4	1	SNEXX-4542-XX
SNE-CCE12-4548	48.00 [1219]	5	2	SNEXX-4548-XX