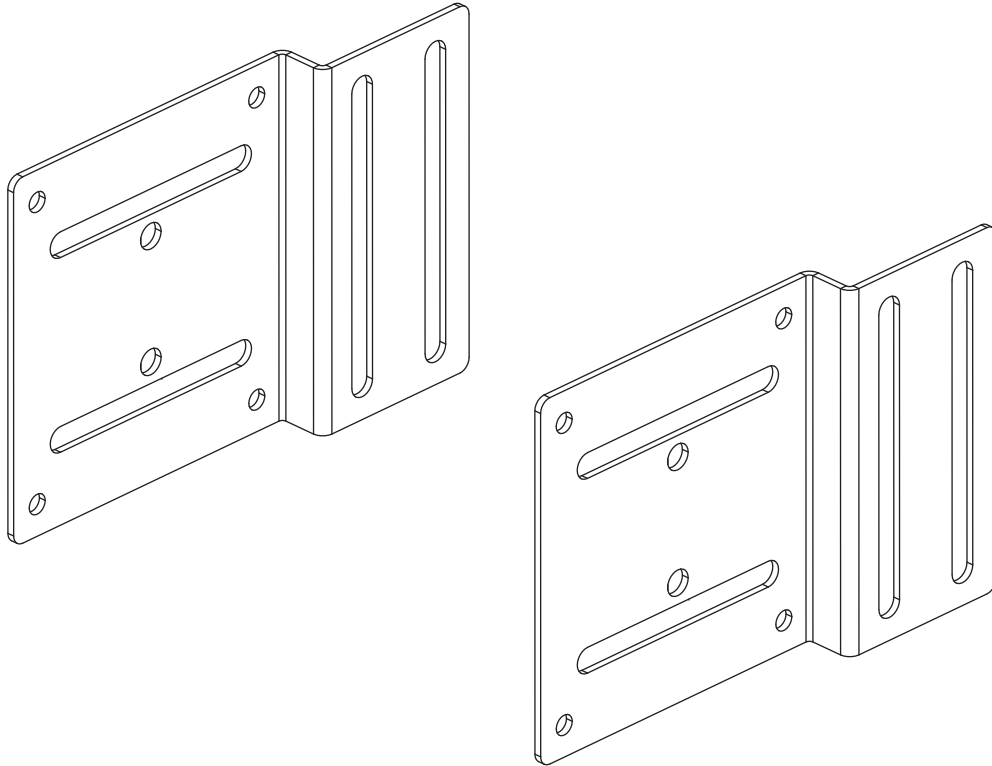


INSTRUCTION SHEET

PB-DWR

POWER MOUNTING BRACKET



THANK YOU

Thank you for purchasing a PB-DWR power bracket. Please read these instructions thoroughly before installing or assembling this product.

PRODUCT FEATURES

- Mounts vertical power strips in DWR and SR Series wall racks.
- Works with mounting clips for PDT Series and PD Series power strips.



**MIDDLE
ATLANTIC**

A brand of **legrand**

I-2404

Rev G



©2026 | Legrand AV Inc. All rights reserved.

Information in this document is subject to change without notice. The AV equipment described in this document is furnished under a license agreement or nondisclosure agreement. The equipment may be used or copied only in accordance with the terms of those agreements. No part of this publication may be reproduced, stored in a retrieval system, or transmitted in any form or any means electronic or mechanical, including photocopying and recording for any purpose other than the purchaser's personal use without the written permission of Legrand AV Inc.

Middle Atlantic is a brand of Legrand AV Inc.
www.legrandav.com | Phone: (866) 977-3901 | Fax: (877) 894-6918 | Email: av.middleatlantic.techsupport@legrand.com

Visit us at www.legrandav.com for firmware updates, specifications, drawings, manuals, technical support information, and more.

Middle Atlantic is a registered trademark of Legrand AV Inc.
Legrand AV Inc is an ISO 9001 and ISO 14001 Registered Company.
All patents are protected under existing designations. Other patents pending. For more information, refer to the Patents page on the website at <https://www.legrandav.com/resources/patents>.
All other brand names or marks are used for identification purposes and are trademarks of their respective owners.

Legrand AV Inc Brands: Connectrac | C2G | Chief | Da-Lite | Luxul | Middle Atlantic | Nuvo | On-Q | Sanus | Vaddio | Vantage | Wiremold

IMPORTANT SAFETY INSTRUCTIONS - EN

- Read these instructions.
- Heed all warnings.
- Clean only with dry cloth.
- Keep these instructions.
- Follow all instructions.
- Only use attachments/accessories specified by the manufacturer.



DANGER HAZARDOUS VOLTAGE: The lightning flash with the arrowhead symbol, within an equilateral triangle is intended to alert the user to the presence of uninsulated dangerous voltage within the product's enclosure that may be of sufficient magnitude to constitute a risk of electric shock to persons.



WARNING: A warning alerts you to a situation that could result in serious personal injury or death.



CAUTION: A caution alerts you to a situation that may result in minor personal injury or damage to the product and/or property.

NOTE: A note is used to highlight procedures pertaining to the installation, operation, or maintenance of the product.



WARNING: Middle Atlantic, electrical systems conform to and should be properly grounded in compliance with requirements of the current National Electrical Code or codes administered by local authorities. All electrical products may present a possible shock or fire hazard if improperly installed or used. Electrical products may bear the mark of a Nationally Recognized Testing Laboratory (NRTL) and should be installed in conformance with current local code and regulations.



WARNING: Exceeding the weight ratings listed can result in serious injury or damage to the equipment. It is the responsibility of the Installer/User to ensure the components installed do not surpass the weight ratings as an unstable condition can occur which may cause possible injury or damage.



CAUTION: If there is visible damage on the product, it must not be installed.



CAUTION: Safety measures must be practiced at all times during the assembly of this product. Use proper safety equipment and tools for the assembly procedure to prevent personal injury.



CAUTION: Note that during construction, there must be no possibility of personal injury, for example the squeezing of fingers or arms.



CAUTION: For loading, always put heavier items at the bottom of the bays, not near the top, in order to help prevent the possibility of the furnishing tipping over.



CAUTION: The appliance is not intended for use by young children or infirm persons without supervision.

INSTRUCCIONES DE SEGURIDAD IMPORTANTES - ES

- Lea estas instrucciones.
- Preste atención a todas las advertencias.
- Limpie solamente con un paño seco.
- Guarda estas instrucciones.
- Siga todas las instrucciones
- Utilice únicamente accesorios especificados por el fabricante.



PELIGRO VOLTAJE PELIGROSO: El rayo con el símbolo de punta de flecha dentro de un triángulo equilátero alerta al usuario de la presencia de voltaje peligroso no aislado dentro del producto que puede ser de suficiente magnitud como para constituir un riesgo de descarga eléctrica para las personas.



ADVERTENCIA: Una advertencia lo alerta sobre una situación que podría ocasionar lesiones personales graves o la muerte.



PRECAUCIÓN: Una precaución lo alerta sobre una situación que puede ocasionar lesiones personales menores o daños al producto o a la propiedad.

NOTA: Se utiliza una nota para resaltar los procedimientos relacionados con la instalación, operación o mantenimiento del producto.



ADVERTENCIA: En la región del Atlántico Medio, los sistemas eléctricos deben cumplir y estar correctamente conectados a tierra de conformidad con los requisitos del Código Eléctrico Nacional vigente o los códigos administrados por las autoridades locales. Todos los productos eléctricos pueden presentar un posible riesgo de descarga eléctrica o incendio si se instalan o utilizan de forma incorrecta. Los productos eléctricos pueden llevar la marca de un laboratorio de pruebas reconocido a nivel nacional (NRTL) y deben instalarse de conformidad con el código y las normativas locales vigentes.



PRECAUCIÓN: La superación de los pesos nominales indicados puede provocar lesiones graves o daños en el equipo. Es responsabilidad del instalador/usuario asegurarse de que los componentes instalados no excedan las notas de peso como una condición inestable puede ocurrir que puede causar lesiones o daños.



PRECAUCIÓN: Si hay daños visibles en el producto, no debe ser instalado.



PRECAUCIÓN: Se deben implementar medidas de seguridad en todo momento durante el montaje de este producto. Utilizar equipos y herramientas de seguridad adecuados para los procedimientos de para evitar lesiones.



PRECAUCIÓN: Tenga en cuenta que durante la construcción no debe haber riesgo de lesiones, como por ejemplo aplastar los dedos o los brazos.



PRECAUCIÓN: Para la carga, coloque siempre artículos más pesados en la parte inferior de las bahías, no cerca de la parte superior, para evitar la posibilidad de inclinación de los muebles.



PRECAUCIÓN: El dispositivo no está diseñado para ser utilizado por niños pequeños o personas con discapacidad sin supervisión.

INSTRUCTIONS IMPORTANTES SUR LA SÉCURITÉ - FR

- Lire ces instructions.
- Respectez tous les avertissements.
- Nettoyer uniquement avec un chiffon sec.
- Conservez ces instructions.
- Suivez toutes les instructions.
- N'utilisez que des accessoires spécifiés par le fabricant.



DANGER TENSION DANGEREUSE: Le symbole de la pointe de flèche, dans un triangle équilatéral, est destiné à alerter l'utilisateur sur la présence de tension dangereuse non isolée dans l'enceinte du produit qui peut être d'une ampleur suffisante pour constituer un risque d'électrocution.



AVERTISSEMENT: Un avertissement vous avertit d'une situation pouvant entraîner des blessures graves ou la mort.



ATTENTION: Une attention vous avertit d'une situation pouvant entraîner des blessures mineures ou des dommages au produit et/ou à la propriété.



REMARQUE: Une remarque est utilisée pour mettre en évidence les procédures relatives à l'installation, au fonctionnement ou à l'entretien du produit.

AVERTISSEMENT: Dans la région du Middle Atlantic, les systèmes électriques sont conformes et doivent être correctement mis à la terre, conformément aux exigences du Code national de l'électricité en vigueur ou des codes administrés par les autorités locales. Tous les produits électriques peuvent présenter un risque d'électrocution ou d'incendie s'ils sont mal installés ou utilisés. Les produits électriques peuvent porter la marque d'un laboratoire d'essai reconnu au niveau national (NRTL) et doivent être installés conformément aux codes et réglementations locaux en vigueur.

INSTRUCTIONS DE SÉCURITÉ IMPORTANTES (SUITE) - FR



AVERTISSEMENT: Le dépassement des poids nominaux indiqués peut entraîner des blessures graves ou des dommages à l'équipement. C'est l'responsabilité de l'installateur/utilisateur de s'assurer que les composants installés ne dépassent pas les notes de poids comme un instable condition peut se produire qui peut causer des blessures ou dommages.



ATTENTION: S'il ya des dommages visibles sur le produit, il ne doit pas être installé.



ATTENTION: Des mesures de sécurité doivent être mises en œuvre en tout temps lors de l'assemblage de ce produit. Utiliser un équipement et des outils de sécurité appropriés pour la procédures de afin d'éviter les blessures.



ATTENTION: Notez que pendant la construction, il ne doit pas y avoir de risque de blessure, comme par exemple le écraser des doigts ou des bras.



ATTENTION: Pour le chargement, placez toujours des articles plus lourds au bas des baies, pas près du sommet, afin d'éviter la possibilité de basculement de l'ameublement.



ATTENTION: L'appareil n'est pas destiné à être utilisé par des enfants en bas âge ou des personnes infirmes sans surveillance.

REQUIRED TOOLS

- #2 Phillips Screwdriver
- Flat Head Screwdriver



WARNING: Use tools with caution and follow all necessary safety protocols.

ADVERTENCIA: Utilice las herramientas con precaución y siga todos los protocolos de seguridad necesarios.

AVERTISSEMENT: Utiliser des outils avec prudence et suivre tous les protocoles de sécurité nécessaires.

MOUNTING FOR PDT SERIES THIN POWER DISTRIBUTION UNITS (PDU)

NOTE: Requires Middle Atlantic enclosure and PDU, sold separately.

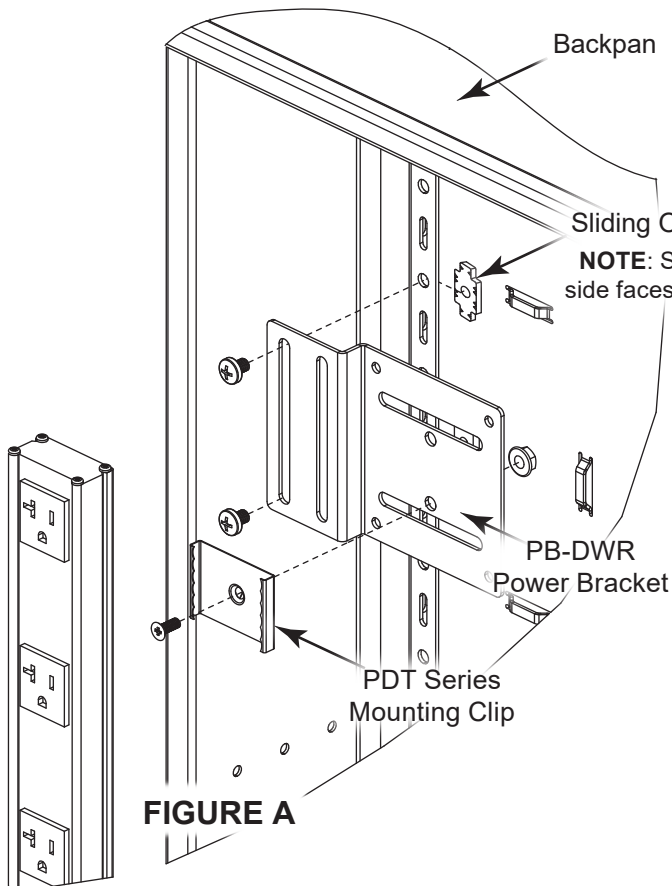


FIGURE A

1. Use a #2 Phillips screwdriver, screws, and nuts to attach the mounting clips provided with your PTD Series power strip to the PB-DWR power brackets. **(FIGURE A)**
2. Use screwdriver, bracket screws and oval nuts to mount the brackets to the desired upper and lower positions in your enclosure as shown.
3. Gently tap the PDU into each mounting clip using the palm of your hand.

TIP: Remove the power strip from the power mounting clips by wedging a flat head screwdriver between the side of the power strip and mounting clip, and gently pry them from each other as shown. **(FIGURE B)**

NOTE: Top view of PDU and clip shown.

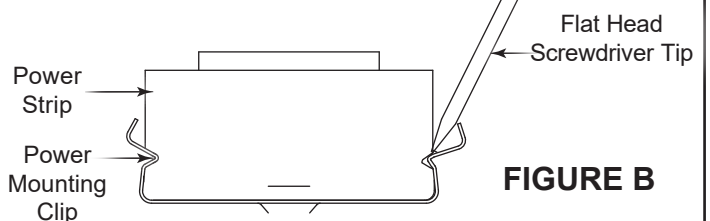


FIGURE B

MOUNTING FOR PD SERIES POWER DISTRIBUTION UNITS (PDU)

NOTE: Requires Middle Atlantic enclosure and PDU, sold separately.

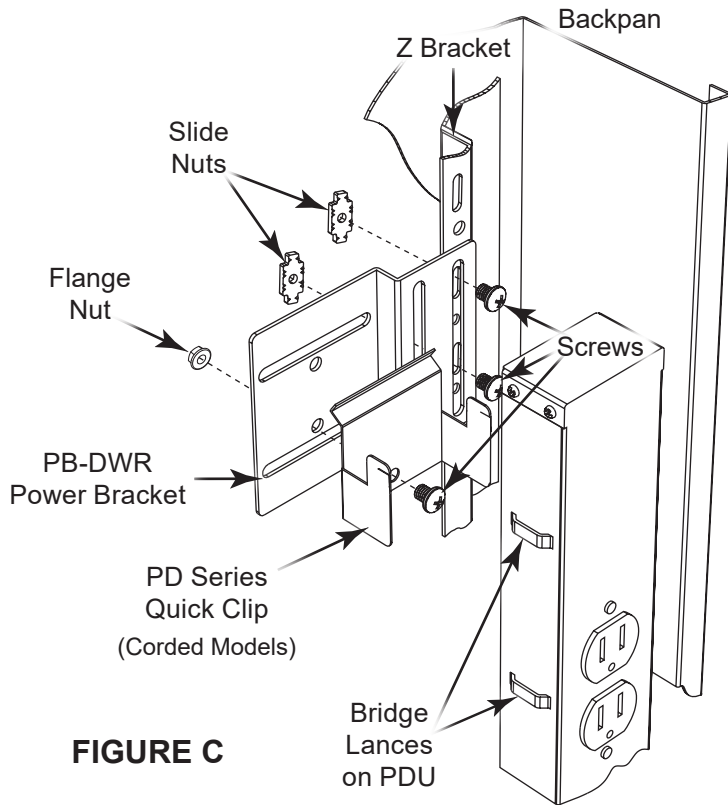


FIGURE C

1. Use #2 Phillips screwdriver, quick clip screw, and flange nut to attach a quick clip onto each power bracket. **(FIGURE C)**
2. Use screwdriver, power bracket screws, and slide nuts (serrated side facing bracket) to mount one of the power bracket assemblies onto the desired upper Z bracket position on the backpan as shown.

NOTE: Ensure a minimum of 1" (25 mm) spacing is between the top of the power strip and top of the rack for adequate installation and removal.

3. Hook the bridge lance on your PDU onto the installed quick clip and let the PDU hang.
4. Slide the lower power bracket assembly onto the bridge lances on the lower part of your PDU to line up with the mounting holes on the backpan.
5. Use screwdriver, power bracket screws, and slide nuts (serrated side facing bracket) to mount the lower power bracket to the Z bracket on the backpan.

NOTE:

- Quick clips (2 provided) are used for hard-wired PD Series models. **(FIGURE D)**
- After hanging PDU, bend quick clip tabs to fix the unit in place.

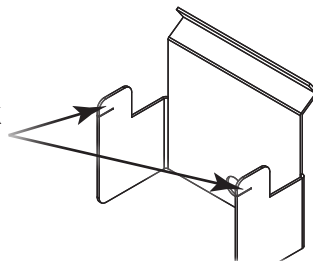


FIGURE D

WARRANTY

For warranty information, refer to www.legrandav.com/policies/warranty_information.

Contacting Corporate Headquarters

P: (866) 977-3901 | F: (877) 894-6918 | www.legrandav.com | av.support@legrand.com

Contacting Middle Atlantic Canada

P: (888) 766-9770 | F: (888) 599-5009 | www.legrand.ca/middle-atlantic-products | av.canada.customerservice@legrand.com

Contacting Middle Atlantic Europe, Middle East, and Africa (EMEA) Technical Support

P: +31 495-726-003 | av.emea.middleatlantic.support@legrand.com

United States (US)

Legrand | AV Headquarters
10900 Red Circle Drive
Minnetonka, MN, 55343, USA

European Union (EU)

Legrand AV Netherlands
B.V. Franklinstraat 14 6003
DK, Weert, Netherlands

United Kingdom (UK)

Starline Holding Technology Ltd.
(Authorized Representative)
Unit C, Island Rd.
Reading RG2, 0RP- UK

At Legrand AV Inc we are always listening. Your comments are welcome.

Legrand AV is an ISO 9001 and ISO 14001 Registered Company.

MIDDLE ATLANTIC®

A brand of  **legrand®**