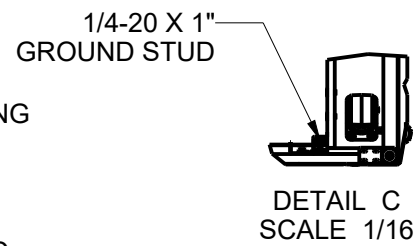
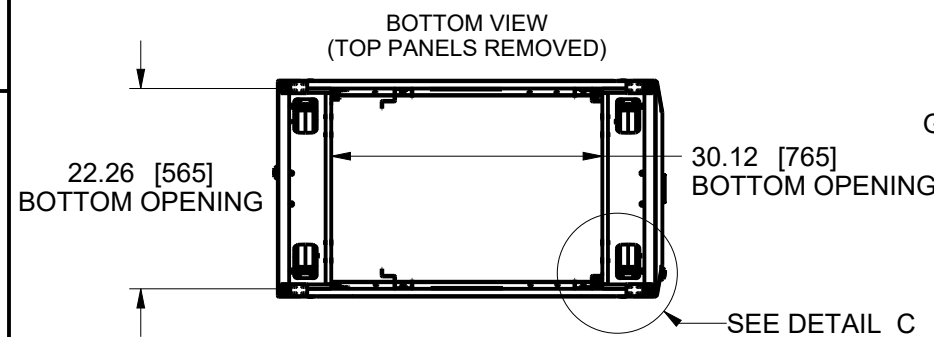
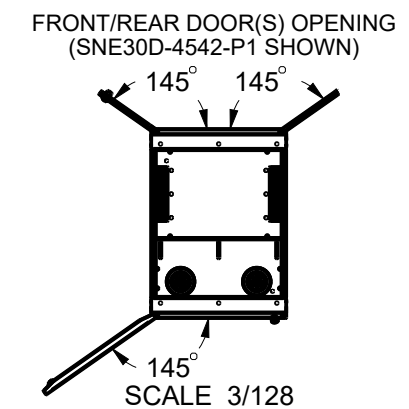
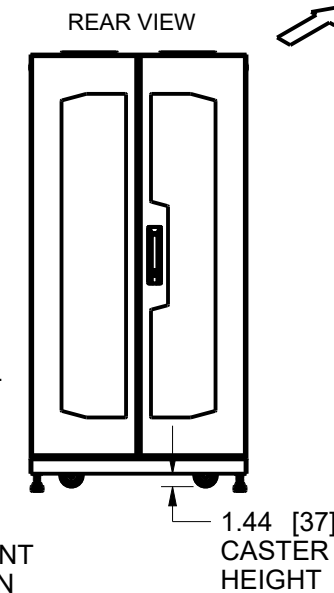
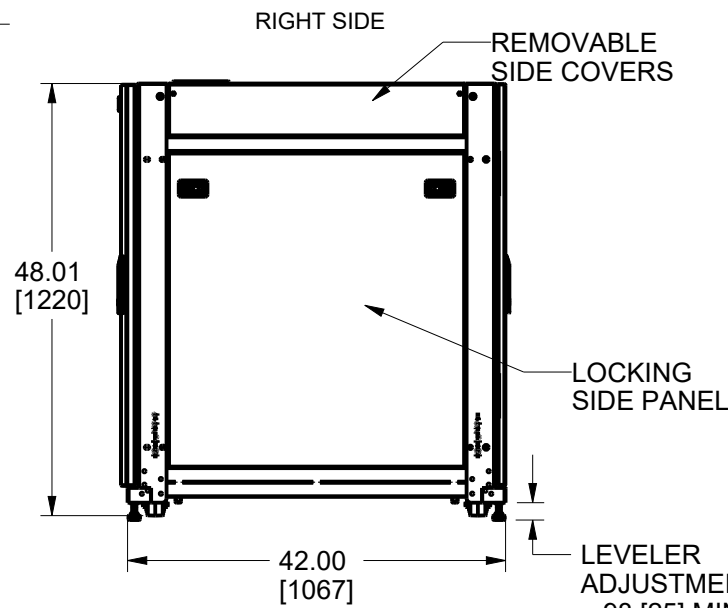
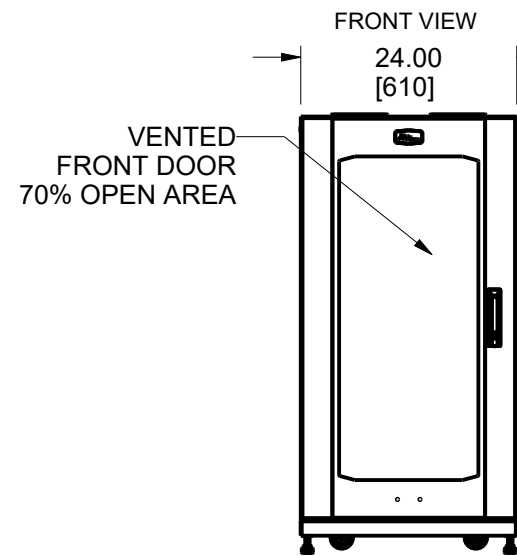
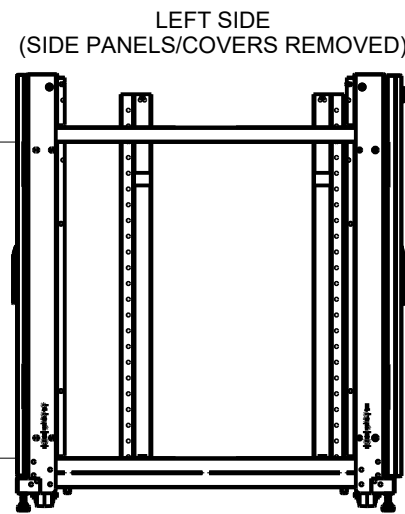
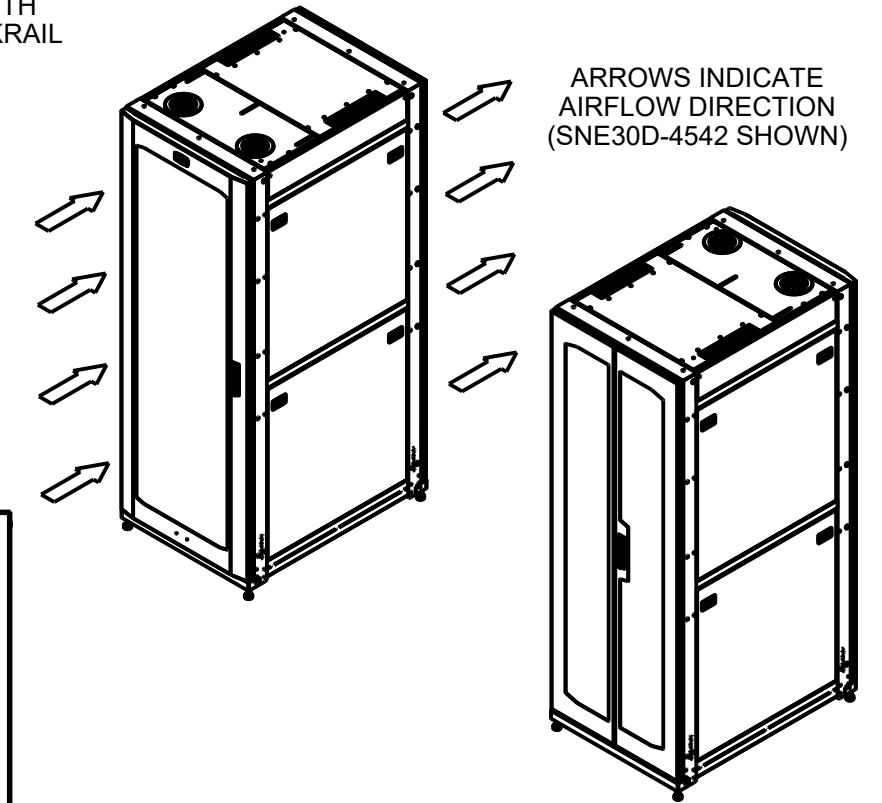
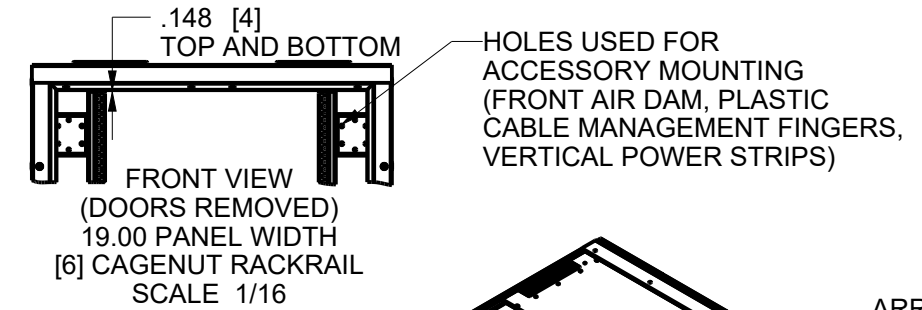
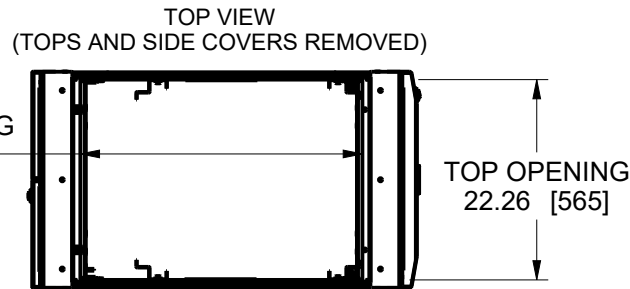
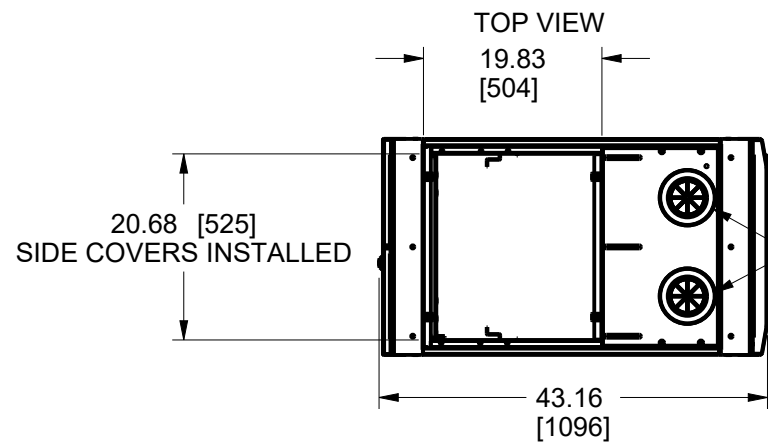


NOTES:
 1. ALL DIMENSIONS SHOWN IN FORMAT: INCHES [MM]
 2. FRONT DOOR, REAR DOORS, AND SIDE PANELS ARE KEYED THE SAME.

REV	DESCRIPTION	REV BY	REV DATE	APP'D BY	DATE APP.
A	PRODUCTION RELEASE	///	////	RA	12/31/21



PROJECTION: 1" ANGLE	UNLESS OTHERWISE SPECIFIED, ALL DIMENSIONS ARE IN INCHES GENERAL TOLERANCES: DEC: 1 PLACE +/-0.1 ANGLE: +/-1° 2 PLACE +/-0.03 FRAC: +/-1/32 3 PLACE +/-0.010 HOLE SIZE: +/-0.002	APPROVALS	DATE
SCALE = 3/64		MODELED SB	12/20/21
SIZE B	SHEET 1 OF 2	DRAWN SB	12/15/21

MIDDLE ATLANTIC

TITLE SNE DIGITAL ENCLOSURE

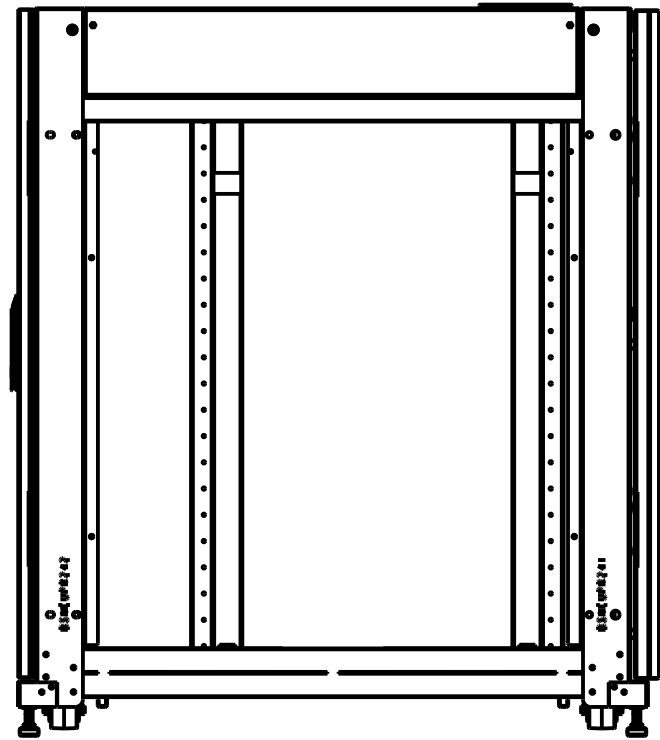
DWG NO. SNE24D-2442-P1_TECH_SPEC DWG REV A

THIS DRAWING CONTAINS TRADE INFORMATION DEEMED TO BE CONFIDENTIAL AND PROPRIETARY PROPERTY OF MIDDLE ATLANTIC PRODUCTS, INC. AND IS TO BE USED ONLY FOR THE PURPOSES FOR WHICH IT IS SUBMITTED AND FURTHER SHALL NOT BE COPIED IN WHOLE OR PART WITHOUT WRITTEN PERMISSION FIRST OBTAINED FROM MIDDLE ATLANTIC PRODUCTS, INC.

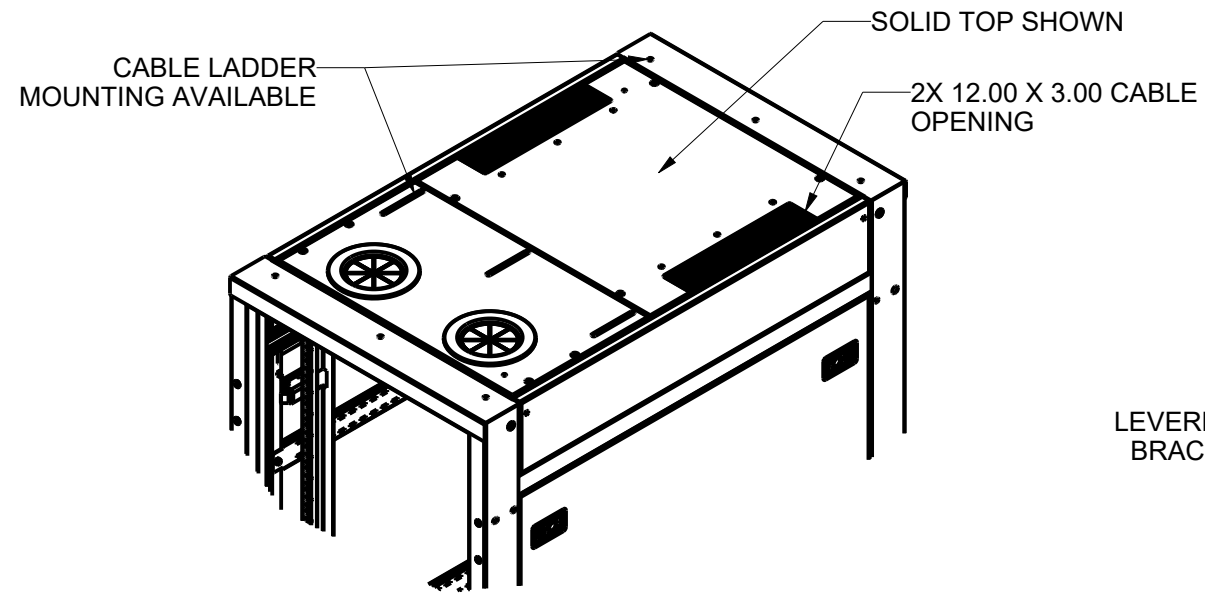
1 2 3 4 5 6 7 8

A

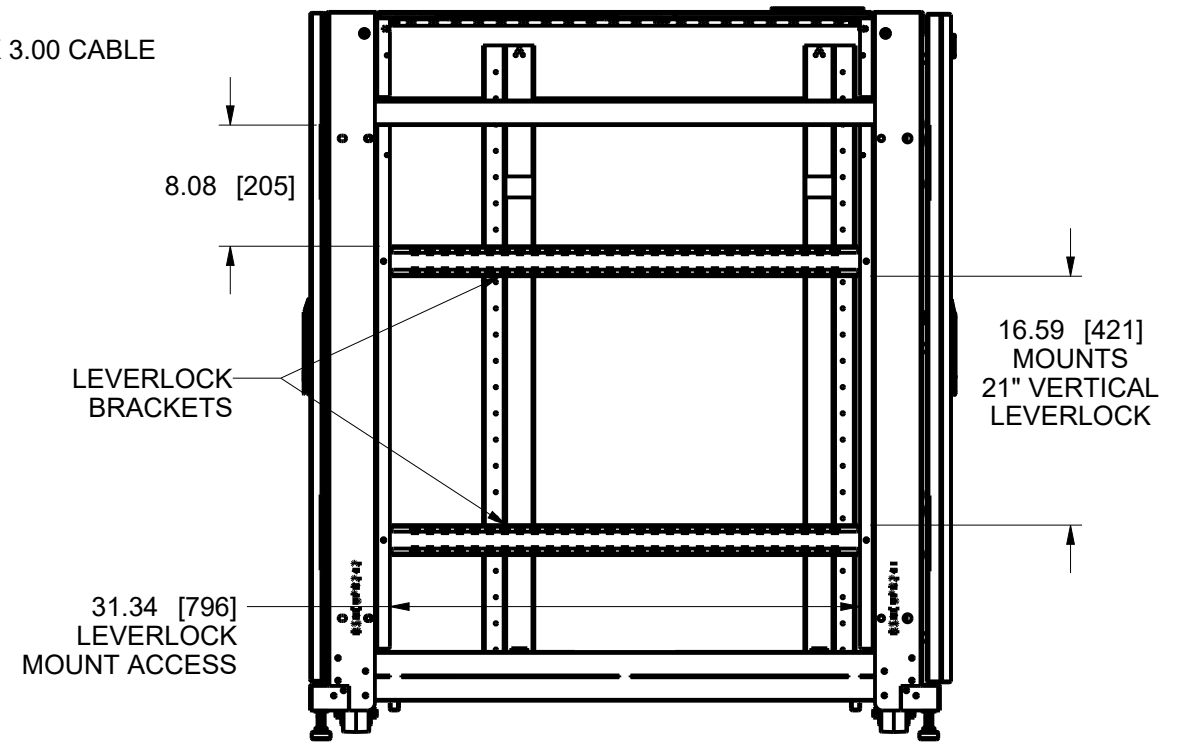
SIDE VIEW
(LEVERLOCK BRACKETS REMOVED)



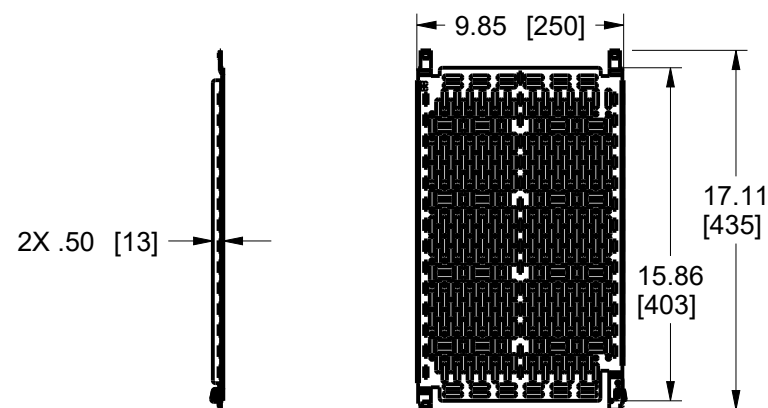
B



C



D



LEVERLOCK DETAIL
LL-VP2110 SHOWN
(2 QTY INCLUDED)
SCALE 7/64

E

PROJECTION: 1" ANGLE	UNLESS OTHERWISE SPECIFIED, ALL DIMENSIONS ARE IN INCHES
SCALE = 13/64	GENERAL TOLERANCES:
SIZE B	DEC: 1 PLACE +/-0.1 ANGLE: +/-1°
SHEET 2 OF 2	2 PLACE +/-0.03 FRAC: +/-1/32
	3 PLACE +/-0.010
	HOLE SIZE: +/-0.002

APPROVALS	DATE
MODELED MAG	08/16/11
DRAWN SB	12/15/21

MIDDLE ATLANTIC

TITLE SNE DIGITAL ENCLOSURE

DWG NO. SNE24D-2442-P1_TECH_SPEC

DWG REV A

THIS DRAWING CONTAINS TRADE INFORMATION DEEMED TO BE CONFIDENTIAL AND PROPRIETARY PROPERTY OF MIDDLE ATLANTIC PRODUCTS, INC. AND IS TO BE USED ONLY FOR THE PURPOSES FOR WHICH IT IS SUBMITTED AND FURTHER SHALL NOT BE COPIED IN WHOLE OR PART WITHOUT WRITTEN PERMISSION FIRST OBTAINED FROM MIDDLE ATLANTIC PRODUCTS, INC.