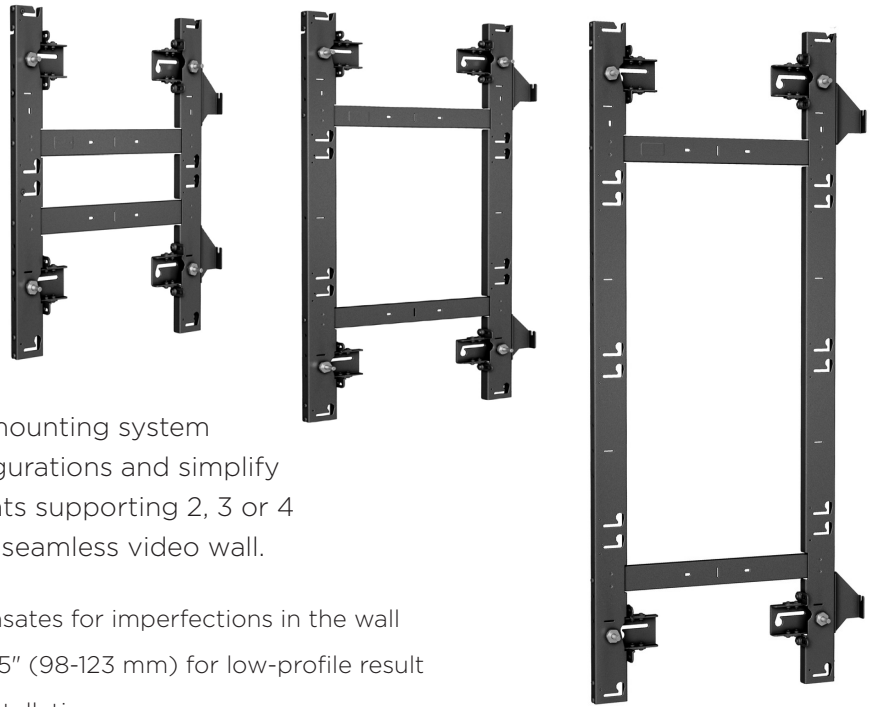


Limitless Effortless Design

FOR UNILUMIN® UPANELS™

Chief's new TILED™ Series is a modular, LED mounting system designed to support creative video wall configurations and simplify specification. The system includes three mounts supporting 2, 3 or 4 LED displays that connect together to form a seamless video wall.



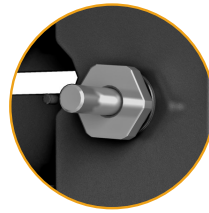
- Integrated plumb adjust of 1" (25 mm) compensates for imperfections in the wall
- Depth range including panel between 3.85-4.85" (98-123 mm) for low-profile result
- Keyhole slots allow for fast and easy mount installation
- Offset display mounting slots protect LED sides from damaging friction
- Modular system supports creative video wall design and simplifies specification
- Standard, off-the-shelf solution set means product is stockable and ready to ship - no custom lead times



KEYHOLE
MOUNTING SLOTS



OFFSET DISPLAY
MOUNTING SLOTS



PLUMB
ADJUSTMENT



MODULAR SYSTEM
DESIGN

ACCESSORIES



TILVABUU
Vertical Connectors Bracket



PAC525, PAC526 & PAC527
In-Wall Storage Boxes

SPECIFICATIONS

Model	Configuration	Height (A)	Width (B)	Depth Range (C)	Depth Range with Display	Plumb Adjustment	Mounting Point Distance (D)	Center Opening (E)
TIL1X2UU	1x2	26.58" (675 mm)	21.25" (540 mm)	0.98 - 1.98" (25 - 50 mm)	3.85 - 4.85" (98 - 123 mm)	1" (25 mm)	18.17" (462 mm)	4" (101 mm)
TIL1X3UU	1x3	40.08" (1018 mm)					31.69" (805 mm)	18" (457 mm)
TIL1X4UU	1x4	53.59" (1361 mm)					45.19" (1148 mm)	32" (813 mm)

