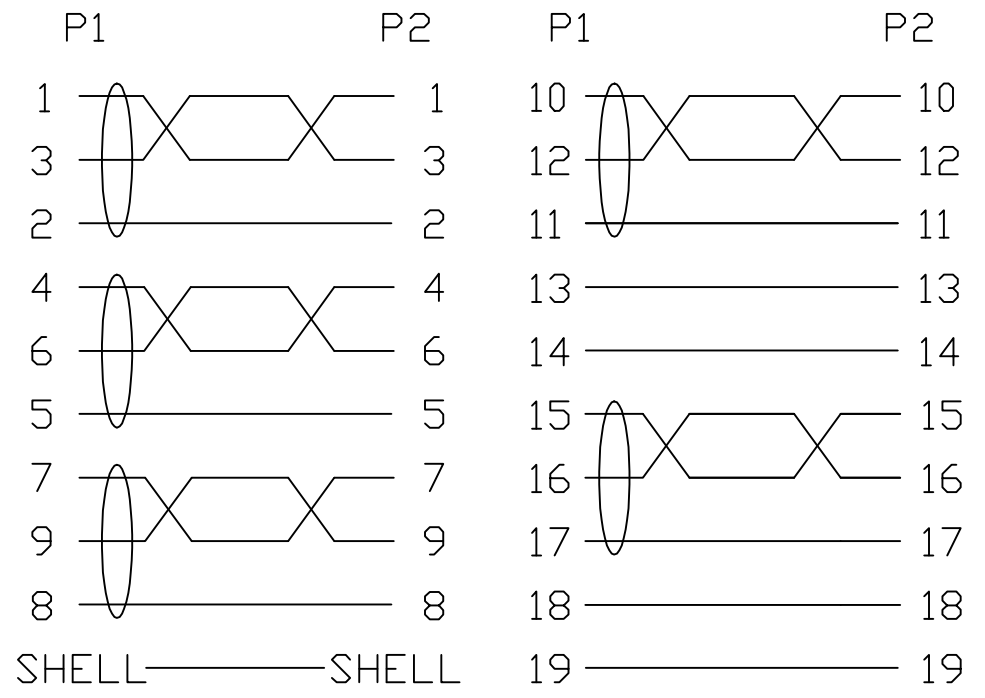


PIN OUT



NOTES:  
 1:100% short,open and miss wire test.  
 2:Insulation resistance:DC300V 10MΩ(Min)  
 Conduction resistance 5Ω(Max)  
 3:HD-TV:1080P

⑤	OUTER MOLDED	WHITE 45P PVC	0.078	KG
④	INNER MOLDED	LDPE	0.024	KG
③	CONNECTOR	DISPLAYPORT MALE WITH PCB BOARD,THE PIN GOLD PLATED,THE SHELL FOR GOLD PLATING	1	PCS
②	CONNECTOR	HDMI A TYPE MALE,THE PIN GOLD PLATED,THE SHELL FOR GOLD PLATING	1	PCS
①	CABLE	(1P*30#+D+AL+MYLAR)*5C+5C*30#+F+ADB JACKET:BLACK PVC,OD:6.0±0.2MM	5000	MM
NO.	MATERIAL	DESCRIPTION	QTY.	UNIT

Ltemref	Quantity	Title/Name,designation,material,dimension etc			Article No./Reference
Designed by	Checked by	Approved by - date	File name	Date	Scale
		OCT 23.2014	HDMI TO DP 5M	OCT 23.2014	FREE
ANGLE:	HDMI/AM-DP/M BLACK,5M				
UNIT:MM	24 0218	Edition	Sheet		
	1	1/1			