

## 27" Open Frame Display

Model: M27080-OF, M27080C-OF



*A truly brilliant, smart, and professional Touch Screen designed for commercial and retail use.*

## 27" Open Frame Display

The Mimo M27080-OF/M27080C-OF is a open- frame multi-touch monitor designed for vertical market applications, such as financial, gaming, industrial, self-service terminal, etc.

M27080-OF/M27080C-OF employs high performance PCAP touch technology, it delivers excellent 10-point touch experience to users and makes the front surface be true flat.

The high grade display module delivers high-resolution and clarity images. Its LED backlit not only prolongs the work life , but also decrease power consumption and module weight.

The M27080-OF/M27080C-OF features a special designed injection-molded front bezel, it makes the touch monitor can be flush mounted with cabinets and improves the dust- and water-resistant seal level significantly.

The M27080-OF/M27080C-OF has CE / FCC / CCC approvals and a compact form factor, it can be easily integrated with multiple mounting options.

### Features:

- Easy to Deploy
- PCAP multi-touch screen
- Flexible Installation
- Internal Intel OPS Pluggable Computer
- Windows XP /7 /8, Android , Linux
- Extended multi-touch gestures

### Applications:

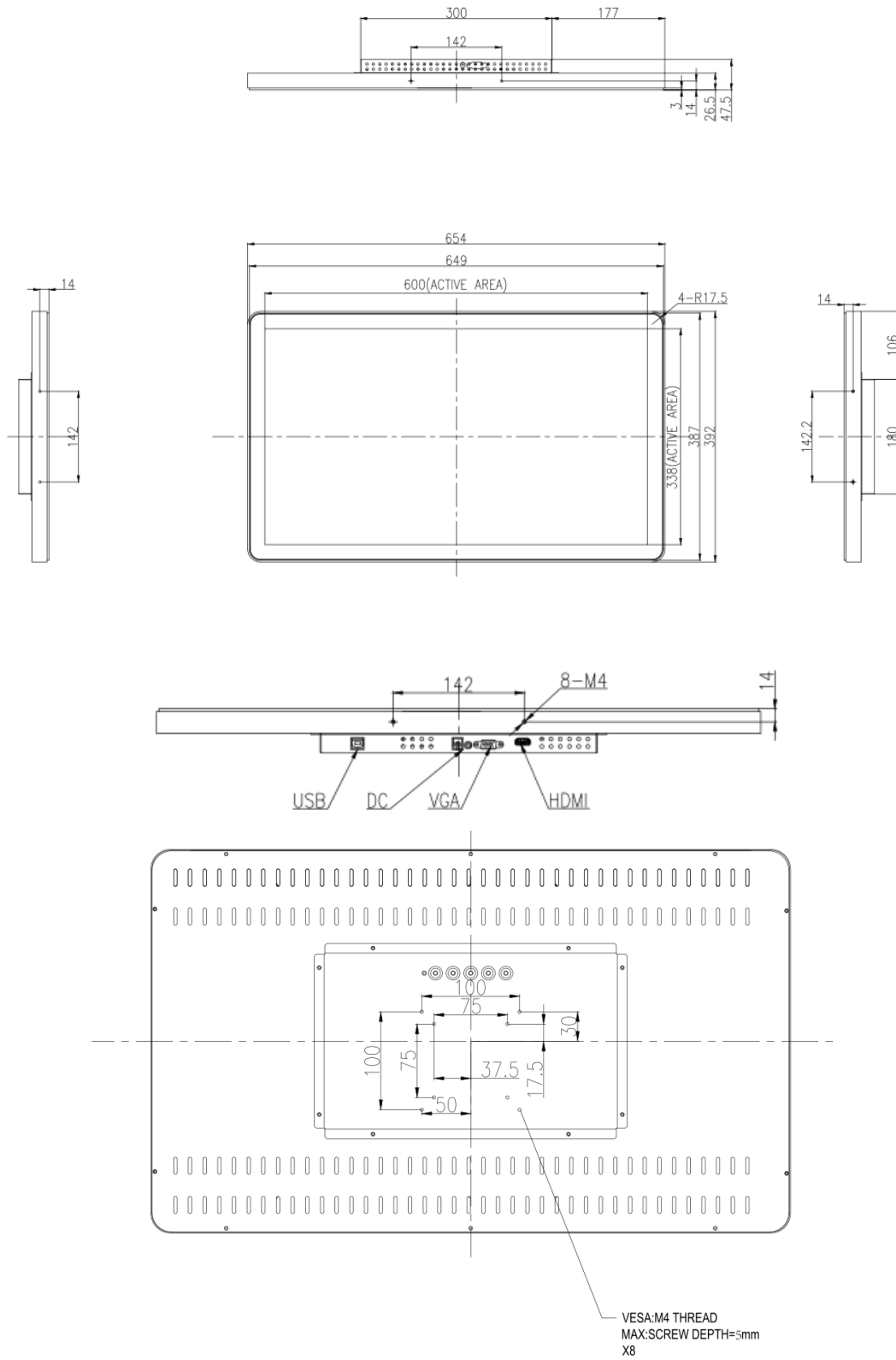
- Amusement
- Entertainment
- KIOSK
- Self service Terminal
- Interactive Digital Signage
- VTM and Way-finding



# Product Specifications

LCD Panel	Backlight	LED
	Brightness	LCD Panel: 300cd/m2
	Aspect Ratio	16:1
	Contrast Ratio	1000:1
	Viewing Angle	Horizontal: 178° (89°/89°) Vertical: 178° (89°/89°)
	Response Time	14 ms
	Supported Color	16.7M Colors
	Resolution	1920 × 1080 @ 60 Hz
	Input Format	RGB Analog Signal/ Digital Signal
	Video Inputs	VGA / DVI / HDMI
Mechanical	Dimensions	654.00mm × 392.00mm × 47.5mm
Electrical	Power Supply	Input: DC 12V±5%
	Normal Operation	≤ 30W (typ.)
	Power Off	≤ 2 W (typ.)
Environmental	Operation	0 °C ~ 40 °C, 90% RH
	Storage	-20 °C ~ 60 °C, 90% RH
Touch	Glass	Tempered Glass 3mm
	Touch points	10
	Touch technology	Projected Capacitive (PCAP)
	Touch Method	Finger / Capacitive Pen
	Touch Lifespan	≥50,000,000
	Response time	15ms
	Connection	USB 2.0
	Multi-touch	Windows7/8, Android
	Single-point OS	Windows XP, Linux

# Technical Drawings



**Mimo Monitors**  
 743 Alexander Rd. Suite 15  
 Princeton, NJ 08540

info@mimomonitors.com  
 Sales: **1-855-YES-MIMO (937-6466)**

2018-1214  
 Rev 1 - 78347