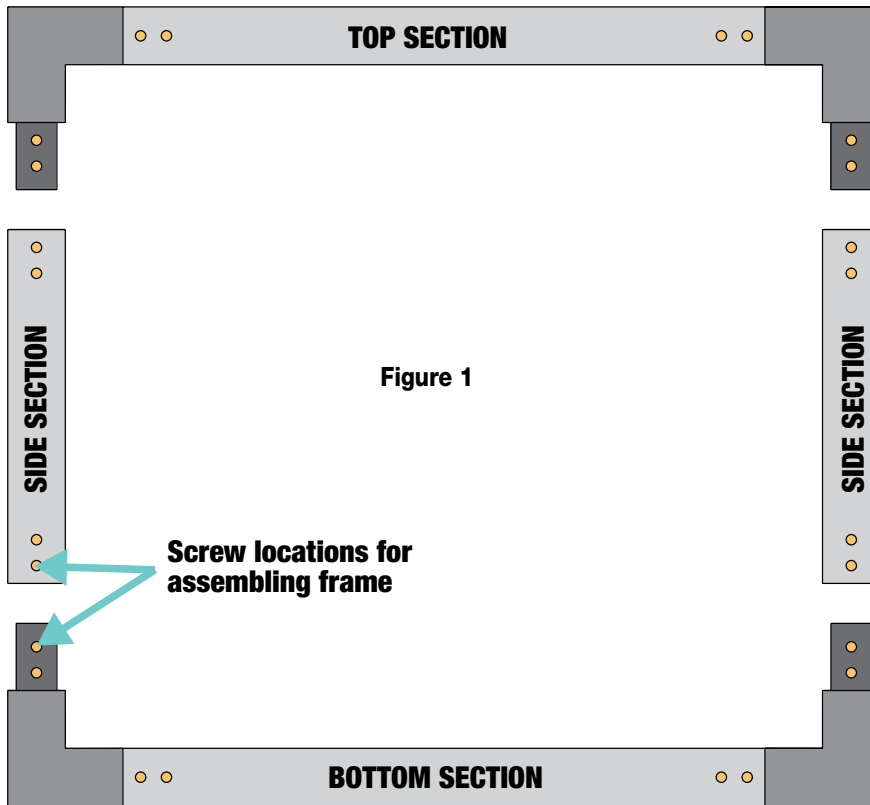


Edgeless Clarion

Permanently tensioned projection screen with no visible frame

INSTRUCTIONS INSTALLATION & OPERATION



Overview - Prepare for Installation

1. Remove all pieces from the carton.
2. Lay out the sections of the frame by matching up the numbers located on the back of the frame sections. Snaps should be facing up.
3. Slide the ends of the castings from the top section into the side frame sections. Fasten these together using the 1/4"-20 machine screws provided.
4. Repeat this for bottom section of frame (Fig. 1).

TOOLS REQUIRED

PENCIL

SCREWDRIVER

TAPE MEASURE

LEVEL

POWER DRILL

HARDWARE (by others)

WHITE GLOVES

PERSONNEL REQUIRED

⚠ CAUTION ⚠
Read and understand all warnings (p. 2) before beginning installation.

Contents

Overview - Prepare for Installation.....1	Section 1 - Installing Wall Brackets3
PLEASE READ - Installation Information.....2	Section 2 - Assembling Screen.....3
PLEASE READ - Safety Information.....2	Section 3 - Mounting Frame on Wall Brackets.....4

If you have any difficulties installing or servicing your Clarion screen, call your dealer or Draper, Inc.

PLEASE READ - Installation Information

⚠ CAUTION: Installer must provide adequate attachment hardware and anchors as required. Installer must also ensure that structure is of adequate strength.

1. Read instructions through completely before proceeding.
2. Follow instructions carefully. Installation contrary to instructions invalidates warranty.
3. Screen should be accessible for complete removal should surface become damaged or should other service be required.
4. Screen should be installed level (*using a carpenter's level*).
5. Nothing should be fastened to screen frame or viewing surface.
6. Ensure all parts are present.
7. Regardless of mounting method, screen should be positively and securely supported so that vibration or even abusive pulling on viewing surface will not cause case to loosen or fall. Installer must ensure that fasteners used are of adequate strength and suitable for mounting surface chosen.
8. Draper recommends using two people for assembly and installation. When lifting assembled screen, do not lift at only one corner; lift at both corners. Lifting by one corner could result in damage to the screen frame, especially on large screens.
9. The ideal temperature range for assembling permanently tensioned screens to prevent damaging the surface is 68° - 78° F (20° - 26° C). Assembling below recommended temperatures may damage surface and void warranty.
10. Use extreme care when handling TecVision surfaces. To prevent damaging the TecVision viewing surface, Draper strongly recommends using the provided white gloves.

Please Note: Custom products/installations may not be reflected by this document. Call Draper, Inc. with any questions about product installation.

PLEASE READ - Safety Information

Important Safety Information



WARNING



Important Safety Information

Improper installation and use of the PRODUCT NAME can result in serious injury or death. Primarily, injuries can occur if the unit falls due to imprecise installation, mishandling of the shade during installation or installation on an insufficient wall or ceiling structure. Please use extreme care.

1. Please read the following installation guidelines thoroughly and follow them carefully. Failure to do so may cause product to fall or otherwise fail, and could result in serious injury.
2. Installation and calibration of the unit should only be performed by an authorized, qualified, and experienced professional.
3. Do not affix the unit to wall or ceilings that have inadequate strength to permanently hold the unit during use. It is the owner's and installer's responsibility to confirm the wall or ceiling to which the unit attaches is sufficient to permanently hold the weight and stress loads of the unit at all times. Draper, Inc., is not responsible for improper installation, application, testing or workmanship related to the product at place of installation.
4. It is the installer's responsibility to make sure appropriate fasteners are used for mounting.
5. All brackets and other hardware must be installed level. Unit must be level and square.
6. Never leave the area while operating the system during installation, maintenance, or normal operation, unless it is secure and safe.
7. Before testing or operation, carefully inspect the entire area of the system and areas underneath the shade to be sure no persons or objects are in the area.
8. During testing or operation, carefully watch the surrounding area for any potential safety concerns including nearby persons or objects.
9. After installation, the entire system should be carefully tested to ensure safe and normal operation. Extreme care should be taken during testing to remain clear of moving parts to avoid possible injury.
10. Operation of system should be performed only by authorized and qualified personnel, who have been trained in the safe and effective operation of the system and understand its safety features.
11. The safety features of the system should never be disabled, bypassed, or overridden. The system should not be operated until all safety features are properly and completely installed, calibrated, and tested.
12. System may need to comply with local, state, or district rules and regulations, in particular when installed in schools. All applicable rules and regulations should be reviewed before installation and use.
13. Failure to precisely follow installation guidelines invalidates all warranties.
14. Custom products/installations may not be reflected in this manual. Call Draper, Inc., if you have questions regarding your installation.

Before Beginning Installation

1. Look for any job site conditions that could interfere with installation or operation of the system.
2. Read carefully and be sure to understand all installation instructions and all related operations manuals. These instructions are intended to serve as a guide for the installer and owner. They should be followed closely and combined with the expertise of experienced qualified installers. Draper, Inc., is not responsible for improper installation, application, testing, or workmanship related to the product at place of installation. Please retain all instructions for future use.
3. Open cartons lengthwise.
4. Locate and lay out all pieces.
5. Inspect all boxes to make sure you have received the proper parts. Controls may be shipped separately, or in same carton.
6. If you have any difficulties with installing, servicing, or operating your system, call your dealer or Draper, Inc., 765-987-7999.

Section 1 - Installing Wall Brackets

1. Position the upper wall brackets (*with short stud*) on the wall at desired height and correct distance apart. Determine distance apart by measuring the distance between the grommets holes in top section of the frame.
2. When the frame is positioned on these brackets, the top of the frame is 2" (51mm) above the top edge of the upper brackets (Fig. 2). Make sure these brackets are level with each other. Installer must insure that the fasteners are of adequate strength and suitable for the mounting surface chosen (*fasteners not provided*).
3. Position the frame on the upper brackets by inserting the studs into the grommets holes.
4. Position the lower wall brackets (*with long stud*) so that the stud is inserted into the grommets holes in the bottom frame section. Fasten these brackets to the wall leaving 2 1/2" (64mm) between the bottom of this bracket and the furthest edge of bottom frame section (see Fig. 3).

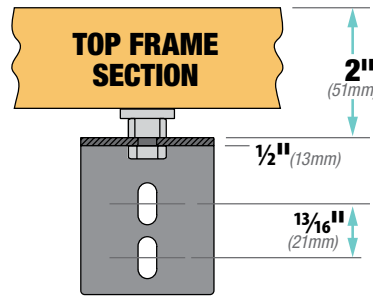


Figure 2

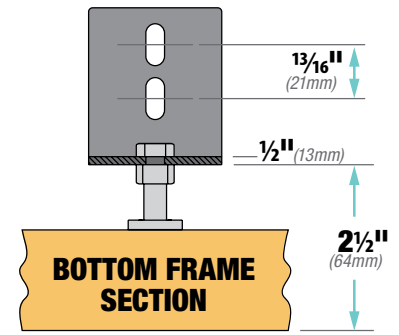


Figure 3

5. Remove frame from wall by pushing upward until the bottom frame section hits the lower wall brackets. The top frame section should clear the studs of the upper brackets; pivot the top of the frame away from the wall until frame drops down in front of these brackets. The bottom of the frame will then be disengaged from the lower wall brackets. Set frame aside.

Section 2 - Assembling Screen

1. Installers should wash hands before touching the viewing surface. Use extreme care when handling TecVision surfaces. To prevent damaging the TecVision viewing surface, Draper strongly recommends using the provided white gloves.
2. Remove the viewing surface from the cardboard tube. Unroll the surface from the small cardboard tube.

Please Note: Be extremely careful to protect the viewing surface by making sure it is unrolled onto a clean cloth or paper.

3. Place the frame with snaps facing up onto the viewing surface, centering it as much as possible. Be sure to match the top of the frame with the top of the viewing surface.
4. Starting away from the corners, wrap surface around the frame and snap onto the back of the frame working toward the corners (Fig. 4). Viewing surface should completely cover the front of the frame.

Please Note: The side of the castings at each corner may be slightly visible due to viewing surface elasticity. It may be necessary to unsnap a portion of the surface to get the proper coverage at the corners.

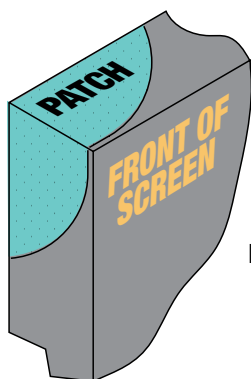


Figure 5

5. Pull the surface in the desired direction and snap it on the frame.
6. After the surface has been adjusted (*if necessary*) and completely snapped onto the frame, peel the liner from the corner patch and place it on the screen fabric at each corner to conceal any gap (Fig. 5). These patches may not be necessary if outside edges of screen are not visible after installation.

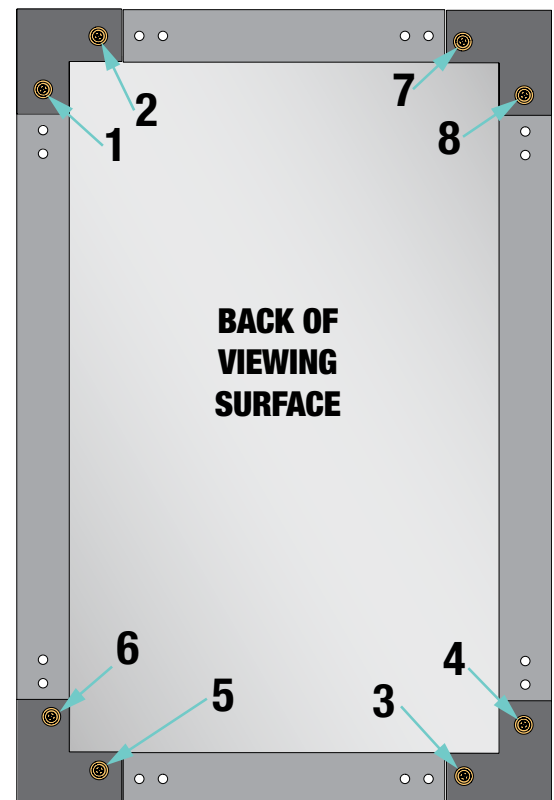


Figure 4

Section 3 - Mounting Frame on Wall Brackets

1. With the screen tilted out slightly at the top, engage the bottom frame section with the studs on the lower wall brackets.
2. Push the frame up until the top section of the frame is above the upper wall brackets, then tilt the frame toward the wall.
3. Push the frame down until the studs completely engage with the holes in the top frame section.
4. When properly installed, the frame should be engaged with all of the wall brackets (Fig.6).

Figure 6

