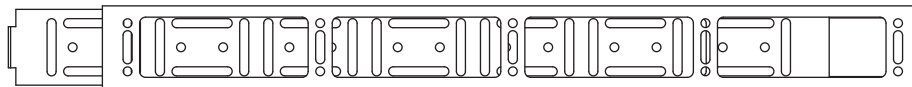
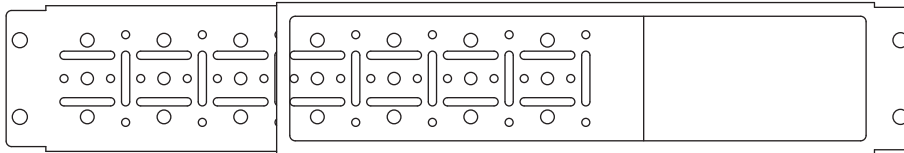
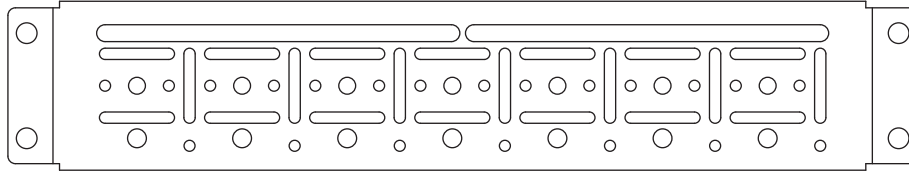


INSTRUCTION SHEET
LBH / LBFR SERIES
TELESCOPING LACER BAR

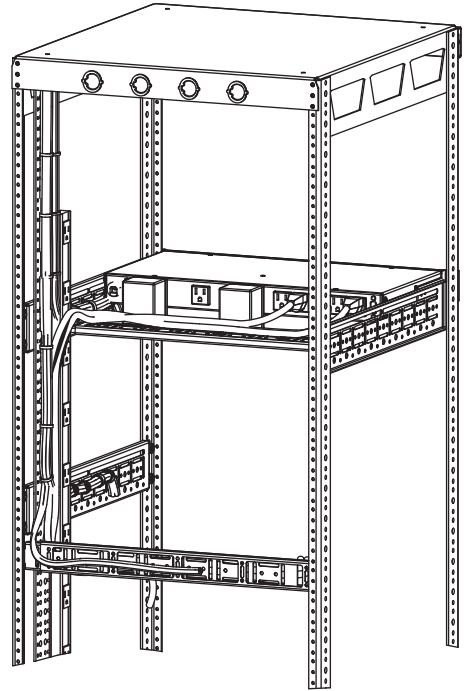


THANK YOU

Thank you for purchasing the LBH / LBFR Series Telescoping Lacer bar.
Please read these instructions thoroughly before installing this product.

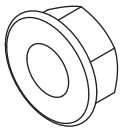
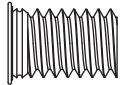
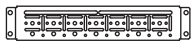
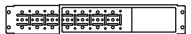
TABLE OF CONTENTS

Hardware	Pg. 2
Installing LBFR-5A-XX	Pg. 3
Installing LBFR-XXXX-T	Pg. 3
Installing LBH-1930-T	Pg. 4
Applications	Pg. 5-7
Warranty	Pg. 7

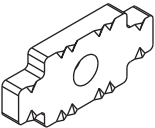

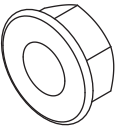
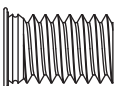



HARDWARE

LBFR-5A-XX / LBFR-XXXX-T Includes:

<u>Qty</u>		<u>Description</u>
8		5/16-18 flange nut
8		5/16-18 PEM stud
2		LBFR-5A-xx
		or
2		LBFR-xxxx-T

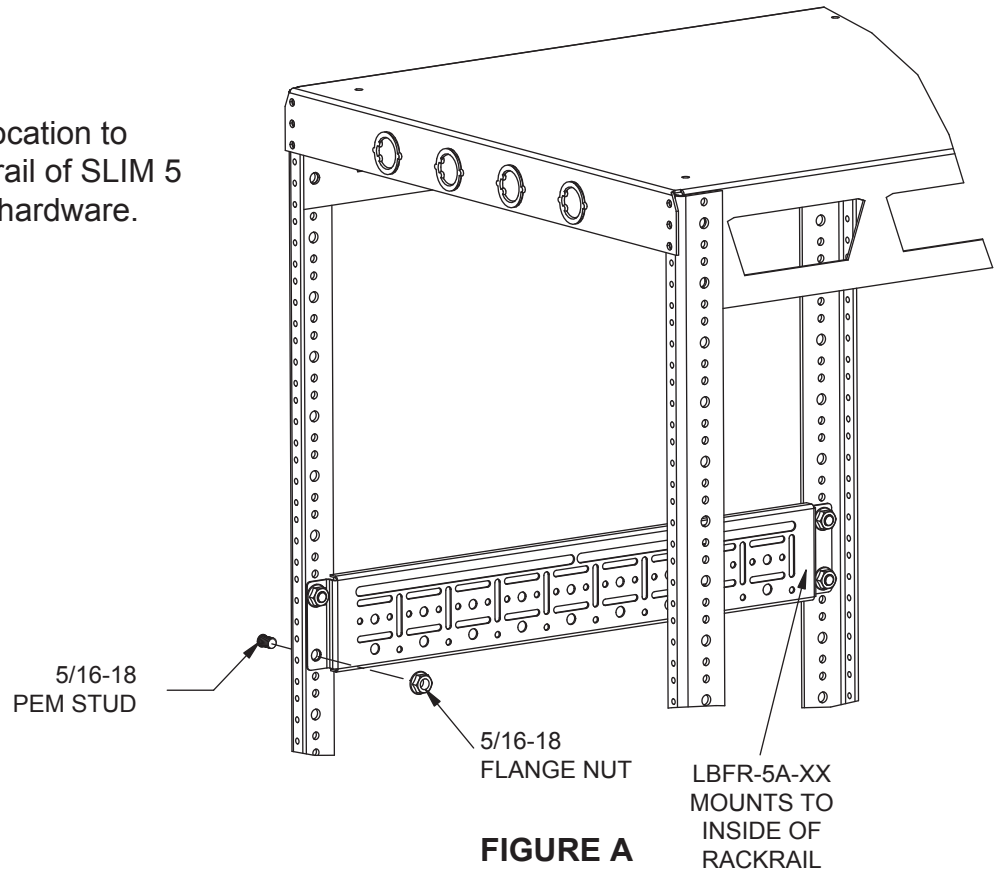
LBH-1930-T Includes:

<u>Qty</u>		<u>Description</u>
4		1/4-20 sliding nut
4		1/4-20 bolt
4		5/16-18 flange nut
4		5/16-18 PEM stud
2		LBH-1930-T

INSTALLING LBFR-5A-XX

(SLIM 5 or AXS racks only)

- 1) Mount lacer bar in desired location to inside of front and rear rackrail of SLIM 5 or AXS rack using included hardware. **(FIGURE A)**

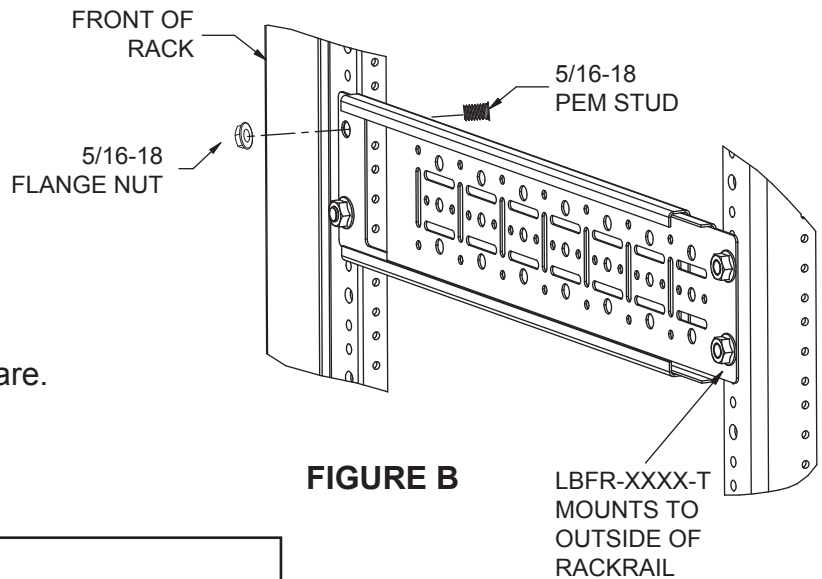


INSTALLING LBFR-XXXX-T

HINT:

For stand-alone racks, it may be easier to point studs into the rack during installation.

- 1) Mount telescoping lacer bar in desired location to outside of front and rear adjustable rackrail using included hardware. **(FIGURE B)**



HINT:

- A) Telescoping lacer bars mount to the outside of rackrail so there is no interference if center rackrail is required.
- B) Telescoping lacer bars can also be mounted to center rail and front or rear rackrail.

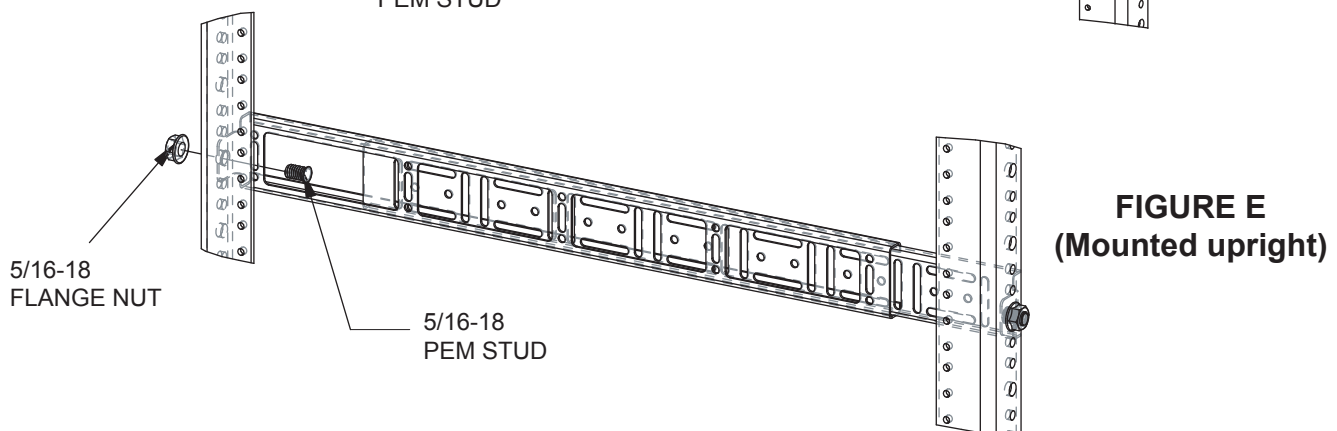
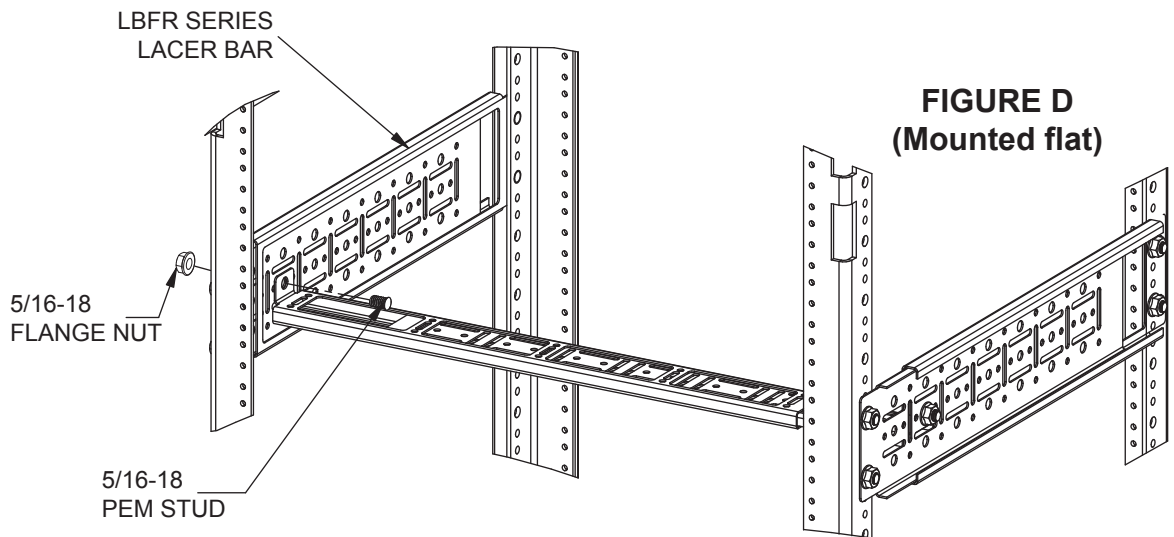
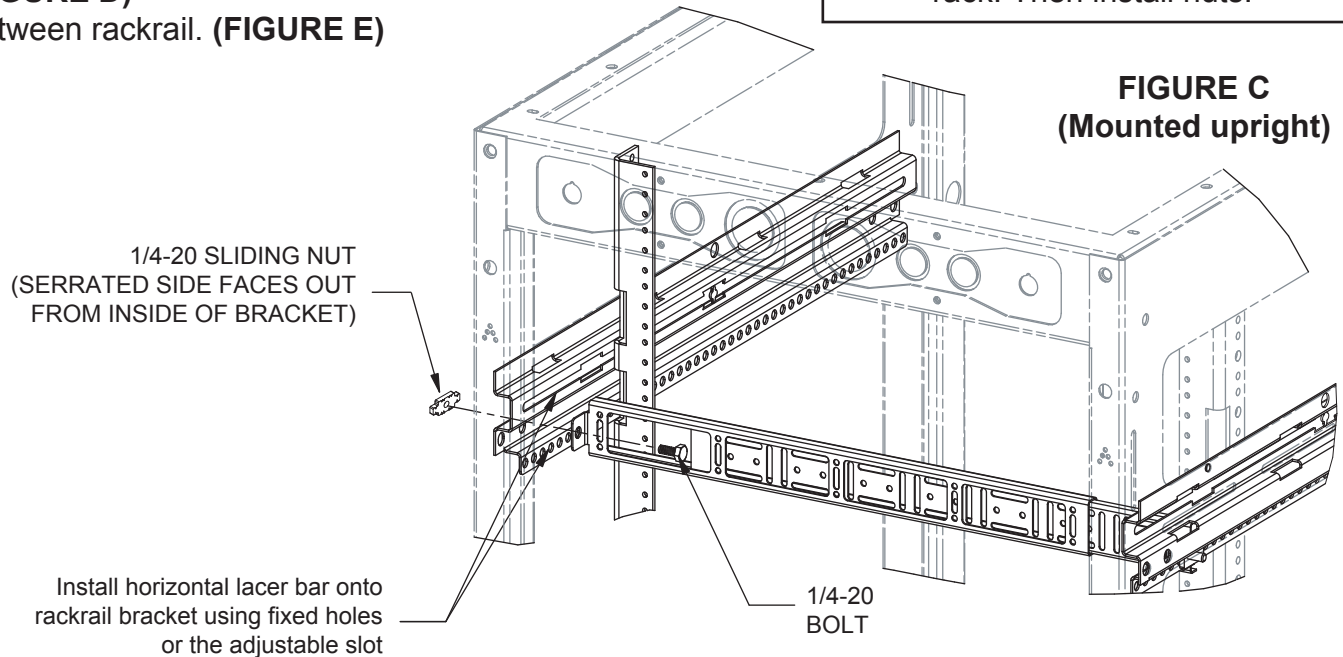
INSTALLING LBH-1930-T

1) Horizontal lacer bars can be mounted flat or upright with included hardware in the following configurations:

- Between rackrail brackets. **(FIGURE C)**
- Between LBFR Series front to rear lacer bars. **(FIGURE D)**
- Between rackrail. **(FIGURE E)**

HINT:

When installing LBH-1930-T onto rackrail in a SLIM 5 or AXS Series rack, insert the PEM studs through the rackrail so that they point toward the inside of the rack. Then install nuts.



APPLICATIONS

(For enhanced vertical and horizontal cable management capabilities)

LBFR-5A-XX allows for mounting of **vertical lacer strips** in racks that do not have rail brackets such as SLIM 5, AXS & AX-SXR Series. **(FIGURE F)**

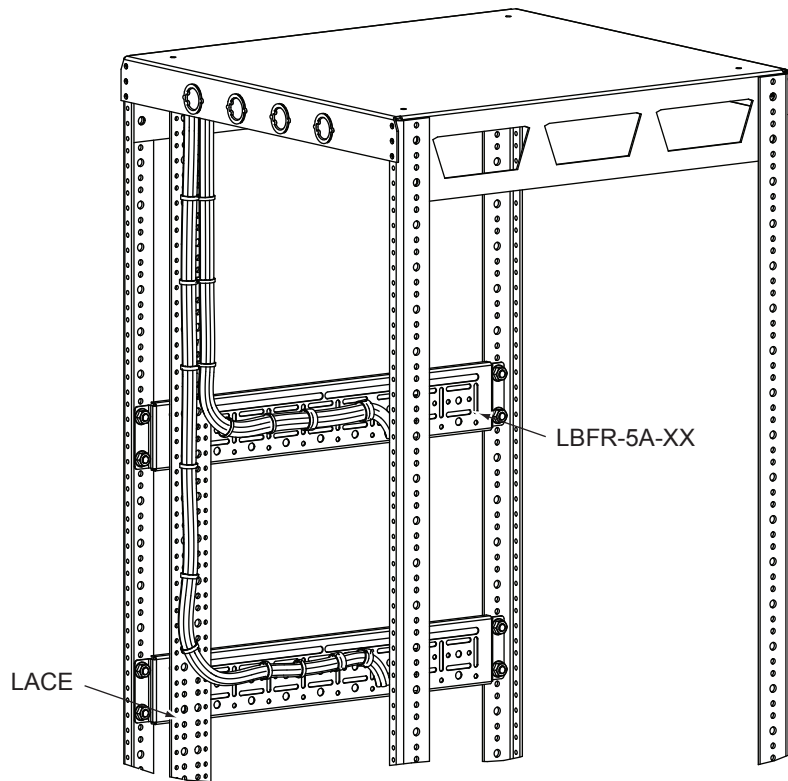


FIGURE F

LBFR-5A-XX allows for mounting of **vertical power strips** within racks that do not have rail brackets such as SLIM 5, AXS & AX-SXR Series. **(FIGURE G)**

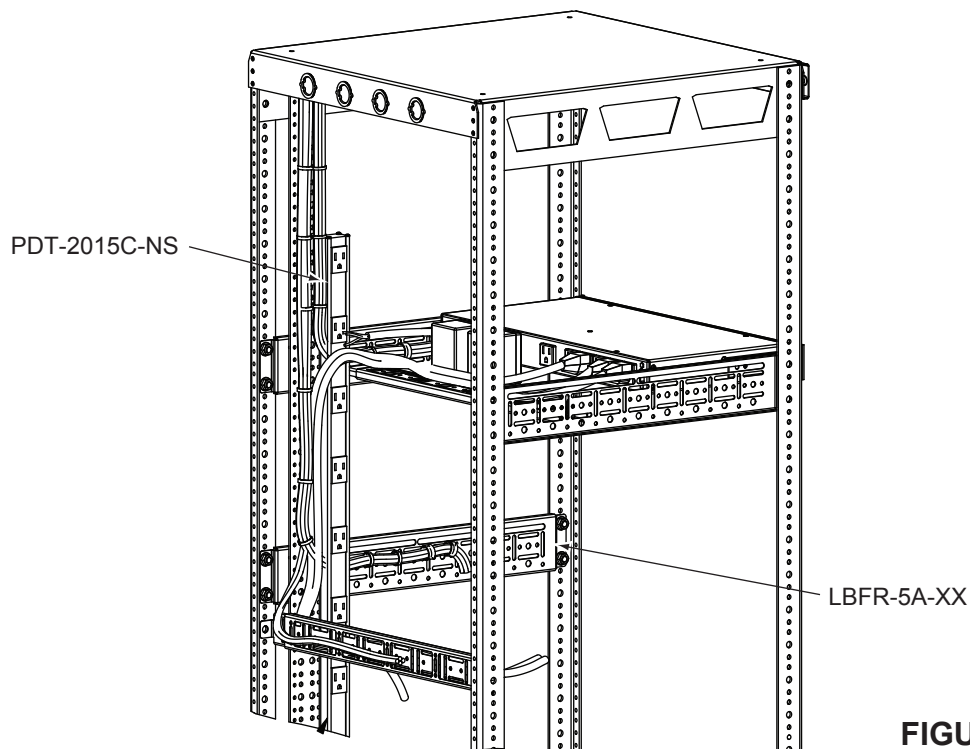


FIGURE G

LBFR-5A & LBFR-XXXX-T allow for horizontal **cable management** from front to rear of the rack or enclosure and vertically between lacer bars. **(FIGURE H)**

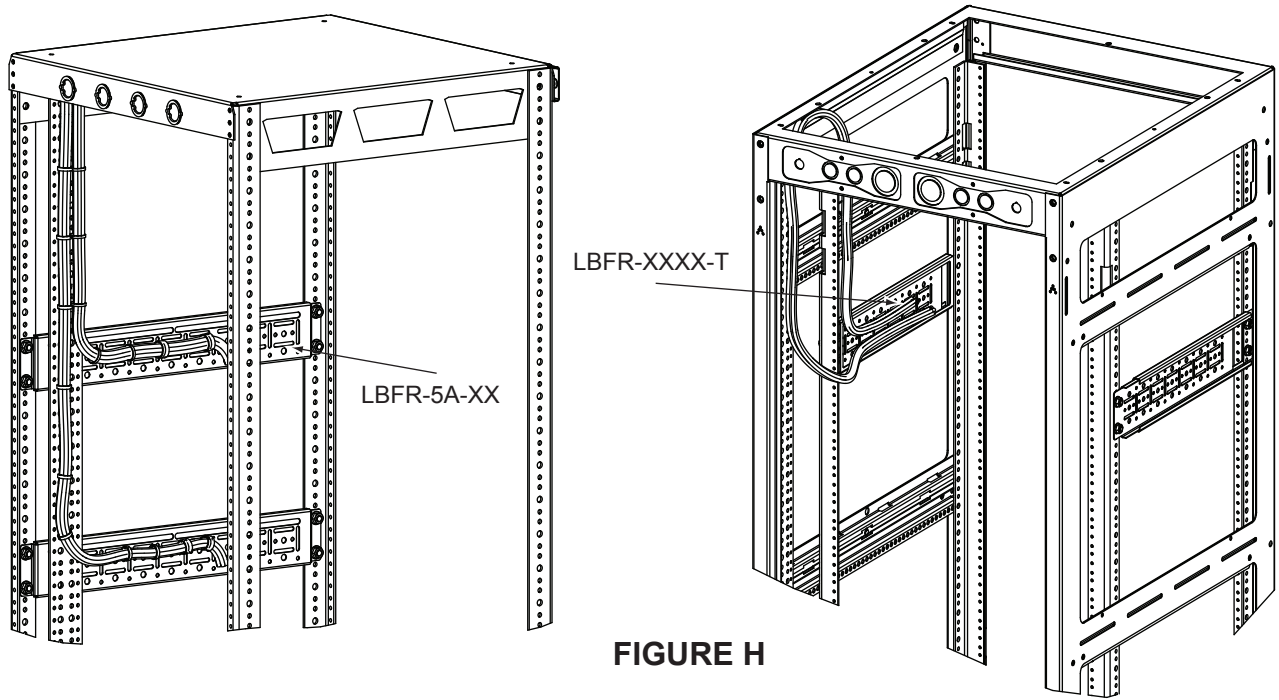


FIGURE H

LBH-1930-T allows horizontal or vertical **cable management** by mounting to rackrail, rail brackets and / or the LBFR-5A or LBFR-xxxx-T. **(FIGURE J)**

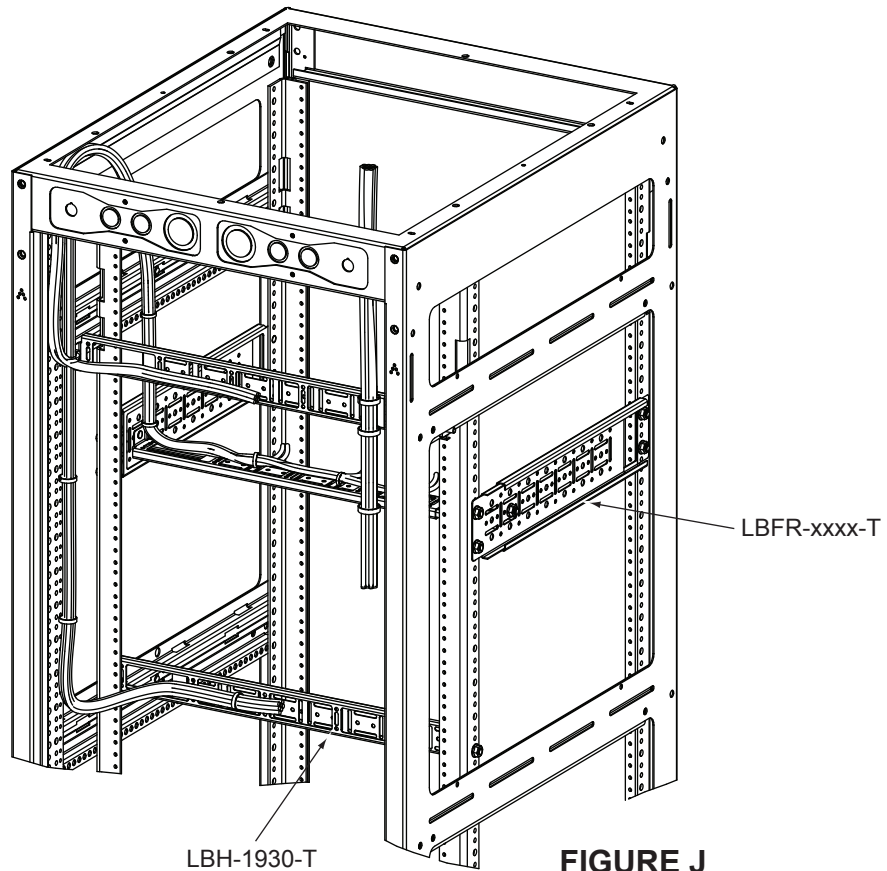


FIGURE J

LBH-1930-T can be used as cable strain relief behind units when placed flat. (FIGURE K)

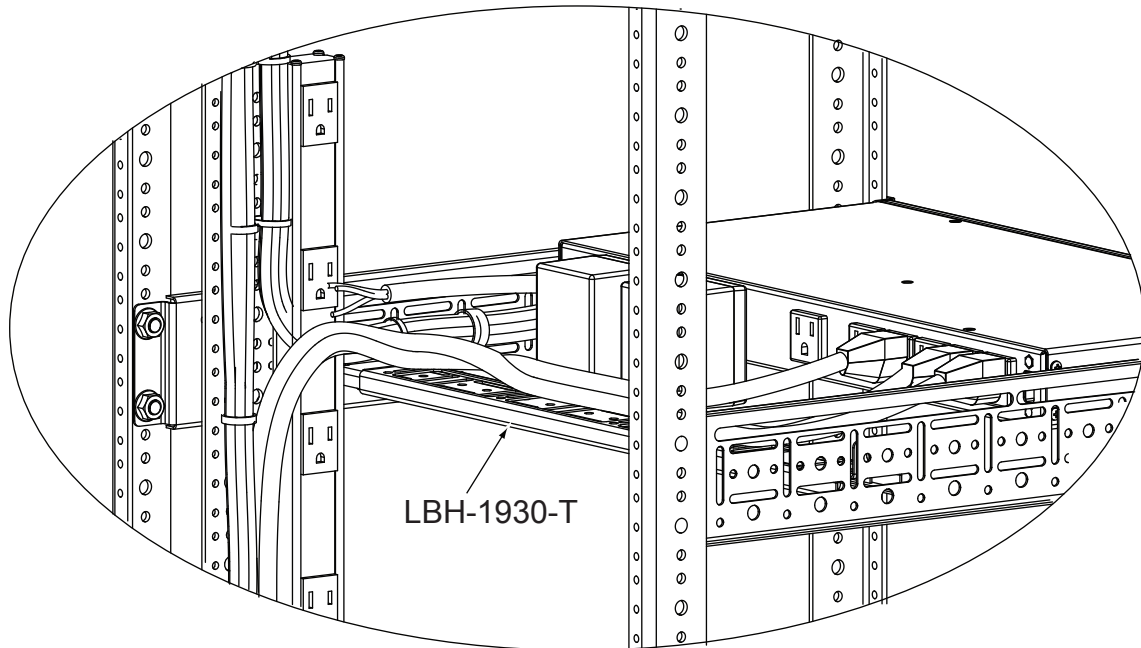


FIGURE K

WARRANTY

Middle Atlantic Products (the "Company") warrants the Telescoping Laver Bars to be free from defects in material or workmanship under normal use and conditions for the lifetime of the product.

The Company's entire liability to the purchaser, and the purchaser's (or any other party's) sole and exclusive remedy, under this warranty shall be limited, at the Company's option, to either (a) return of and refund of the price paid for, or (b) repair or replacement at the Company's factory of the products purchased, or any part or parts thereof, which the Company has determined to be defective after inspection thereof at the Company's factory.

This warranty does not cover damage due to acts of God, accident, misuse, abuse or negligence by parties other than the Company, or any modification or alteration of the products. In addition, this warranty does not cover damage due to improper handling, assembly, installation or maintenance.

THIS WARRANTY IS IN LIEU OF ALL OTHER WARRANTIES OF ANY KIND, EITHER EXPRESSED OR IMPLIED, INCLUDING, BUT NOT LIMITED TO, IMPLIED WARRANTIES OF MERCHANTABILITY AND FITNESS FOR A PARTICULAR PURPOSE.

TO THE MAXIMUM EXTENT PERMITTED BY APPLICABLE LAW, IN NO EVENT SHALL THE COMPANY BE LIABLE FOR ANY SPECIAL, INCIDENTAL, INDIRECT, OR CONSEQUENTIAL DAMAGES WHATSOEVER (INCLUDING, WITHOUT LIMITATION, DAMAGES FOR LOSS OF BUSINESS PROFITS, BUSINESS INTERRUPTION OR ANY OTHER PECUNIARY LOSS) ARISING OUT OF THE USE OF THE PRODUCTS PURCHASED, EVEN IF THE COMPANY HAS BEEN ADVISED OF THE POSSIBILITY OF SUCH DAMAGES. THE COMPANY'S LIABILITY TO THE PURCHASER (OR ANY OTHER PARTY) HEREUNDER, IF ANY, SHALL IN NO EVENT EXCEED THE PURCHASE PRICE OF THE PRODUCTS PAID TO THE COMPANY.

Corporate Headquarters

Corporate Voice 973-839-1011 - Fax 973-839-1976
International Voice +1 973-839-8821 - Fax +1 973-839-4982
middleatlantic.com - info@middleatlantic.com

Middle Atlantic Canada

Voice 613-836-2501 - Fax 613-836-2690
middleatlantic.ca - customerservicecanada@middleatlantic.ca

Factory Distribution

USA: NJ - CA - IL Canada: ON - BC

At Middle Atlantic Products we are always listening. Your comments are welcome. Middle Atlantic Products is an ISO 9001 and ISO 14001 Registered Company.

