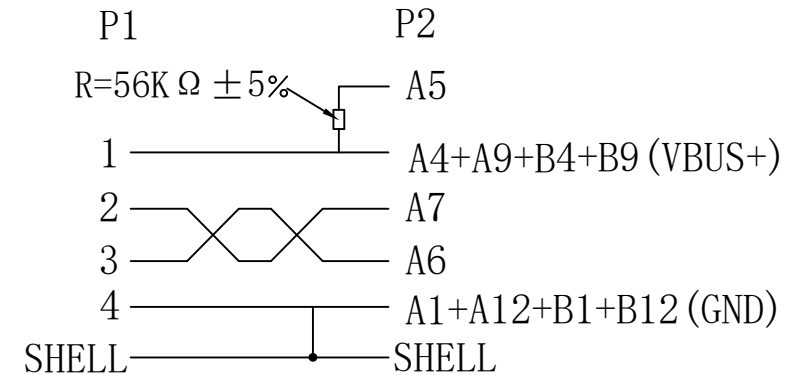


P/N	L/mm	T/mm
26-2950	2000	30

NOTES:

1. OPEN/SHORT/INTERMITTENCE:100%.
2. INSULATION RESISTANCE:DC 300V 0.01S 10MΩMin
3. CONDUCTIVE RESISTANCE:5ΩMax
4. ROHS & REACH COMPLIANT

PIN OUT



⑤	MOLDED	45P BLACK PVC		G
④	MOLDED	LDPE		G
③	CONNECTOR	TYPE C MALE, GOLD PLATED PIN, BLACK INSULATION, NICKEL PLATED SHELL	1	PCS
②	CONNECTOR	USB2.0 A MALE, GOLD PLATED PIN, WHITE INSULATION, NICKEL PLATED SHELL	1	PCS
①	CABLE	7/0.10TC*1P+7/0.20TC*2C+AL+D(7/0.12BC)+B(64/0.12AL-MG), BLACK PVC JACKET, OD:4.0±0.2mm MARKING: E228840 兄 AWM 2725 80°C 30V VW-1 C 兄 AWM I/IIA 80°C 30V FT1 BENDA USB Revision 2.0	2000	MM
NO.	MATERIAL	DESCRIPTION	QTY.	UNIT

Ltemref	Quantity	Title/Name, designation, material, dimension etc			Article NO./Reference	
Designed by FLY	Checked by HELEN	Approved by - date	File name	Date	Scale	FREE
ANGLE:				USB2.0 AM-TYPE C		
UNIT:MM				26-2950	Edition 1	Sheet 1/1