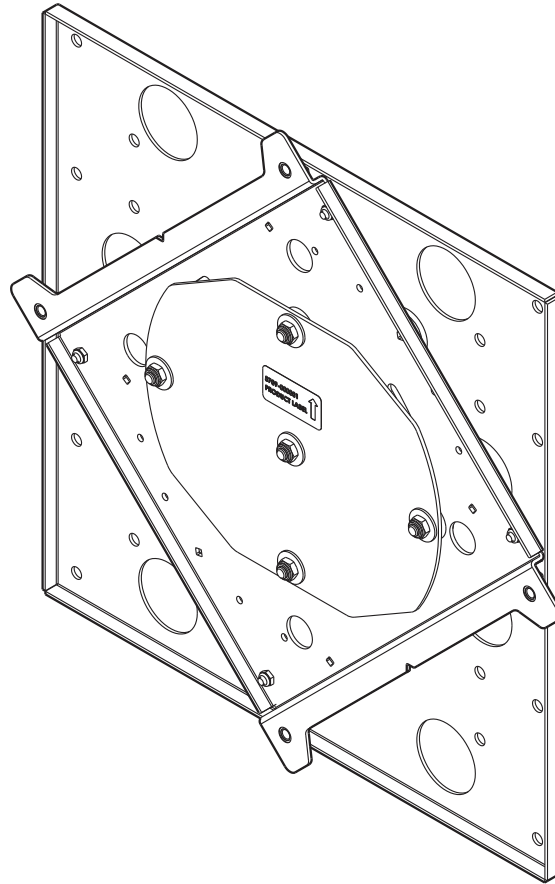


---

# INSTALLATION INSTRUCTIONS

---



---

## Fusion Rotation Adapter Accessory

---

**DISCLAIMER**

Legrand | AV and its affiliated corporations and subsidiaries (collectively "Legrand | AV"), intend to make this manual accurate and complete. However, Legrand | AV makes no claim that the information contained herein covers all details, conditions or variations, nor does it provide for every possible contingency in connection with the installation or use of this product. The information contained in this document is subject to change without notice or obligation of any kind. Legrand | AV makes no representation of warranty, expressed or implied, regarding the information contained herein. Legrand | AV assumes no responsibility for accuracy, completeness or sufficiency of the information contained in this document.


Chief® is a registered trademark of Legrand AV Inc.


**DEFINITIONS**

**MOUNTING SYSTEM:** A MOUNTING SYSTEM is the primary Chief product to which an accessory and/or component is attached.


**ACCESSORY:** AN ACCESSORY is the secondary Chief product which is attached to a primary Chief product, and may have a component attached or setting on it.


**COMPONENT:** A COMPONENT is an audiovisual item designed to be attached or resting on an accessory or mounting system such as a video camera, CPU, screen, display, projector, etc.


 **WARNING:** A WARNING alerts you to the possibility of serious injury or death if you do not follow the instructions.

 **CAUTION:** A CAUTION alerts you to the possibility of damage or destruction of equipment if you do not follow the corresponding instructions.

 **IMPORTANT SAFETY INSTRUCTIONS**


 **WARNING:** Failure to read, thoroughly understand, and follow all instructions can result in serious personal injury, damage to equipment, or voiding of factory warranty! It is the installer's responsibility to make sure all accessories are properly assembled and installed using the instructions provided.


 **WARNING:** Failure to provide adequate structural strength for this accessory can result in serious personal injury or damage to equipment! It is the installer's responsibility to make sure the mounting system to which this accessory is attached can support the combined weight of all equipment. The wall to which the mounting system and accessory is being attached may have a maximum drywall thickness of 5/8" (1.6cm).


 **WARNING:** Exceeding the weight capacity can result in serious personal injury or damage to equipment! Adding the FRA accessory may change the weight capacity listed for the mounting system. Consult (Table 1) for mounting system's weight capacity details when attached to the FRA accessory.

**Table 1: Weight Capacity When Attached to FRA**

Mounting System	Mounting System Weight Capacity with FRA Attached
STMS1U	55 lbs (24.9 kg)
MTMS1U	55 lbs (24.9 kg)
MSM1U	105 lbs (47.6 kg)
LVS1UP	125 lbs (56.7 kg)
LVS1U	125 lbs (56.7 kg)
MCM1U with FCASFP	105 lbs (47.6 kg)
MFAUB	105 lbs (47.6 kg)
MPAUB	105 lbs (47.6 kg)
MFAUB with FCASFP	55 lbs (24.9 kg)
MPAUB with FCASFP	105 lbs (47.6 kg)
LSCU	160 lbs (72.6 kg)

 **WARNING:** Use this accessory only for its intended use as described in these instructions. Do not use attachments not recommended by the manufacturer.

 **WARNING:** Never operate this accessory if it is damaged. Return the accessory to a service center for examination and repair.

 **WARNING:** Do not use this accessory outdoors.

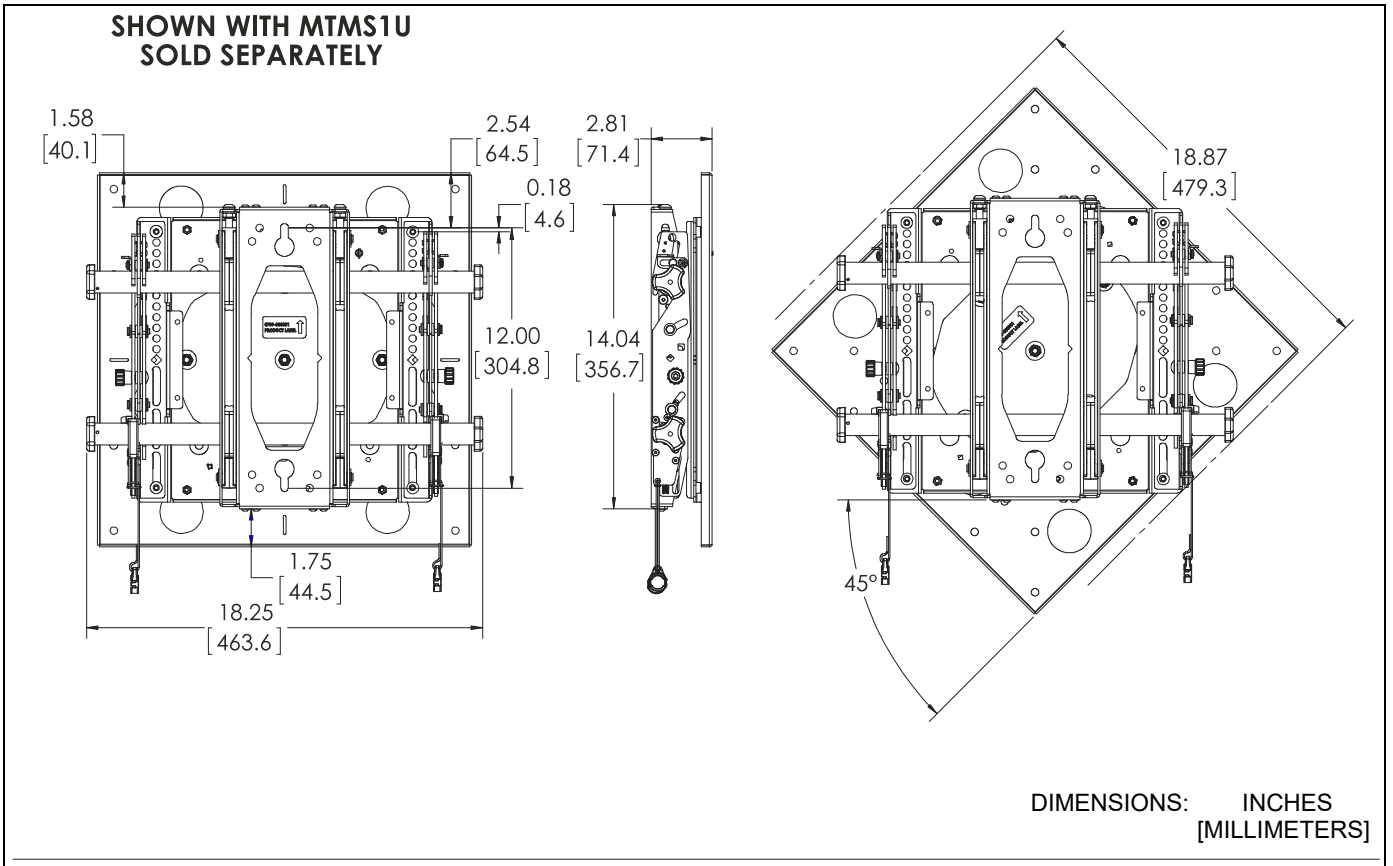
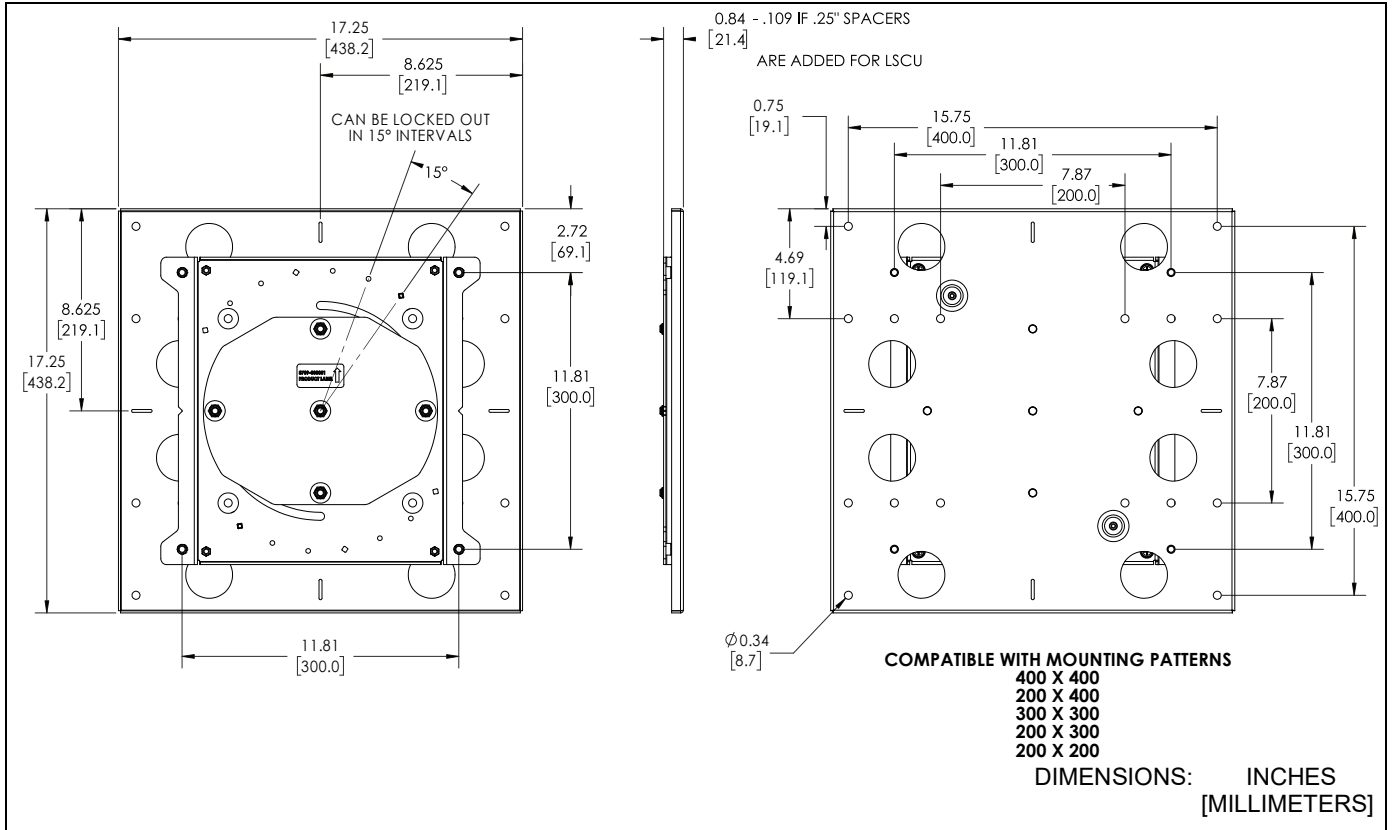
**IMPORTANT ! :** The FRA accessory is only compatible with screens having a VESA pattern, with a maximum of 400mm x 400mm.

**IMPORTANT ! :** The FRA accessory is designed to be mounted to the following Chief mounting systems (mounts compatible with a 300mm pattern):

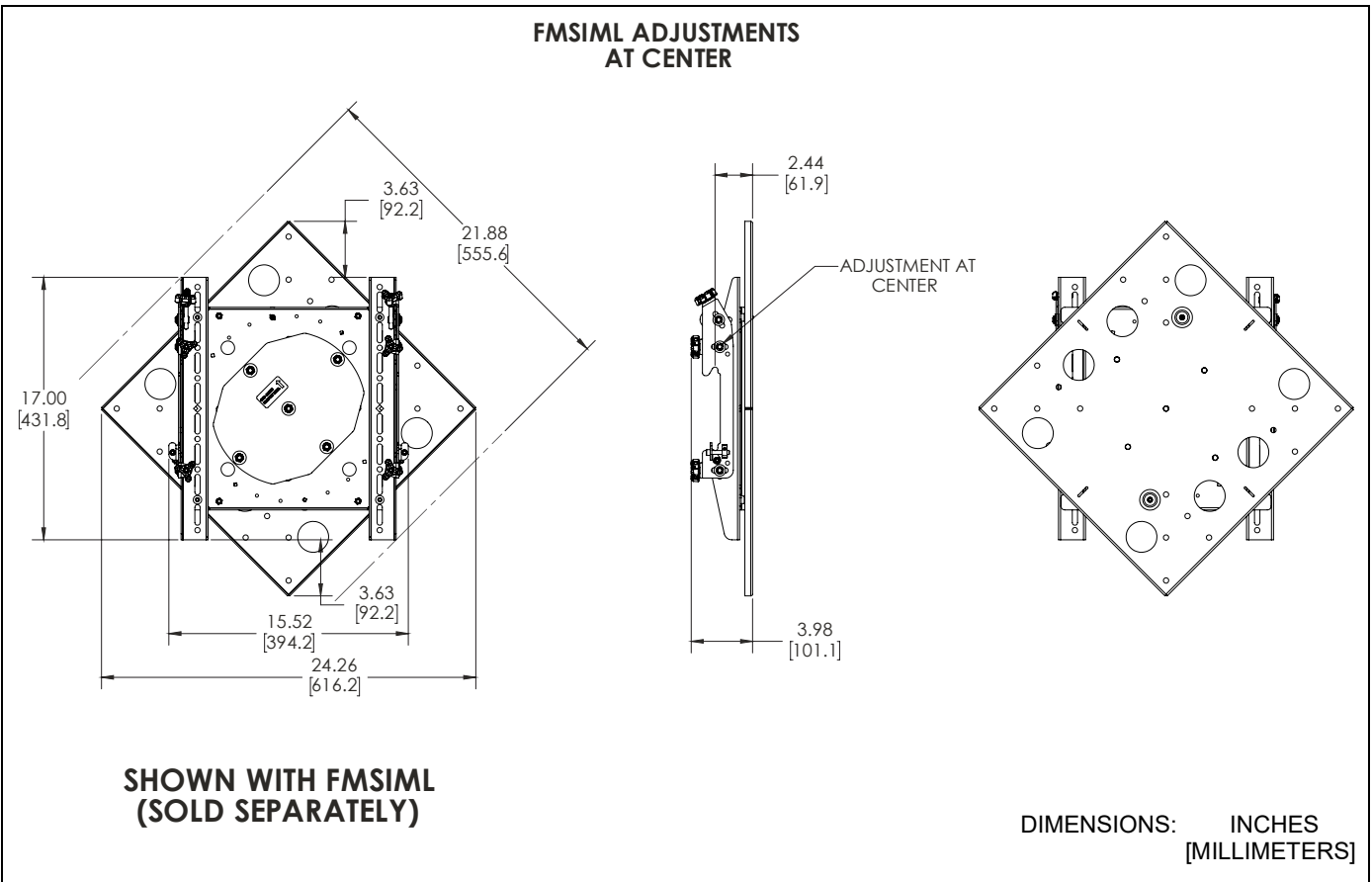
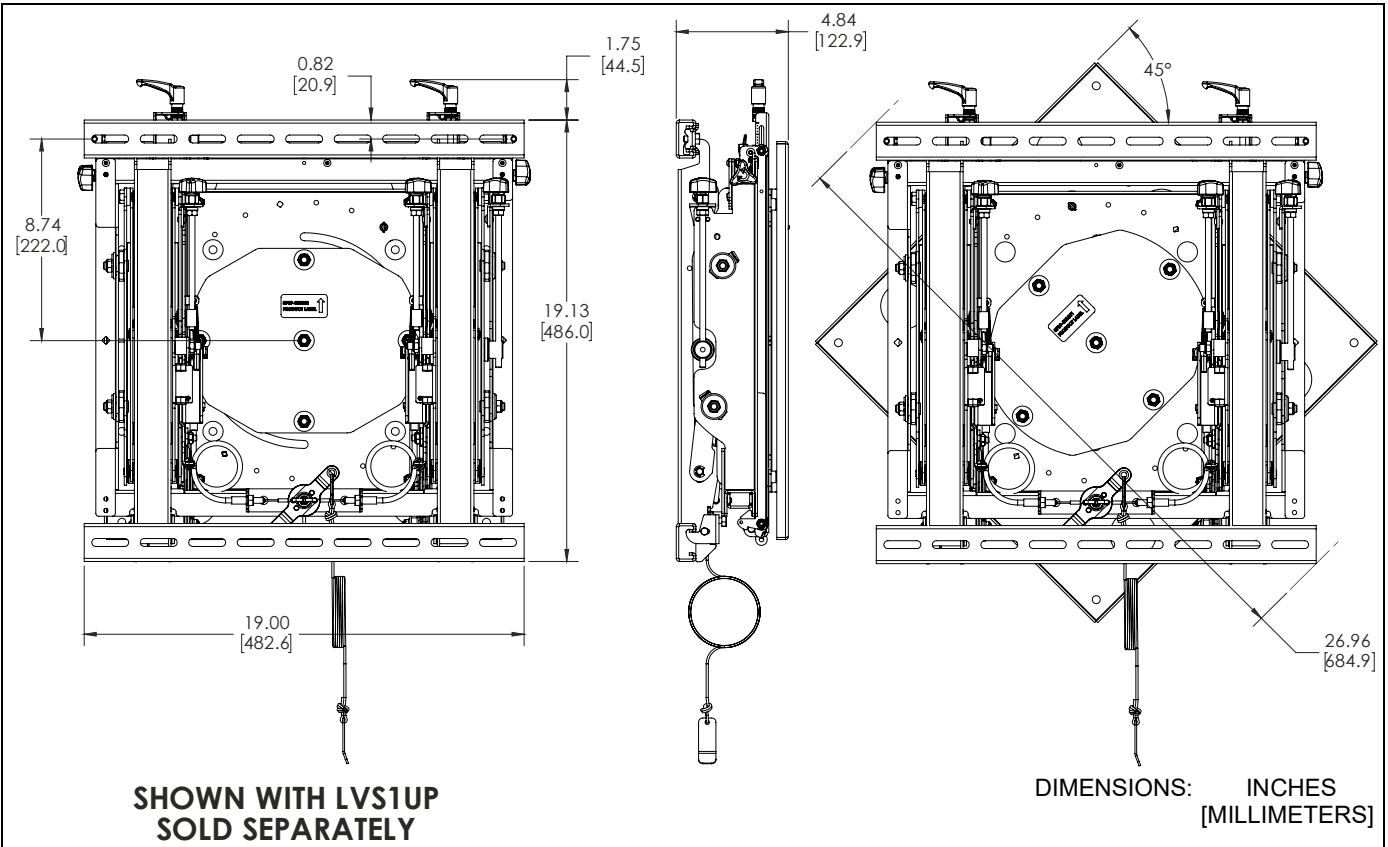
- STMS1U
- MTMS1U
- MSM1U
- LVS1UP
- LVS1U
- MCM1U with FCASFP
- MFAUB
- MPAUB
- MFAUB with FCASFP
- MPAUB with FCASFP
- LSCU

**--SAVE THESE INSTRUCTIONS--**

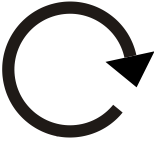

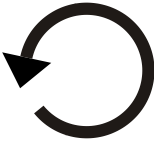

**DIMENSIONS**



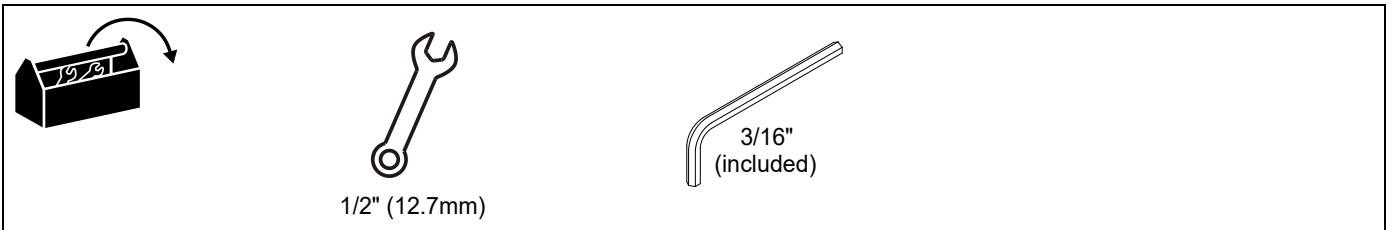
**DIMENSIONS - cont'd**



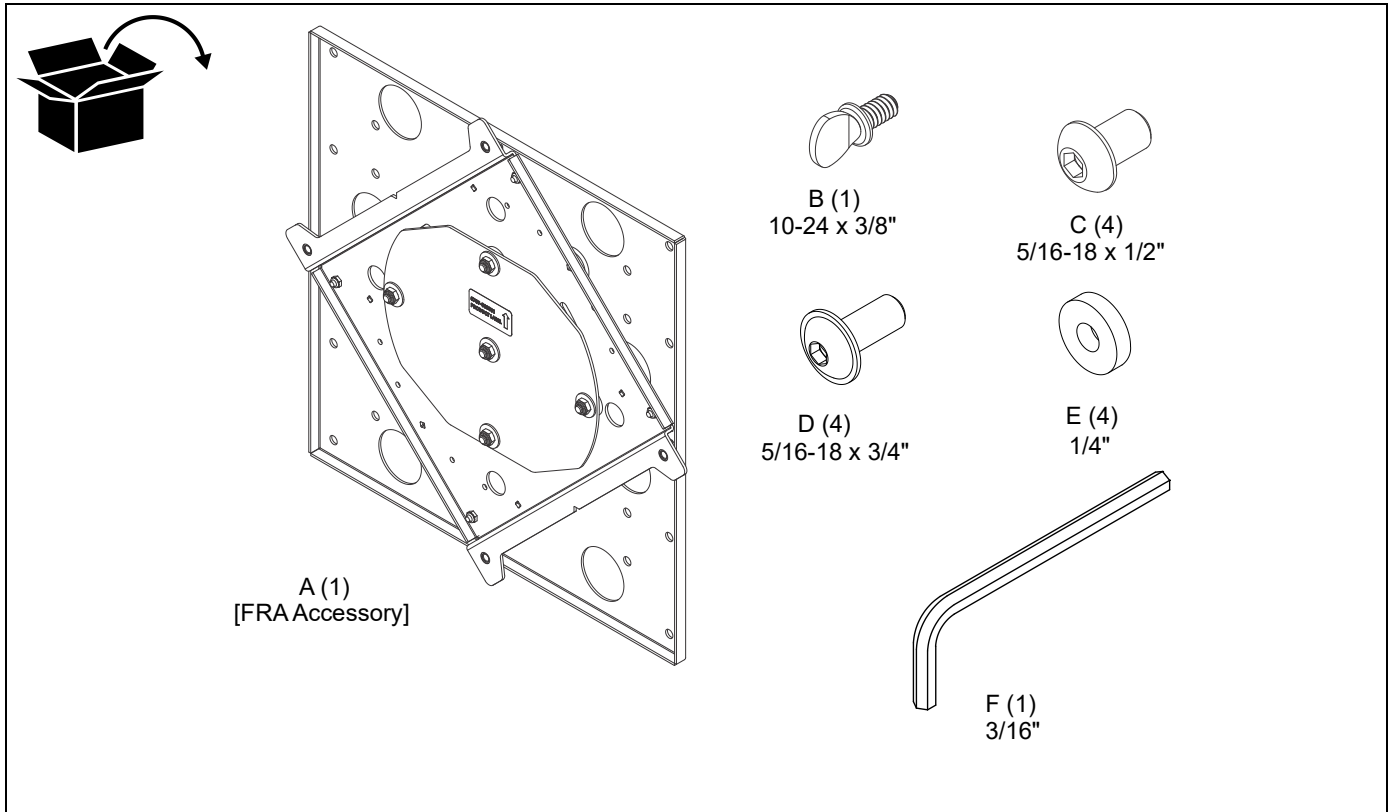
**LEGEND**

	<b>Tighten Fastener</b>		<b>By Hand</b>
	Apretar elemento de fijación		A mano
	Befestigungsteil festziehen		Von Hand
	Apertar fixador		Com a mão
	Serrare il fissaggio		A mano
	Bevestiging vastdraaien		Met de hand
Serrez les fixations	À la main		
	<b>Loosen Fastener</b>		<b>Hex-Head Wrench</b>
	Aflojar elemento de fijación		Llave de cabeza hexagonal
	Befestigungsteil lösen		Sechskantschlüssel
	Desapertar fixador		Chave de cabeça sextavada
	Allentare il fissaggio		Chiave esagonale
	Bevestiging losdraaien		Zeskantsleutel
Desserrez les fixations	Clé à tête hexagonale		

**TOOLS REQUIRED FOR INSTALLATION**



**PARTS**



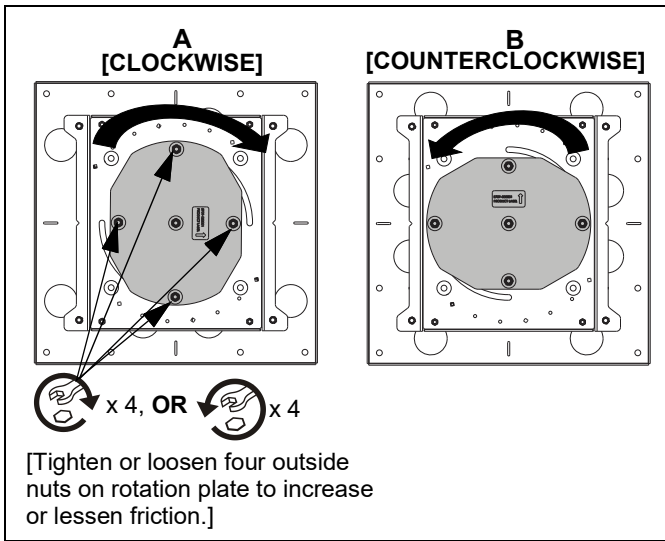
**Prior to Installation**

**NOTE:** If the display is already attached to the mounting system, be sure to remove it before proceeding with installation of this accessory.

**NOTE:** The four nuts along the outside edge of rotation plate may be tightened to increase the friction of the plate, or loosened to decrease friction. (See Figure 1)

**NOTE:** Direction of rotation **MUST** be determined before proceeding with the installation (Refer to orientation of rotation plate.)

- See Drawing A (See Figure 1) to install the bracket to allow clockwise rotation when looking at the back of the display.
- See Drawing B (See Figure 1) to install the bracket to allow counter-clockwise rotation when looking at the back of the display.



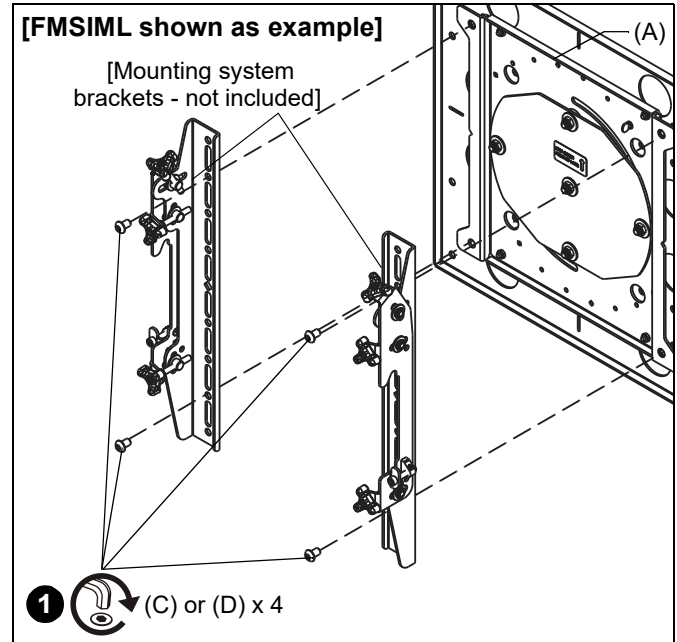
**Figure 1**

**Installation**

1. Center the mounting system brackets on the FRA accessory, matching center of brackets with center indicators marked on FRA. (See Figure 4)

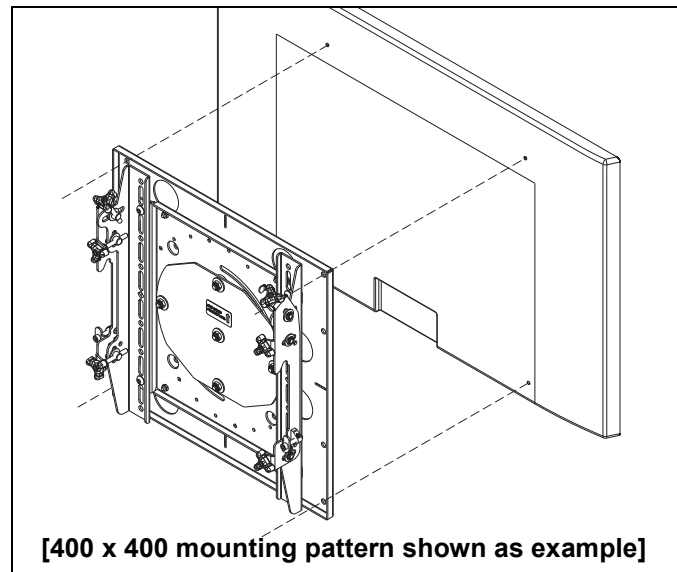
**IMPORTANT ! :** If installing to LSCU cart, use 5/16-18 x 3/4" button head flange screws (D) and 1/4" spacers (E) in Step 2. Use 5/16-18 x 1/2" button head cap screws (C) for all other mounts.

2. Install mounting system brackets to the FRA accessory (A) using four 5/16-18 x 1/2" button head cap screws (C) or 5/16-18 x 3/4" button head flange screws (D) with 1/4" spacers (E). [LSCU only]. (See Figure 2) or (See Figure 3)



**Figure 2**

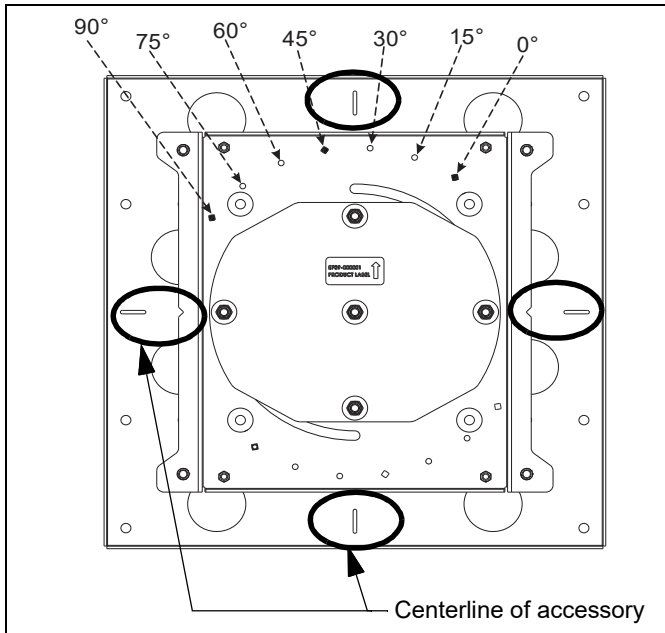
3. Attach display to FRA (A) using hardware included with mounting system, and following installation instructions included with the mounting system. (See Figure 3)



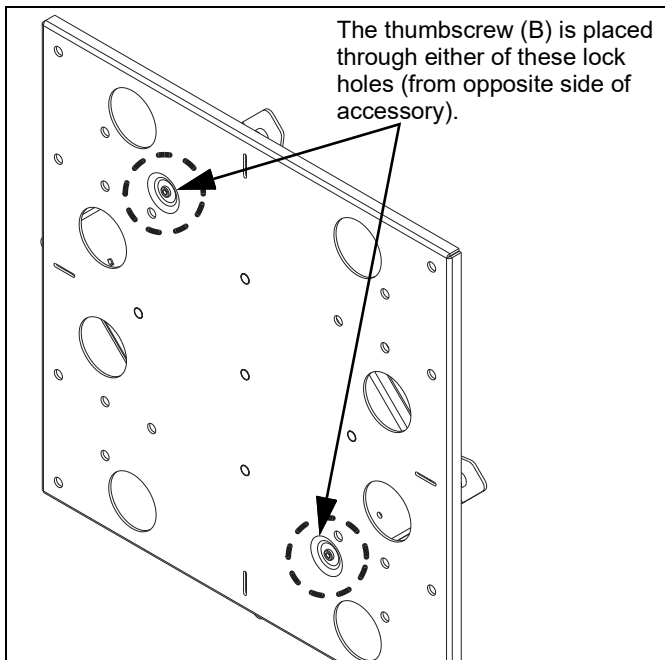
**Figure 3**

4. Hang FRA with attached display onto mounting system following instructions included with mounting system.

5. Rotate display as desired, and add 10-24 x 3/8" thumbscrew (B) to lock FRA accessory into place. (See Figure 4) and (See Figure 5)



**Figure 4**



**Figure 5**

# CHIEF®

A brand of  legrand®

8800-002945 Rev01  
©2023 Legrand | AV  
[www.legrandav.com](http://www.legrandav.com)  
02/2023

<b>USA/International</b>	<b>A</b> 6436 City West Parkway, Eden Prairie, MN 55344
	<b>P</b> 800.582.6480 / 952.225.6000
	<b>F</b> 877.894.6918 / 952.894.6918
<b>Europe</b>	<b>A</b> Franklinstraat 14, 6003 DK Weert, Netherlands
	<b>P</b> +31 (0) 495 580 852
	<b>F</b> +31 (0) 495 580 845
<b>Asia Pacific</b>	<b>A</b> Office No. 918 on 9/F, Shatin Galleria 18-24 Shan Mei Street Fotan, Shatin, Hong Kong
	<b>P</b> 852 2145 4099
	<b>F</b> 852 2145 4477

