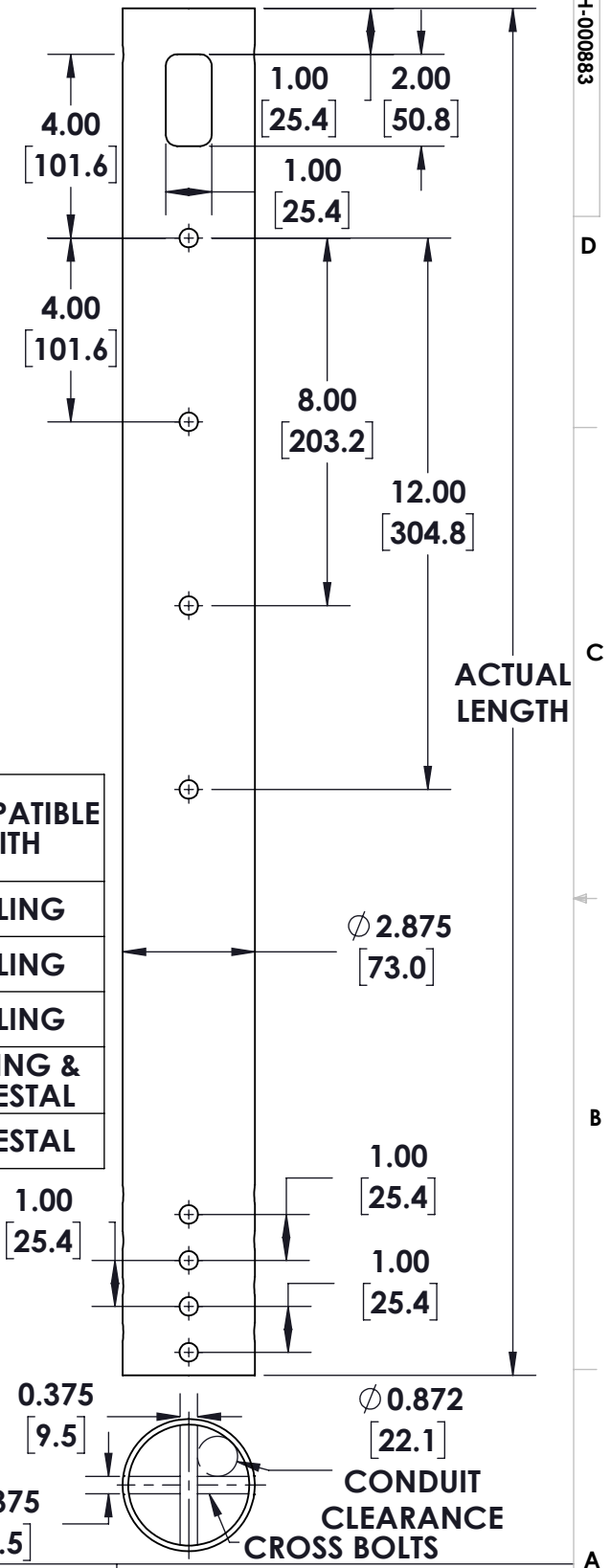
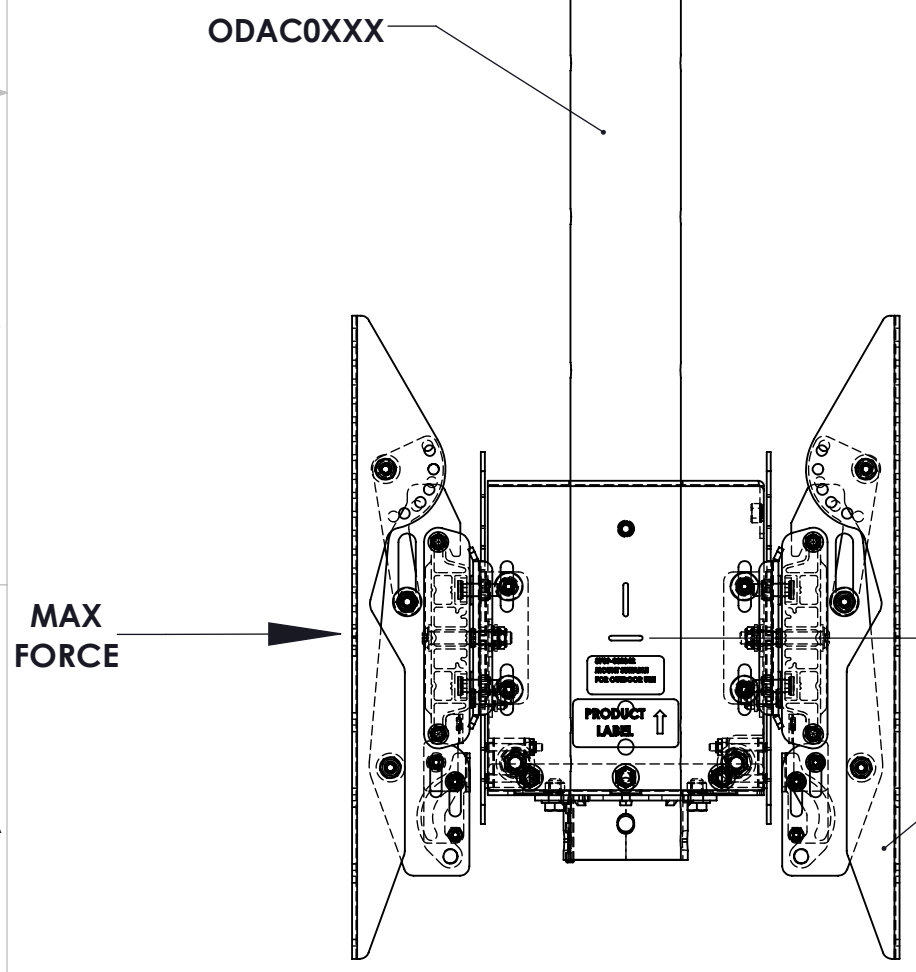


$$\text{MAX FORCE} = \frac{\text{MDM}}{\text{ML}} \times 12$$

MOMENT LENGTH (ML) (INSTALL DROP LENGTH)

MODEL NUMBER	APPROXIMATE WEIGHT (LBS)	WEIGHT CAPACITY (LBS)	ACTUAL LENGTH (IN)	MOMENT LENGTH (IN) (ML)**	MAX DESIGN MOMENT (FT-LBS) (MDM)*	COMPATIBLE WITH
ODAC0203B	9	300	29.75	23 (MIN) - 36 (MAX)	2,000	CEILING
ODAC0304B	12	300	41.75	33 (MIN) - 48 (MAX)	2,000	CEILING
ODAC0405B	16	300	53.75	45 (MIN) - 60 (MAX)	2,000	CEILING
ODAC0506B	19	300	65.75	57 (MIN) - 72 (MAX)	2,000	CEILING & PEDESTAL
ODAC0708B	26	300	88.25	81 (MIN) - 96 (MAX)	2,000	PEDESTAL

* SEE INSTRUCTION MANUAL
** ONE INCH INCREMENTS



THE INFORMATION AND DESIGNS CONTAINED IN THIS DRAWING ARE CONFIDENTIAL AND THE PROPRIETARY PROPERTY OF MILESTONE AV TECHNOLOGIES NEITHER THIS DESIGN NOR ANY INFORMATION CONTAINED IN THIS DRAWING MAY BE REPRODUCED OR DISCLOSED TO OTHERS WITHOUT THE EXPRESS WRITTEN CONSENT OF MILESTONE AV TECHNOLOGIES.

CAD GENERATED DRAWING, DO NOT MANUALLY UPDATE.			
DRAWN BY	JF	12/20/2017	<p>6436 CITY WEST PKWY EDEN PRAIRIE MN, 55344 PHONE: 866-977-3901 FAX: 877-894-6918</p>
ENG APPROVAL			
MFG APPROVAL			
QA APPROVAL			
SHEET 1 OF 1		SCALE 1:4	DESCRIPTION ODA COLUMN MODEL NO. ODAC0XXX
SIZE B	DWG. NO. TECH-000883	REV. 00	