

## FPMA-D865DBLACK

## NEOMOUNTS FPMA-D865DBLACK MONITOR STAND 10-27" - GAS SPRING

### SPECIFICATIONS

#### GENERAL

Min. screen size*	10
Max. screen size*	27
Min. weight	0
Max. weight	6
Screens	2
Desk mount	Stand
VESA maximum	100x100 mm
VESA minimum	75x75 mm

#### FUNCTIE

Type	Tilt
	Rotate
	Swivel
	Full motion
Height adjustment	35,2-46,2 cm
Depth adjustment	5 cm
Tilt (degrees)	+20°, -20°
Swivel (degrees)	20°
Rotate (degrees)	360°
Adjustment type	Gas spring
Pivot points	1

#### INFORMATION

Color	Black
Main material	Steel
Warranty	5 year

\*Please note: The inch sizes stated are just an indication, combined with the weight and VESA sizes. The maximum weight and VESA size are absolute restrictions for the products and should not be exceeded.



Neomounts



Neomounts

### Neomounts FPMA-D865DBLACK Dual monitor stand - 10-27" - 0-6 kg/screen - gas spring - black

The Neomounts desk mount, model FPMA-D865DBLACK is a tilt-, swivel and rotatable desk mount for two flat screens up to 27". This mount is a great choice for space saving placement on desks using a desk stand.

Neomounts versatile tilt (40°), rotate (360°) and swivel (20°) technology allows the mount to change to any viewing angle to fully benefit from the capabilities of the flat screen. The mount is manually height adjustable from 35 to 46 centimetres. Depth 5 centimetres.

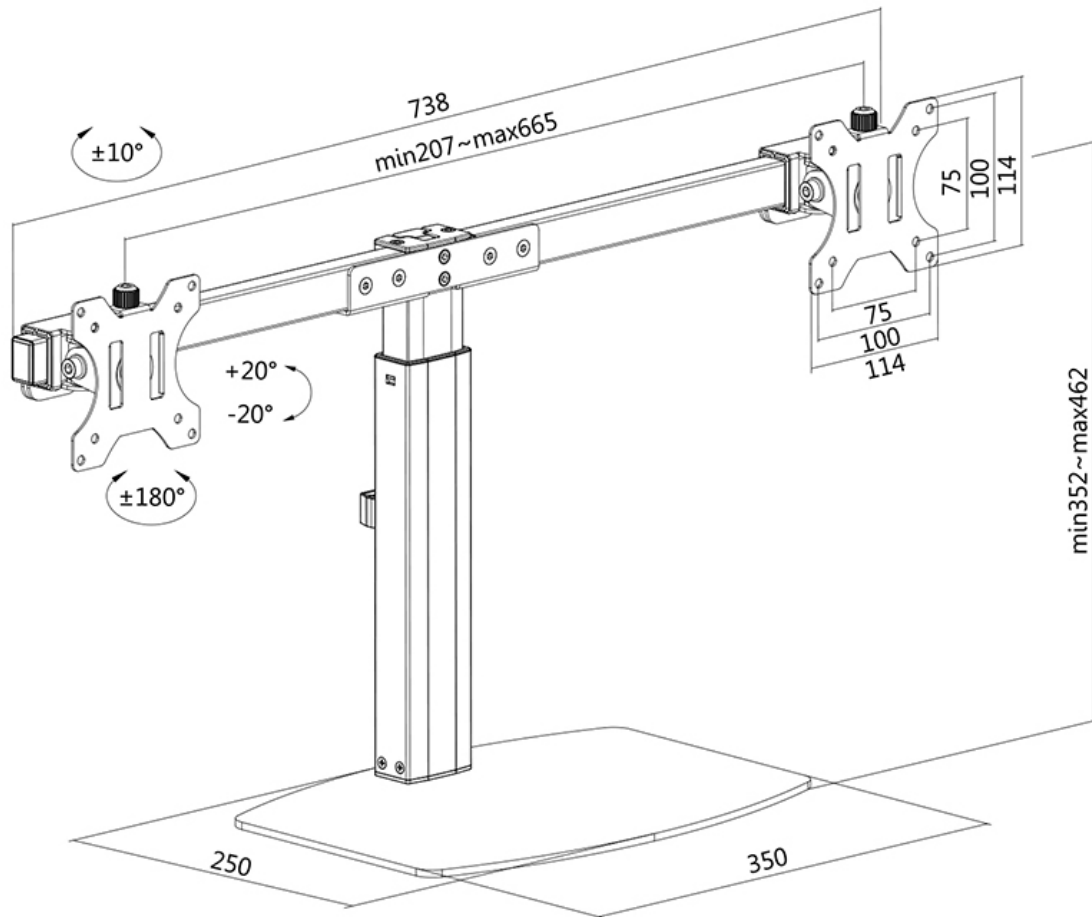
Neomounts FPMA-D865DBLACK has one pivot point and is suitable for screens up to 27" (69 cm). The weight capacity of this product is 6 kg each screen. The desk mount is suitable for screens that meet VESA hole pattern 75x75 or 100x100mm. Different hole patterns can be covered using Neomounts VESA adapter plates.

By using an ergonomic mount neck- and back complaints can be avoided. Ideal for use in offices and on counters or in a reception area.

All installation material is included with the product.

FPMA-D865DBLACK

NEOMOUNTS FPMA-D865DBLACK MONITOR  
STAND 10-27" - GAS SPRING



Neomounts

Measuring unit: mm