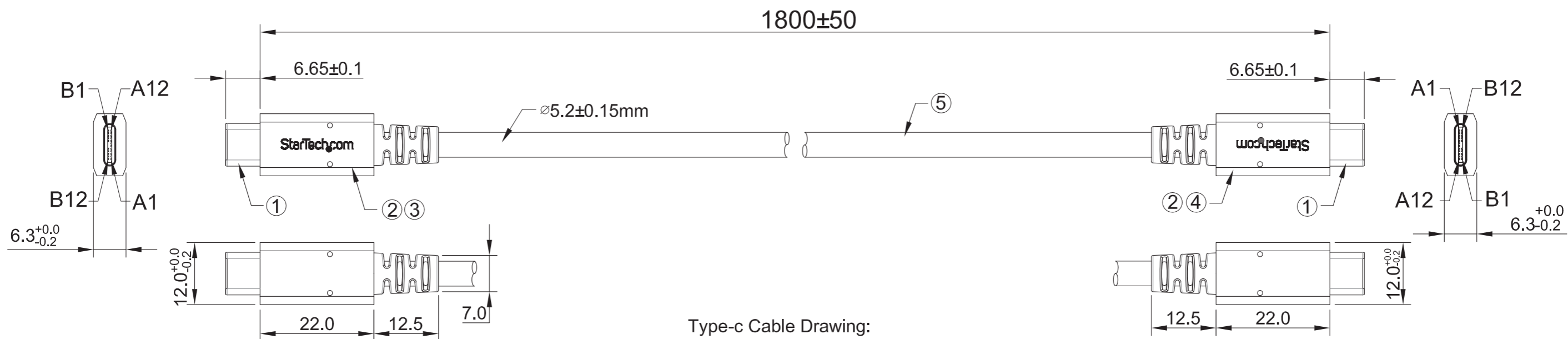
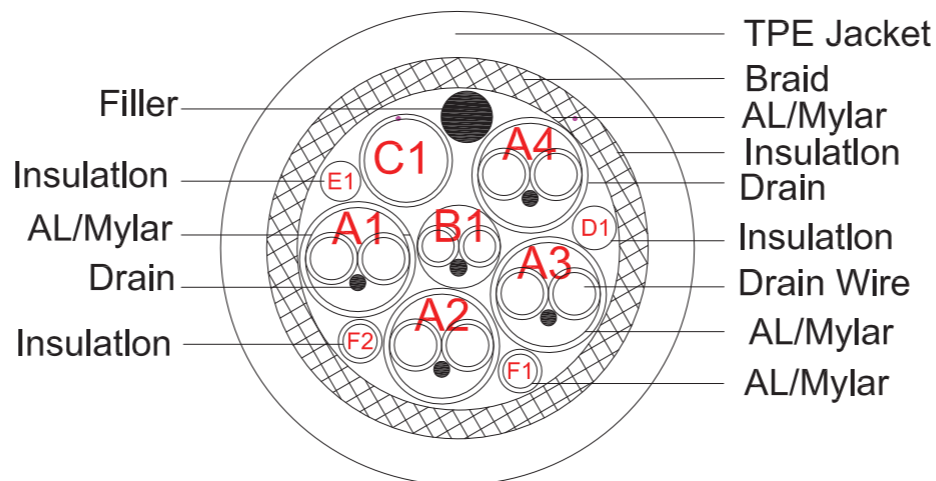


6ft USB 3.1 Gen1 5Gbps Power Delivery(5A) C to C Cable - M/M (Certified)

USB315C5C6



Type-c Cable Drawing:



ELECTRIC TESTING:

1. 100% OPEN&SHORT TEST.
2. HI-POT:100V DC,10ms,
INSULATION RESISTANCE: $\geq 1 \text{ M}\Omega$ (MIN.).
3. CONDUCTIVE RESISTANCE: 5Ω (MAX).
4. RoHS COMPLIANT. duct

Marking(color:White): CTI(Logo) wire & cable SuperSpeed USB 3.1 E81280-D
UL(Logo) AWM 21445 80°C 30V VW-1 CHING TAI

ITEM	SPECIFICATION
5	Cable Spec:USB 3.1 Cable [(32AWG*1P+EAM)*4P+(32AWG*1P+EA)*1P+21AWG*1C+32AWG*1C+34AWG*1C+(34AWG*1C+A)*2+AB]*1C OD:5.2mm Jacket=Black TPE with White Text:CTI(Logo) wire & cable SuperSpeed USB 3.1 E81280-D AWM 21445 80°C 30V VW-1 CHING TAI (307086C01200000 / P/N:C17S1456-1)
4	C/Male PCBA (210100113000113)
3	C/Male PCBA - IC (210100113000112)
2	PVC-UL94V-0 Black 60P (31401012060)
1	USB Type - C Plug-Nickel Plated (Pin:AU 30u") (30308C102N01/30308C102N04/30308C102N05 / YT-3200/3291/3333)

CONNECTION

