

VISION 

# **SB-1900P POWERED SPEAKERS**

## **OWNERS MANUAL**



[www.visionaudiovisual.com/techaudio/sb-1900p/](http://www.visionaudiovisual.com/techaudio/sb-1900p/)

## DECLARATION OF CONFORMITY

Where applicable Vision products are certified and comply with all known local regulations to a 'CB Certification' standard. Vision commits to ensure all products are fully compliant with all applicable certification standards for sale in the EU and other participating countries.

The product described in this owner manual is in compliance with RoHS (EU directive 2002/95/EC), and WEEE (EU directive 2002/96/EC) standards. This product should be returned to the place of purchase at the end of its useful life for recycling.

## WARNINGS



**CAUTION**  
**RISK OF ELECTRIC SHOCK**  
**DO NOT OPEN**



**CAUTION: TO REDUCE THE RISK OF ELECTRIC SHOCK DO NOT REMOVE COVER (OR BACK). NO USER-SERVICEABLE PARTS INSIDE. REFER SERVICING TO QUALIFIED SERVICE PERSONNEL.**

 The lightning flash with arrowhead symbol, within an equilateral triangle, is intended to alert the user to the presence of uninsulated "dangerous voltage" within the product's enclosure that may be of sufficient magnitude to constitute a risk of electric shock to persons.

 The exclamation point within an equilateral triangle, is intended to alert the user to the presence of important operating and maintenance (servicing) instructions in the literature accompanying the appliance.

**WARNING: TO REDUCE THE RISK OF FIRE OR ELECTRIC SHOCK, DO NOT EXPOSE THIS APPLIANCE TO RAIN OR MOISTURE.**

All products are designed and imported into the EU by 'Vision' who is wholly owned by 'Azlan Logistics Ltd.', Registered in England Nr. 04625566 at Lion House, 4 Pioneer Business Park, Clifton Moor, York, YO30 4GH. WEEE Registration: GD0046SY



## DECLARATION OF ORIGIN

All Vision products are made in the People's Republic of China (PRC).

## USE ONLY DOMESTIC AC OUTLETS

Connecting the unit to an outlet supplying a higher voltage may create a fire hazard.

### **HANDLE THE POWER CORD WITH CARE**

Do not disconnect the plug from the AC outlet by pulling the cord; always pull the plug itself. Pulling the cord may damage it. If you do not intend to use your unit for any considerable length of time, unplug the unit. Do not place furniture or other heavy objects on the cord, and try to avoid dropping heavy objects on it. Do not tie a knot in the power cord. Not only could the cord be damaged, but a short circuit could also be caused with a consequent fire hazard.

### **PLACE OF INSTALLATION**

Avoid installing this product under the following conditions:

- Moist or humid places
- Places exposed to direct sunlight or close to heating equipment
- Extremely cold locations
- Places subject to excessive vibration or dust
- Poorly ventilated places

Do not expose this product to dripping or splashing. **DO NOT PLACE OBJECTS FILLED WITH LIQUIDS ON OR NEAR THIS PRODUCT!**

### **MOVING THE UNIT**

Before moving the unit, be sure to pull out the power cord from the AC outlet and disconnect the interconnection cords with other units.

### **WARNING SIGNS**

If you detect an abnormal smell or smoke, turn this product off immediately and unplug the power cord. Contact your reseller or Vision.

### **PACKAGING**

Save all packing material. It is essential for shipping in the event the unit ever needs repair.

**IF ORIGINAL PACKAGING IS NOT USED TO RETURN THE UNIT TO THE SERVICE CENTRE, DAMAGE IN TRANSIT WILL NOT BE COVERED BY WARRANTY.**

### **WATTS**

The most consistent standards for measuring watts are "Program Power" and "RMS" because these measure average sustained levels.

Where loudspeakers have integrated amplifiers, then load (resistance, measured in ohms) is known so the wattage rating is fixed.

**SPECIAL WARNINGS**

Never use this product near an aircraft or medical facility. It can cause interference.

Use of product in the following locations may result in abnormal video and audio output:

- Product installed in the walls made of concrete
- Product situated near refrigerator. Microwave oven, or other metal items
- A cluttered room where the wireless signals may be blocked

This product has been tested and manufactured to comply with each country's safety rules, however there is no guarantee that interference will not occur in some scenarios.

**FEDERAL COMMUNICATIONS COMMISSION INTERFERENCE STATEMENT**

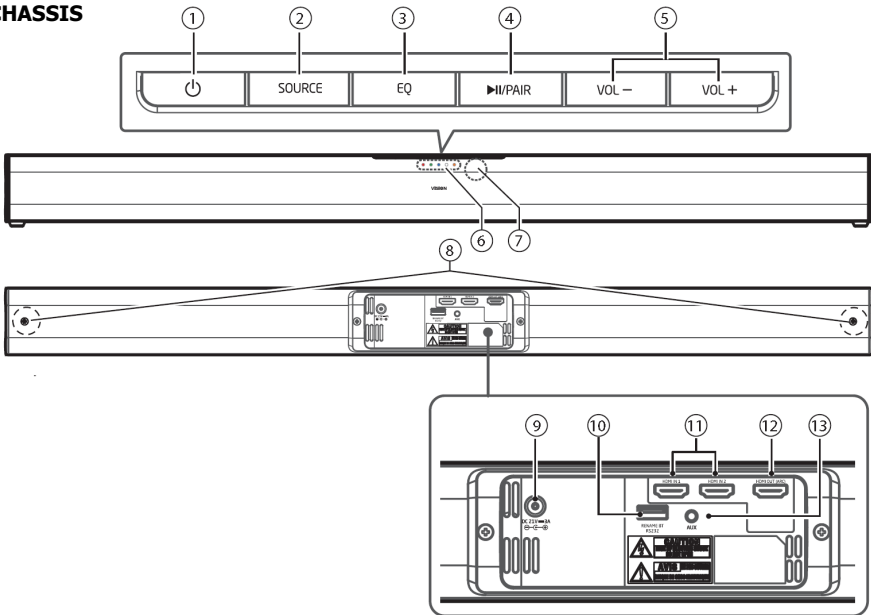
This equipment has been tested and found to comply with the limits for a Class B digital device, pursuant to Part 15 of the FCC Rules. This equipment generates, uses and can radiate radio frequency energy and may in extreme cases cause harmful interference to radio communications. If this happens the user should try:

- Relocating the receiving antenna
- Increasing the separation between the equipment and receiver
- Connect the equipment to a different power circuit.

**RADIATION EXPOSURE STATEMENT:**

This equipment complies with IC radiation exposure limits set forth for an uncontrolled environment. This equipment should be installed and operated with minimum distance 20cm between the radiator and your body.

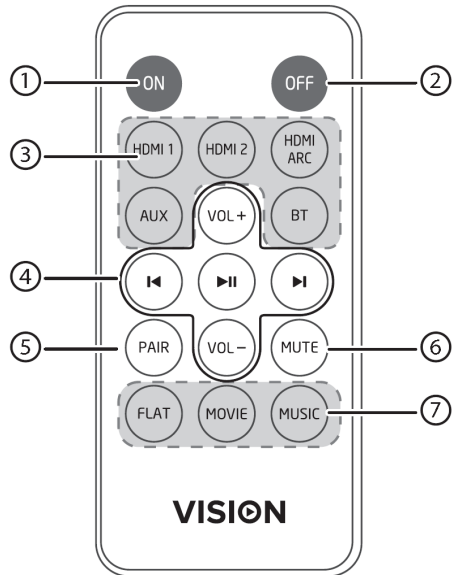
## CHASSIS



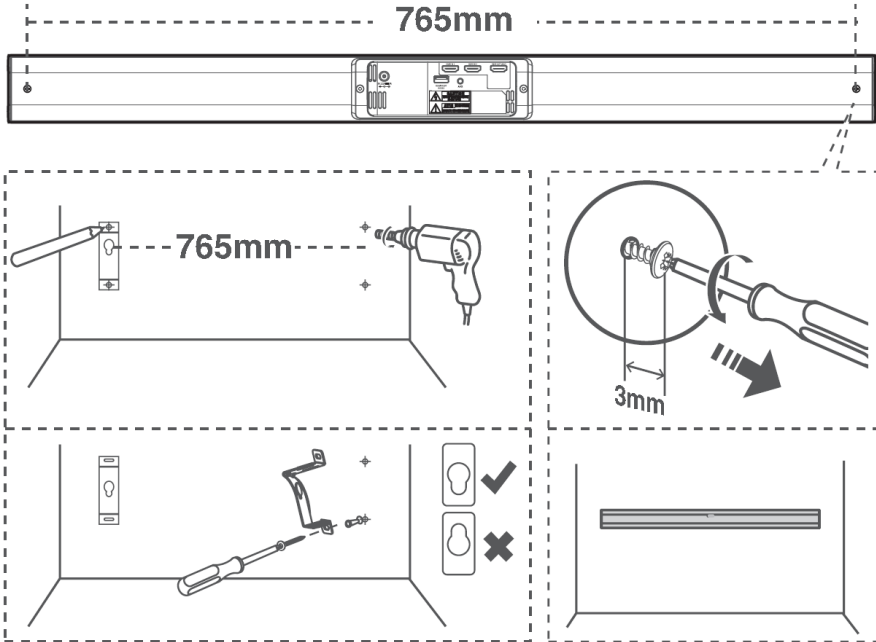
1. Standby button
2. SOURCE button
3. EQ Equaliser button
4. PLAY/PAIR button
  - Pause or play content on Bluetooth source device.
  - Press and hold to activate pairing function and disconnect existing paired device.
5. VOL+/VOL- buttons. If BT selected this *does not* affect the volume level of the device.
6. LED Indicators on front
  - Red STANDBY
  - Green AUX
  - Blue Bluetooth
  - White HDMI 1
  - Flashing White HDMI 2
  - Orange HDMI ARC
7. IR remote receiver
8. Wall bracket screws
9. DC power socket
10. USB-A Socket for changing BT name and pin, and RS-232 control
11. HDMI 1 and 2 inputs
12. HDMI OUT ARC
13. AUX 3.5mm Minijack input Socket

## REMOTE CONTROL

1. On
2. Off
3. Input selection
4. VOL volume up and down  
PLAY if in BT mode, controls the source device
5. PAIR activates pairing function and disconnect existing paired device.
6. Mute
7. EQ Equaliser buttons



## INSTALLATION



## AUTO STANDBY

This product has auto-standby and complies with ErP II (2009/125/EC reduction of energy use directive).

- It will turn off after 15 minutes.
- It will automatically turn on when signal is sensed.
- It relies on input sensitivity to do this. Make sure volume on source device is turned up.

## DISABLE

**Put into STANDBY then** hold V+ button until blue light flashes. The blue LED will flash slowly once. To enable the same again. The blue LED will flash quickly three times.

## POWER CYCLING

If mains power is turned off and on, this product will automatically turn back on and resume previous settings.

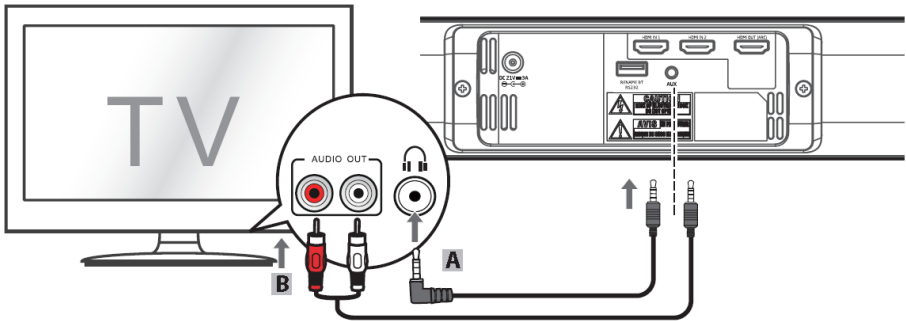
## EQ

Pressing this button cycles through:

- Music
- Movie
- Speech

## MINIJACK (HEADPHONE JACK) INPUT

Connect source device as shown (cables not included)

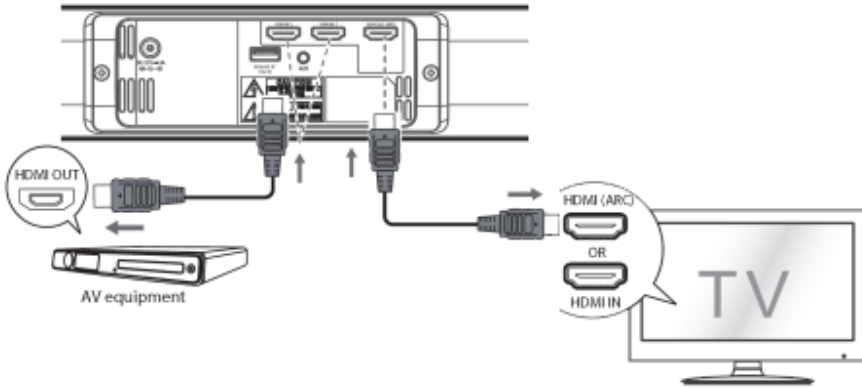


Used as shown the TV remote can be used to adjust volume. Note: not all TVs have a headphone jack.



## HDMI INPUTS

Connect source device as shown (cables not included)



### ***HDMI ARC (Audio Return Channel) INPUT***

Connect the ARC **INPUT** on the SB-1900P to the ARC **OUTPUT** on the display.  
The speakers in the display will no longer work.  
The display remote control will now control the soundbar output.

Note: not all displays have an ARC output, and you may need to activate it in the menu.

### ***STANDARD HDMI INPUTS***

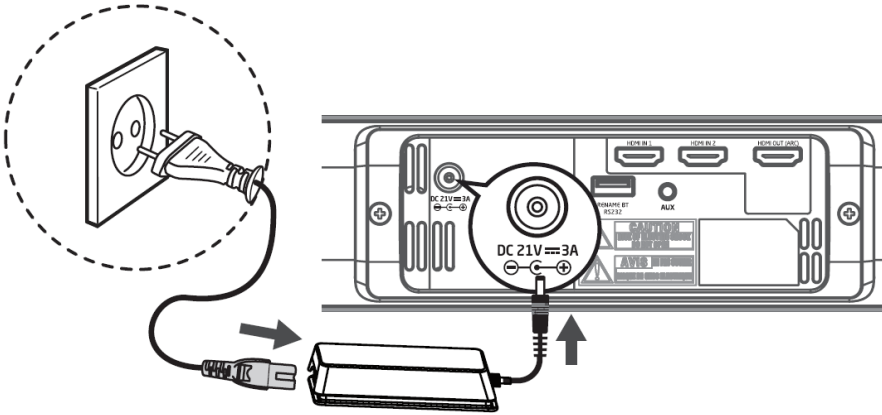
Connect source/s to Input 1 and 2.  
Connect HDMI output on SB-1900P to normal HDMI Input on display

Note: If no sound and the Status lights flashes quickly, you may need to activate PCM Signal output on your source device.

## CONNECT POWER

Before connecting power ensure you complete all other connections.

Unwind DC cable to its full length. Connect the other end of the mains cable to the socket at the rear of the soundbar then connect the mains plug to the mains socket.



## **BLUETOOTH INPUT**

The first time you connect you will need to pair your device. For this example we will pair a phone.

1. PRESS SOURCE TO ACTIVATE BT INPUT Blue Indicator will start flashing
2. ON PHONE GO INTO SETTINGS/BLUEOOTH You will see the SB-1900P listed. If not it may already be paired to another device (Blue indicator will have stopped flashing). Press PAIR button on the remote control, or Press and hold PAIR button on the speaker, until blue indicator starts flashing.
3. ENTER PASSWORD 0000 (zero four times). When it pairs the blue indicator will light up solidly.

### Notes:

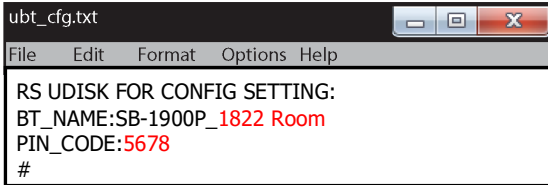
- The operational range is approximately 8 metres (26 feet)
- If signal strength is weak and connection is lost, the soundbar will revert to pairing mode.
- This product uses Bluetooth version 4.2. It is not guaranteed to work with all source devices.
- This product can only pair with one source at a time.
- If no source device is paired within 2 minutes will revert to the previous source.
- This device supports A2DP (Advanced Audio Distribution Profile) and AVRCP (Audio Video Remote Control Profile)

## RENAME BLUETOOTH

1. Create a plain text file on PC named **ubt\_cfg.txt** and put it in the root directory of a USB thumb drive



2. Open the file and copy this content:



```
ubt_cfg.txt
File Edit Format Options Help
RS UDISK FOR CONFIG SETTING:
BT_NAME:SB-1900P_1822 Room
PIN_CODE:5678
#
```

Note: Only the red text is editable. The maximum length is 32 characters.  
If the pin is left blank, or if an alphabetical character is used it will be regarded as no pin.

3. Unplug power from the soundbar
4. Press and hold EQ button
5. Plug power in. All source LEDs will flash 2 times to indicate BT rename mode
6. Insert USB thumb drive. It will automatically update the name;  
To confirm **name** update the BT input LED will flash slowly **1 time**  
To confirm **name and pin** update the BT input LED will flash **3 times**

## RS-232

RS-232 is via the USB port.

Use the USB to RS-232 adaptor included. Other USB to RS-232 adaptors may not work.

The pin out is:

Pin	2	3	5
Signal	TXD	RXD	GND

This pin configuration allows a PC running a serial terminal program (such as Hyper Terminal) to communicate with the soundbar using a straight-through DB9 9-pin RS-232 serial cable.

Do NOT use a "Null-Modem" type cable for PC connection.

Communication Settings:

Baud Rate	Data Bits	Parity	Stop Bit	Flow Control
19200	8	None	1	None

### Command Structure:

Each command starts with a # sign (ASCII 0x23) followed by a 3-character command code.

If there are any parameters for the command, the parameters are given in text format, separated by a **space** (ASCII 0x20) from the command code.

The # character must never appear in the parameters.

A carriage return (ASCII 0x0d) indicates the end of the command.

A line feed (ASCII 0x0a) can optionally follow the carriage return and will be ignored.

Each command generally may not exceed 20 bytes including the start of command and end of command bytes.

The illustration of the command structure is as follows:

<Command> = <Start of Command><Command Code>[<sp><Parameters>]<End of Command>

<Start of Command> = #, ASCII 0x23

<Command Code> = <byte><byte><byte>

<sp> = space, ASCII 0x20

<Parameters> = command-specific

<End of Command> = CR, ASCII 0x0d LF, ASCII 0x0a

## Response Structure:

Upon receiving a command the soundbar will execute the command and send back a response.

- The response starts with an "@" sign (ASCII 0x23), followed by the original command code and a space (ASCII 0x20), and a result code, either "OK" or "ER".
- If there are any parameters or additional messages, the parameters or messages are given in text format, separated by a space (ASCII 0x20) from the result code.
- The "@" character (ASCII 0x40) must never appear in the parameters or message.
- A carriage return (ASCII 0x0d) indicates the end of response. Each response generally may not exceed 25 bytes including the start of response and the end of response bytes.
- The illustration of the response structure is as follows.

<Response> = <Start of Response><Command Code><sp><Result Code>[<sp><Parameters>]<End of Response>

<Start of Response> = @, ASCII 0x40

<Command Code> = <byte><byte><byte>

<Result Code> = OK|ER

<sp> = space, ASCII 0x20

<Parameters> = command-specific

<End of Response> = CR, ASCII 0x0d

## Status Update Messages Structure:

If the verbose mode is set to 2 or 3, the soundbar will send status update messages automatically. These messages are not a response to any particular command. Any status change caused by commands from RS232 control, front panel buttons, IR remote control, or playback progress may trigger status update messages.

The status update messages have the following structure:

<Update> = <Start of Update><Status Code>[<sp><Parameters>]<End of Update>

<Start of Update> = @, ASCII 0x40

<Status Code> = <byte><byte><byte>

<sp> = space, ASCII 0x20

<Parameters> = status-specific

<End of Response> = CR, ASCII 0x0d

## Command Sequence:

Commands are executed in the order they are received. The control client should wait for a response from the soundbar before sending the next command.

If the soundbar receives a new command before executing the previous command, the soundbar may execute the commands in sequence or discard the previous command, depending on the internal processing of the soundbar. The control client should avoid sending multiple commands in sequence without waiting for a response.

If the host does not receive a response from the soundbar 10 seconds after the command is issued, the host may consider the command or response lost during transmission, and can retransmit the command.

## A. Remote Control Commands

Commands that are mapped to a remote control buttons

No parameters are needed for these commands. The soundbar handles the commands as if it receives the same IR remote commands.

Command Code	Remote Key	Function	Response Example
#POW 23 50 4F 57 0D	POWER	Toggle STANDBY and ON	"@ OK ON/OFF" ON Boot OFF Turn OFF
#PON 23 50 4F 4E 0D	ON	Discrete on	"@ OK ON" ON Boot
#POF 23 50 4F 46 0D	OFF	Discrete off	"@ OK OFF" OFF Turn OFF
#VUP 23 56 55 50 0D	VOL +	Increase volume	"@ OK xx" STE VOL xx
#VDN 23 56 44 4E 0D	VOL -	Decrease volume	"@ OK xx" STE VOL xx
#MUT 23 4D 55 54 0D	MUTE	Mute audio	"@ OK MUT" STE MUTE
#SRC 23 53 52 43 0D	SOURCE	Switch Function	"@ OK AUX/ABT/CAO/OPT/ARC/HD1/HD2/STANDBY" STE SOURCE xxx
#NEQ 23 4E 45 51 0D	EQ	Switch preset EQ	"@ OK MUSI" "@ OK MOVI" "@ OK NEWS" "@ OK FLAT" STE EQ xxx
#PLA 23 50 4C 41 0D	PLAY	Start playback	"@ OK" MUSIC PLAY
#PRE 23 50 52 45 0D	PREV	Skip to previous	"@ OK"
#NXT 23 4E 58 54 0D	NEXT	Skip to next	"@ OK"
#PAR 23 50 41 52 0D	PAIR	BT Pair	"@ OK"



## Input Commands

*September 2019 note: a firmware upgrade may be required to make these codes work*

#SSR AUX	23 53 53 52 20 41 55 58 0D	AUX
#SSR BT	23 53 53 52 20 42 54 0D	BT
#SSR ARC	23 53 53 52 20 41 52 43 0D	ARC
#SSR HD1	23 53 53 52 20 48 44 31 0D	HDMI1
#SSR HD2	23 53 53 52 20 48 44 32 0D	HDMI2
#SEQ MOV	23 53 45 51 20 4D 4F 56 0D	MOVIE
#SEQ MUS	23 53 45 51 20 4D 55 53 0D	MUSIC
#SEQ NEW	23 53 45 51 20 4E 45 57 0D	NEWS

## B. Query Commands

This group of commands issues queries to the soundbar. The soundbar will respond according to its current status.

Command Code	Function	Response Example
#QVM 23 51 56 4D 0D	Query verbose mode	"@ OK 0" verbose mode 0 "@ OK 1" verbose mode 1 "@ OK 2" verbose mode 2 "@ OK 3" verbose mode 3
#QPW 23 51 50 57 0D	Query power status	"@ OK ON" sound on "@ OK OFF" sound off
#QVR 23 51 56 52 0D	Query firmware version	"@ OK 0 xx" sound version 0 xx
#QVL 23 51 56 4C 0D	Query volume	"@ OK 0-32 " sound work vol xx "@ OK MUTE" sound mute
#QPL 23 51 50 4C 0D	Query playback status	"@ OK PLAY " Now Playing
#QRP 23 51 52 50 0D	Query Repeat Mode	"@ OK REPF "
#QSR 23 51 53 52 0D	Query Input Source	"@ OK AUX/ABT/CAO/OPT/ARC/HD1/HD2/STANDBY " Work Source xx
#QEQ 23 51 45 51 0D	Query preset EQ	"@ OK MUSI" "@ OK MOVI" "@ OK NEWS" "@ OK FLAT" Work EQ xx

## Advanced Commands

This group of commands instructs the soundbar to perform an advanced operation in a single step.

Command Code	Parameters	Function	Response Example
#SVM 23 53 56 4D X 0D	30 Close verbose mode 31 No Function 32 Updated when relevant parameters change 33 Update on time	Set verbose mode	"@ OK "
#SVL	0 – 32 MUTE	Set volume control e.g. #SVL 9 = VOL 9 23 53 56 4C 20 39 0D  e.g. #SVL MUT = MUTE 23 53 56 4C 20 4D 55 54 0D	OK 32 OK MUTE
#SRP	ALL CH OFF RND	Repeat all Repeat chapter Repeat off Random	OK RPTA OK RPT1 OK RPTF OK RPTR
#SSR 23 53 53 52 X 0D	41 55 58 Set Source AUX 42 54 Set Source BT 41 52 43 Set Source ARC 48 44 31 Set Source HDMI 1 48 44 32 Set Source HDMI 2	Set Input Source	"@ OK " SET Source OK
#SEQ 23 53 45 51 X 0D	4D 4F 56 Set EQ MOVIE 4D 55 53 Set EQ MUSIC 4E 45 57 Set EQ NEWS	Set EQ	"@ OK " SET EQ OK
#RST		Reset Command – Clean all command buffers, do not wait for any pending/ executing commands.  Start over again.	
#QVL 23 53 56 76 X 0D	See the table below for detailed volume Settings	Set volume	"@ OK " SET VOL OK

## Volume Commands

VOL (X)	hex
0-9	30-39
10	31 30
11	31 31
12	31 32
13	31 33
14	31 34
15	31 35
16	31 36
17	31 37
18	31 38
19	31 39
20	32 30
21	32 31
22	32 32
23	32 33
24	32 34
25	32 35
26	32 36
27	32 37
28	32 38
29	32 39
30	32 30
31	32 31
32	33 32
MUT	4D 55 54

## Status Update Messages:

The following status update messages are sent by the soundbar automatically when the verbose mode is set to 2 or 3.

### **UPW** - Power Status Update:

Sent when there is a change of power on/off status. Possible parameters: 2 chars

ON – Unit is turned on

OFF – Unit is going off

Example: UPW ON

### **USR** - Functional status update:

Send when the function is active. Possible parameters:3 chars

AUX –Auxiliary input

OPT – Optical input

COA – Coaxial input

ABT – Bluetooth input

ARC–HDMIARC input

Example: USR ABT

### **UPL** - Play status update

Send when there is a changes of play status. Possible parameters:4 chars

PLAY–Playback is starting

PAUS–Playback is paused

STOP – Playback is stopped

Example: UPL PLAY

### **URP** – Repeat playback status update

Send when there is a changes of repeat playback status. Possible parameters: 4 chars

RPTA – Repeat all

RPT1 – Repeat chapter

RPTF – Repeat off

RPTR – Random

Example: UPR RPTA

### **UVL** - Volume Level Update:

Sent when there is a change in volume level or mute status. Possible Parameters: 3 chars

MUT – Mute is engaged

000 .. 100 – Current volume level. (Also sent when mute is cancelled.)

Example: UVL 068

**UEQ** – Preset EQ status update

Sent when there is a changes of default EQ state Possible Parameters: 4 chars

MUSI – MUSIC EQ take effect

MOVI – MOVIE EQ take effect FLAT –

FLAT EQ take effect

NEWS – NEWS EQ take effect

GAME – GAME EQ take effect

Example: UEQ MUSI.

VISION 

# **SB-1900P AKTIVLAUTSPRECHER**

## **BEDIENUNGSANLEITUNG**



[www.visionaudiovisual.com/de/techaudio/sb-1900p/](http://www.visionaudiovisual.com/de/techaudio/sb-1900p/)

## KONFORMITÄTSERKLÄRUNG

Falls zutreffend sind Vision-Produkte zertifiziert und entsprechen allen bekannten lokalen Vorschriften der Normen für „CB-Zertifizierung“. Vision verpflichtet sich sicherzustellen, dass alle Produkte mit allen anwendbaren Zertifizierungsnormen für den Verkauf in der EU und anderen teilnehmenden Ländern in vollem Umfang übereinstimmen.

Das in dieser Bedienungsanleitung beschriebene Produkt erfüllt die Anforderungen von RoHS (EU-Richtlinie 2002/95/EC) und WEEE (EU-Richtlinie 2002/96/EC). Dieses Produkt ist nach Ende der Nutzungsdauer an die Verkaufsstelle oder zu einer anderen Sammelstelle zurückzubringen.

## WARNHINWEISE



**CAUTION**  
RISK OF ELECTRIC SHOCK  
DO NOT OPEN



### **VORSICHT: GEFAHR EINES STROMSCHLAGS NICHT ÖFFNEN**

VORSICHT: UM STROMSCHLÄGE ZU VERMEIDEN, GEHÄUSE (UND RÜCKSEITE) NICHT ÖFFNEN. ENTHÄLT KEINE VOM BENUTZER ZU WARTENDEN TEILE IM INNEREN DES GERÄTS. WARTUNG NUR DURCH QUALIFIZIERTES FACHPERSONAL DURCHFÜHREN LASSEN.



Der Blitz mit dem Pfeilkopf im gleichseitigen Dreieck soll den Benutzer auf „gefährliche Spannung“ durch nicht isolierte Teile im Gehäuseinneren hinweisen. Diese kann so groß sein, dass bei Stromschlag eine Gefahr für

Personen besteht.



Das Ausrufungszeichen im gleichseitigen Dreieck soll den Benutzer auf wichtige Bedienungs- und Wartungsanweisungen in der dem Gerät beiliegenden Bedienungsanleitung aufmerksam machen.

**WARNUNG: UM EINEN BRAND ODER EINEN STROMSCHLAG ZU VERMEIDEN, SETZEN SIE DAS GERÄT NIEMALS REGEN ODER FEUCHTIGKEIT AUS.**

Alle Produkte werden von Vision entwickelt und in die EU importiert. Vision ist eine 100%-ige Tochter der Azlan Logistics Ltd., eingetragen in England unter Nr. 04625566 mit Geschäftssitz Lion House, 4 Pioneer Business Park, Clifton Moor, York, YO30 4GH. WEEE-Registrierung: GD0046SY



## URSPRUNGSERKLÄRUNG

Alle Vision-Produkte werden in der Volksrepublik China (VR China) hergestellt.

## NUR ORTSÜBLICHE AC-STECKDOSEN VERWENDEN

Wenn das Gerät an eine Steckdose mit höherer Spannung angeschlossen wird, kann diese einen Brand verursachen.



## **NETZKABEL VORSICHTIG BEHADELN**

Den Stecker nicht durch Ziehen am Kabel trennen; immer am Stecker aus der Steckdose ziehen. Durch Ziehen am Kabel kann selbiges beschädigt werden. Wenn das Gerät für einen längeren Zeitraum nicht verwendet werden soll, die Stromverbindung trennen. Keine Möbel oder andere schwere Objekte auf das Kabel stellen und keine schweren Objekte darauf fallen lassen. Nicht verknoten. Dadurch kann das Kabel beschädigt werden und es besteht Brandgefahr durch Kurzschluss.

## **AUFSTELLORT**

Unter folgenden Bedingungen sollte das Produkt nicht verwendet werden:

- An feuchten oder nassen Orten
- An Orten mit direkter Sonneneinstrahlung oder in unmittelbarer Nähe von Heizquellen
- An extrem kalten Orten
- An Orten, an denen das Gerät übermäßigen Vibrationen oder Staub ausgesetzt ist
- An schlecht belüfteten Orten

Dieses Produkt darf nicht mit Wasser in Berührung kommen. KEINE FLÜSSIGKEITEN AUF ODER NEBEN DIESES PRODUKT STELLEN!

## **UMSETZEN DES PRODUKTS**

Bevor Sie den Standort des Produkts ändern, den Stecker aus der Steckdose ziehen und die Verbindungskabel zu anderen Geräten trennen.

## **WARNZEICHEN**

Wenn Sie einen ungewöhnlichen Geruch oder Rauch wahrnehmen, das Produkt sofort ausschalten und das Netzkabel aus der Steckdose ziehen. Wenden Sie sich an Ihren Händler oder an Vision.

## **VERPACKUNG**

Heben Sie das gesamte Verpackungsmaterial auf. Dies ist für den Versand des Geräts im Reparaturfall erforderlich.

WENN DAS PRODUKT NICHT IN DER ORIGINALVERPACKUNG AN DAS KUNDENDIENSTZENTRUM GESCHICKT WIRD, BESTEHT KEINE GEWÄHRLEISTUNG FÜR TRANSPORTSCHÄDEN.

## **WATT**

Die genauesten Standards zum Messen von Wattzahlen sind „Program Power“ und „RMS“ (Effektivwert), weil hierbei der durchschnittlich erreichte Pegel gemessen wird.

Bei Lautsprechern mit integrierten Verstärkern ist die Last (Widerstand, gemessen in Ohm) bekannt, wodurch die Nennleistung festgelegt ist.

## **BESONDERER WARNHINWEIS**

Verwenden Sie dieses Produkt niemals in der Nähe eines Flugzeugs oder einer medizinischen Einrichtung. Dies kann zu Interferenzen führen.

Die Verwendung des Produkts in den folgenden Umgebungen bzw. Situationen kann zu Störungen bei der Ausgabe von Audio und Video führen:

- Installation des Produkts in Betonwänden
- Platzierung des Produkts in der Nähe von Kühlschränken, Mikrowellenherden oder sonstigen metallenen Gegenständen
- Vollgestellte Räume, in denen das kabellose Signal blockiert werden könnte

Dieses Produkt wurde so geprüft und gefertigt, dass es den Sicherheitsbestimmungen der jeweiligen Länder entspricht. Es kann jedoch keine Gewährleistung dafür übernommen werden, dass es unter bestimmten Umständen nicht doch zum Auftreten von Interferenzen kommt. Passen Sie beim Auftreten von Interferenzen die Entfernung zwischen Sender und Empfänger an.

## **ERKLÄRUNG DER „FEDERAL COMMUNICATIONS COMMISSION“ (FCC) ZU INTERFERENZEN**

Dieses Gerät wurde getestet und hält die Grenzwerte für ein digitales Gerät der Klasse B gemäß Abschnitt 15 der FCC-Vorschriften ein. Durch dieses Gerät werden Hochfrequenzwellen erzeugt, verwendet und ausgestrahlt. In extremen Fällen kann dies zu schweren Störungen der Funk- und Radiokommunikation führen. Gehen Sie in einem solchen Fall wie folgt vor:

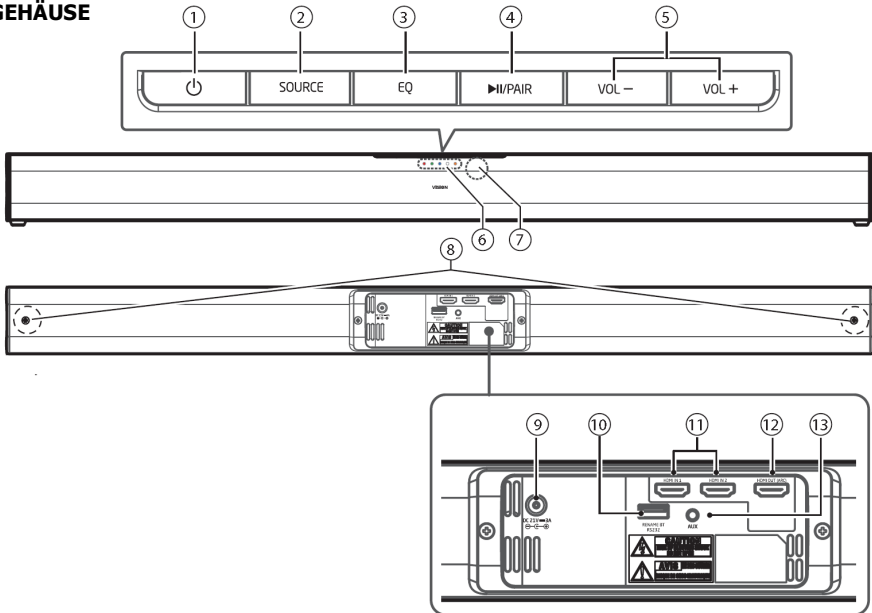
- Setzen Sie die Empfangsantenne um.
- Vergrößern Sie den Abstand zwischen dem Gerät und dem Empfänger.
- Schließen Sie das Gerät an einen anderen Stromkreis an.

## **ERKLÄRUNG ZUR STRAHLENBELASTUNG:**

Dieses Gerät entspricht den Grenzwerten für Strahlenbelastung nach IC (Industry Canada), die für eine unkontrollierte Umgebung festgelegt wurden. Dieses Gerät sollte so installiert und betrieben werden, dass ein Mindestabstand von 20 cm zwischen dem Gerät und Ihrem Körper gewährleistet ist.

## TECHNISCHE DATEN

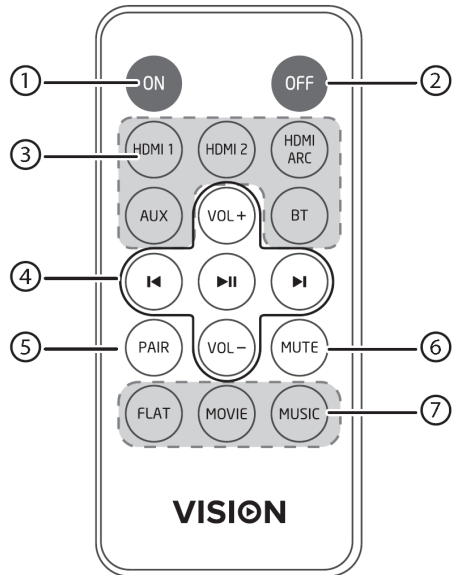
### GEHÄUSE



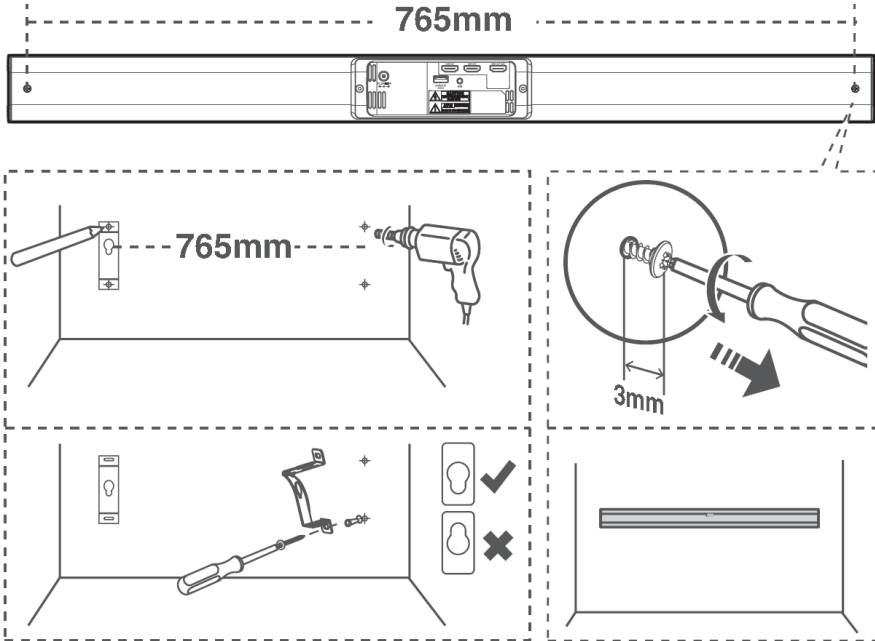
1. Taste für Ruhemodus
2. QUELLEN-Taste
3. EQ-Entzerrer-Taste
4. WIEDERGABE-/KOPPLUNG-Taste
  - Spielen Sie Inhalte auf Bluetooth-Quellgeräten ab oder halten Sie die Wiedergabe an.
  - Halten Sie den aktiven Kopplungsmodus gedrückt und trennen Sie vorhandene gekoppelte Geräte.
5. Tasten für VOL+/VOL-. Wenn eine BT-Quelle gekoppelt ist, lässt sich die Lautstärke der Lautsprecherleiste über die Lautstärketasten einstellen. Außerdem kann die Lautstärke unabhängig angepasst werden.
6. LED-Kontrollleuchten an der Vorderseite
  - Rot RUHEMODUS
  - Grün AUX
  - Blau Bluetooth
  - Weiß HDMI 1
  - Weiß blinkend HDMI 2
  - Orange HDMI ARC
7. Empfänger der IR-Fernbedienung
8. Schrauben für Wandhalterung
9. Netzsteckdose
10. USB-A-Buchse zum Ändern von BT-Name und PIN und für RS-232 Steuerung
11. HDMI 1- und 2-Eingänge
12. HDMI OUT ARC
13. 3,5-mm-AUX-Buchse für Miniklinkeneingang

## FERNBEDIENUNG

1. Ein
2. Aus
3. Eingangswahl
4. VOL Lautstärke erhöhen/senken  
PLAY Wiedergabe im BT-Modus, steuert das Quellgerät
5. PAIR aktiviert den Kopplungsmodus und trennt das vorhandene gekoppelte Gerät.
6. Stummschaltung
7. EQ-Entzerrer-Tasten



## INSTALLATION



## AUTOMATISCHER RUHEMODUS

Dieses Produkt verfügt über Auto-Standby und erfüllt ErP (2009/125/EG Richtlinie zur Reduzierung des Energieverbrauchs).

- Die Abschaltung erfolgt nach 15 Minuten.
- Wenn ein Signal wahrgenommen wird, schaltet es sich automatisch ein.
- Dies beruht auf der Eingangsempfindlichkeit. Stellen Sie sicher, dass die Lautstärke auf dem Quellgerät hoch ist.

## DEAKTIVIEREN

STANDBY wählen, dann die Taste V+ gedrückt halten, bis die blaue Leuchte blinkt. Die blaue LED blinkt nur einmal langsam.

Wiederholen Sie den Vorgang zum Aktivieren. Die blaue LED blinkt dreimal schnell.

## AUS- UND WIEDER EINSCHALTEN

Wenn die Stromversorgung aus- und wieder eingeschaltet wird, kehrt dieses Produkt automatisch zu den vorherigen Einstellungen zurück.

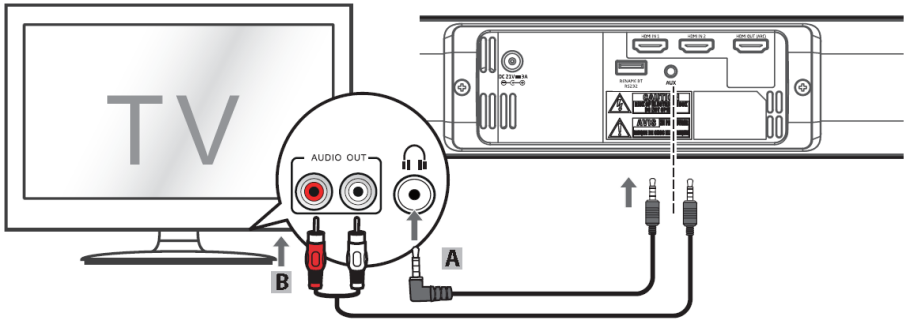
## EQ

Durch Drücken dieser Taste wird gewechselt zwischen:

- Musik
- Film
- Sprache

## MINIKLINKENEINGANG (KOPFHÖRERBUCHSE)

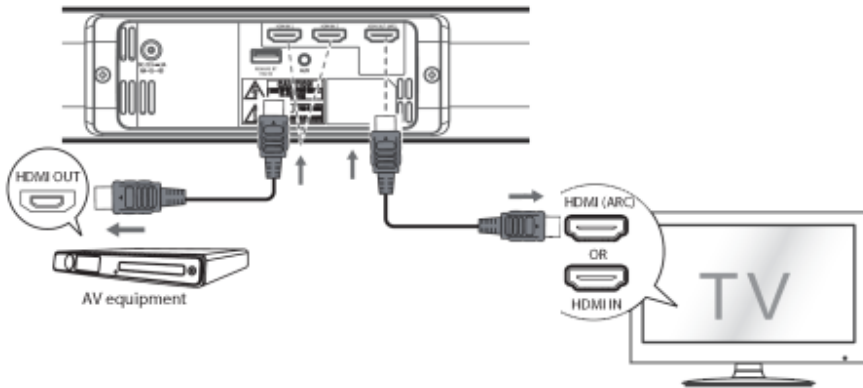
Verbinden Sie das Quellgerät wie dargestellt (Kabel nicht im Lieferumfang)



Wie in der Abbildung zu sehen ist, kann die Fernbedienung des Fernsehers zum Einstellen der Lautstärke genutzt werden. Hinweis: Nicht alle Fernseher sind mit einer Kopfhörerbuchse ausgestattet.

## HDMI-EINGÄNGE

Verbinden Sie das Quellgerät wie dargestellt (Kabel nicht im Lieferumfang)



## HDMI ARC (Audio-Rückkanal) EINGANG

Verbinden Sie den ARC-**EINGANG** am SB-1900P mit dem ARC-**AUSGANG** am Display.  
Die Lautsprecher des Displays funktionieren nicht mehr.  
Die Fernbedienung des Displays steuert jetzt den Eingang der Lautsprecherleiste.

Hinweis: Nicht alle Displays haben einen ARC Ausgang und eventuell müssen Sie ihn im Menü aktivieren.

## HDMI-STANDARDEINGÄNGE

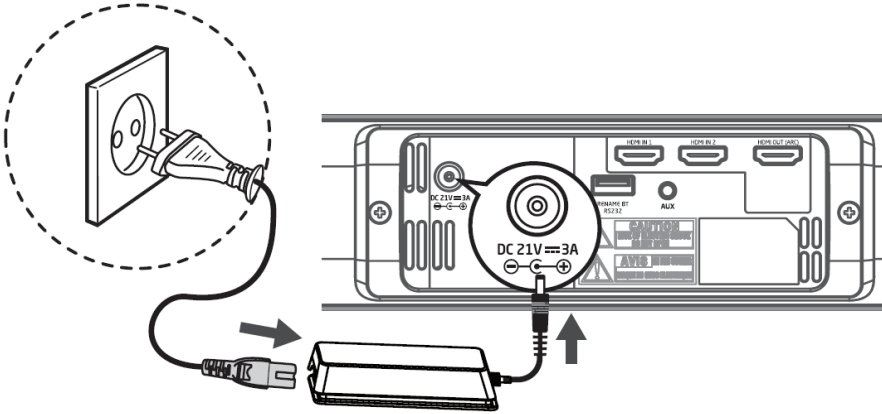
Verbinden Sie die Quelle/n mit Input 1 und 2.  
Verbinden Sie den HDMI-Ausgang am SB-1900P mit dem normalen HDMI-Eingang am Displays.

Hinweis: Wenn kein Ton zu hören ist und die Statusleuchte schnell blinkt, müssen Sie möglicherweise den PCM-Signalausgang an Ihrem Quellgerät aktivieren.

## STROM ANSCHLIESSEN

Richten Sie alle anderen Verbindungen ein, bevor Sie das Gerät an den Strom anschließen.

Wickeln Sie das Netzkabel vollständig ab. Verbinden Sie das andere Ende des Netzkabels mit der Buchse an der Rückseite der Lautsprecherleiste und stecken Sie dann den Stecker in die Steckdose.





## BLUETOOTH-EINGANG

Wenn Sie das erste Mal eine Verbindung herstellen, müssen Sie Ihr Gerät koppeln. In diesem Beispiel werden wir ein Telefon koppeln.

1. DRÜCKEN SIE AUF SOURCE, UM DEN BT-EINGANG ZU AKTIVIEREN; die blaue LED blinkt dann.
2. GEHEN SIE AUF DEM TELEFON ZU EINSTELLUNGEN/BLUETOOTH; Sie werden die SB-1900P in der Liste sehen. Wenn dies nicht der Fall ist, ist sie möglicherweise bereits mit einem anderen Gerät gekoppelt (die blaue LED hört auf zu blinken). Drücken Sie die Taste PAIR auf der Fernbedienung oder halten Sie die Taste PAIR auf den Lautsprecher gedrückt, bis die blaue LED zu blinken beginnt.
3. GEBEN DIE DAS KENNWORT **0000** (viermal Null) EIN. Nach der Kopplung leuchtet die blaue LED dauerhaft.

### Anmerkungen:

- Der Betriebsbereich beträgt etwa 8 Meter.
- Wenn die Signalstärke schwach ist und die Verbindung unterbrochen wurde, kehrt die Lautsprecherleiste in den Kopplungsmodus zurück.
- Dieses Produkt nutzt Bluetooth Version 4.2. Es kann nicht garantiert werden, dass das Produkt mit allen Quellgeräten funktioniert.
- Dieses Gerät kann jeweils nur mit einer Quelle gekoppelt werden.
- Wenn innerhalb von 2 Minuten kein Quellgerät gekoppelt wird, kehrt es zur vorherigen Quelle zurück.
- Dieses Gerät unterstützt A2DP (Advanced Audio Distribution Profile) und AVRCP (Audio Video Remote Control Profile).

## BLUETOOTH UMBENENNEN

1. Erstellen Sie auf dem PC eine reine Textdatei mit dem Namen **ubt\_cfg.txt** und legen Sie sie im Stammverzeichnis eines USB-Sticks ab.



2. Öffnen Sie die Datei und kopieren Sie diesen Inhalt hinein:

A screenshot of a text editor window titled 'ubt\_cfg.txt'. The window has a menu bar with 'File', 'Edit', 'Format', 'Options', and 'Help'. The main text area contains the following configuration settings:

```
RS UDISK FOR CONFIG SETTING:  
BT_NAME:SB-1900P_1822 Room  
PIN_CODE:5678  
#
```

Hinweis: Nur der rote Text kann bearbeitet werden. Die maximale Länge beträgt 32 Zeichen. Wenn die PIN leer bleibt oder ein alphabetisches Zeichen verwendet wird, wird das als keine PIN betrachtet.

3. Trennen Sie die Lautsprecherleiste von der Stromversorgung.
4. Halten Sie die EQ-Taste gedrückt.
5. Schließen Sie das Gerät wieder an die Stromversorgung an. Alle Quellen-LEDs blinken 2 Mal, um den Modus BT umbenennen anzuzeigen.
6. Verbinden Sie den USB-Stick. Der Name wird automatisch aktualisiert. Um die Aktualisierung des **Namens** zu bestätigen, blinkt die BT-Eingangs-LED **1 Mal** langsam. Um die Aktualisierung von **Name und PIN** zu bestätigen, blinkt die BT-Eingangs-LED **3 Mal**.

## RS-232

RS-232 wird über den USB-Anschluss bereitgestellt.

Verwenden Sie den im Lieferumfang enthaltenen USB-zu-RS-232-Adapter. Andere USB-zu-RS-232-Adapter funktionieren möglicherweise nicht.

Die Pin-Belegung ist wie folgt:

Pin	2	3	5
Signal	TXD	RXD	GND

Diese Pin-Konfiguration ermöglicht einem PC mit einem seriellen Terminal-Programm (z. B. Hyper Terminal) die Kommunikation mit der Lautsprecherleiste über ein 9-poliges serielles DB9 RS-232 Straight-Through-Kabel.

Verwenden Sie für die Verbindung mit dem PC kein Kabel vom Typ „Null-Modem“.

Kommunikationseinstellungen:

Baudrate	Datenbits	Parität	Stop-Bit	Durchflussregelung
19200	8	Keine	1	Keine

### Befehlsstruktur:

Jeder Befehl beginnt mit einem #-Zeichen (ASCII 0x23), gefolgt von einem Befehlscode aus 3 Zeichen.

Falls es Parameter für den Befehl gibt, werden die Parameter im Textformat angegeben, vom Befehlscode durch ein **Leerzeichen** (ASCII 0x20) getrennt.

Das #-Zeichen darf unter keinen Umständen in den Parametern enthalten sein.

Ein Zeilenumbruch (ASCII 0x0d) zeigt das Ende des Befehls an.

Ein Zeilenvorschub (ASCII 0x0a) kann optional auf den Zeilenumbruch folgen und wird ignoriert.

Jeder Befehl darf in der Regel 20 Byte nicht übersteigen, inklusive der Bytes am Anfang und am Ende des Befehls.

Die Befehlsstruktur lässt sich wie folgt darstellen:

<Befehl> = <Anfang des Befehls><Befehlscode>[<sp><Parameter>]<Ende des Befehls>

<Anfang des Befehls> = #, ASCII 0x23

<Befehlscode> = <byte><byte><byte>

<sp> = Leerzeichen, ASCII 0x20

<Parameter> = befehlspezifisch

<Ende des Befehls> = CR, ASCII 0x0d LF, ASCII 0x0a

## Antwortstruktur:

Wenn Sie Lautsprecherleiste einen Befehl empfängt, führt sie den Befehl aus und sendet eine Antwort zurück.

- Die Antwort beginnt mit einem „@“-Zeichen (ASCII 0x23), gefolgt von dem ursprünglichen Befehlscode und einem Leerzeichen (ASCII 0x20) und einem Ergebniscode, entweder „OK“ oder „ER“.
- Falls es Parameter oder zusätzliche Meldungen gibt, sind die Parameter oder Meldungen im Textformat angegeben, durch ein Leerzeichen (ASCII 0x20) vom Ergebniscode getrennt.
- Das „@“-Zeichen (ASCII 0x40) darf unter keinen Umständen in den Parameter oder der Meldung enthalten sein.
- Ein Zeilenumbruch (ASCII 0x0d) gibt das Ende der Antwort an. Jede Antwort darf in der Regel 25 Bytes nicht übersteigen, inklusive der Bytes am Anfang und am Ende der Antwort.
- Die Antwortstruktur lässt sich wie folgt darstellen:

<Antwort> = <Anfang der Antwort><Befehlscode><sp><Ergebniscode>[<sp><Parameter>]<Ende der Antwort>

<Anfang der Antwort> = @, ASCII 0x40

<Befehlscode> = <byte><byte><byte>

<Ergebniscode> = OK|ER

<sp> = Leerzeichen, ASCII 0x20

<Parameter> = befehlspezifisch

<Ende der Antwort> = CR, ASCII 0x0d

## Struktur der Status-Update-Meldungen:

Wenn der ausführliche Modus auf 2 oder 3 festgelegt ist, sendet die Lautsprecherleiste Status-Update-Meldungen automatisch. Diese Meldungen sind keine Antwort auf einen bestimmten Befehl. Alle Statusänderungen, die von Befehlen der RS232-Steuerung, den Tasten an der Vorderseite, der IR-Fernbedienung oder des Wiedergabeprozesses hervorgerufen werden, können Status-Update-Meldungen auslösen.

Die Status-Update-Meldungen haben die folgende Struktur:

<Update> = <Anfang des Updates><Statuscode>[<sp><Parameter>]<Ende des Updates>

<Anfang des Updates> = @, ASCII 0x40

<Statuscode> = <byte><byte><byte>

<sp> = Leerzeichen, ASCII 0x20

<Parameter> = status-specific

<Ende der Antwort> = CR, ASCII 0x0d

## Befehlssequenz:

Befehle werden in der Reihenfolge ausgeführt, in der sie empfangen werden. Der Steuerungs-Client sollte auf eine Antwort von der Lautsprecherleiste warten, bevor er den nächsten Befehl sendet.

Wenn die Lautsprecherleiste einen neuen Befehl empfängt, bevor der vorherige Befehl ausgeführt wurde, kann die Lautsprecherleiste die Befehle in der entsprechenden Reihenfolge ausführen oder den vorherigen Befehl ignorieren, je nach interner Verarbeitung der Lautsprecherleiste. Der Steuerungs-Client sollte vermeiden, mehrere Befehle nacheinander zu senden, ohne auf eine Antwort zu warten.

Wenn der Host 10 Sekunden nach Ausgabe des Befehls keine Antwort von der Lautsprecherleiste empfängt, kann der Host davon ausgehen, dass der Befehl oder die Antwort während der Übertragung verloren gegangen ist, und kann den Befehl erneut senden.

## A. Befehle der Fernbedienung

Befehle, die Tasten auf der Fernbedienung zugewiesen sind

Für diese Befehle sind keine Parameter erforderlich. Die Lautsprecherleiste verarbeitet die Befehle so, als würde sie dieselben Befehle von der IR-Fernbedienung empfangen.

Befehlscode	Taste auf Fernbedienung	Funktion	Antwortbeispiel
#POW 23 50 4F 57 0D	POWER	Wechseln zwischen RUHEMODUS und EIN	"@ OK ON/OFF" ON Hochfahren OFF Ausschalten
#PON 23 50 4F 4E 0D	ON	Diskret ein	"@ OK ON" ON Hochfahren
#POF 23 50 4F 46 0D	OFF	Diskret aus	"@ OK OFF" OFF Ausschalten
#VUP 23 56 55 50 0D	VOL +	Lautstärke erhöhen	"@ OK xx" STE VOL xx
#VDN 23 56 44 4E 0D	VOL -	Lautstärke verringern	"@ OK xx" STE VOL xx
#MUT 23 4D 55 54 0D	MUTE	Audio stummschalten	"@ OK MUT" STE MUTE
#SRC 23 53 52 43 0D	SOURCE	Funktion wechseln	"@ OK AUX/ABT/CAO/OPT/ARC/HD1/HD2/STANDBY" STE SOURCE xxx
#NEQ 23 4E 45 51 0D	EQ	Voreingestellten EQ wechseln	"@ OK MUST" "@ OK MOVI" "@ OK NEWS" "@ OK FLAT" STE EQ xxx
#PLA 23 50 4C 41 0D	PLAY	Wiedergabe starten	"@ OK" MUSIC PLAY
#PRE 23 50 52 45 0D	PREV	Zurück springen	"@ OK"
#NXT 23 4E 58 54 0D	NEXT	Vorwärts springen	"@ OK"
#PAR 23 50 41 52 0D	PAIR	BT Kopplung	"@ OK"

## Eingabebefehle

Hinweis von September 2019: möglicherweise ist ein Firmware-Upgrade erforderlich, damit diese Codes funktionieren

#SSR AUX	23 53 53 52 20 41 55 58 0D	AUX
#SSR BT	23 53 53 52 20 42 54 0D	BT
#SSR ARC	23 53 53 52 20 41 52 43 0D	ARC
#SSR HD1	23 53 53 52 20 48 44 31 0D	HDMI1
#SSR HD2	23 53 53 52 20 48 44 32 0D	HDMI2
#SEQ MOV	23 53 45 51 20 4D 4F 56 0D	MOVIE
#SEQ MUS	23 53 45 51 20 4D 55 53 0D	MUSIC
#SEQ NEW	23 53 45 51 20 4E 45 57 0D	NEWS

## B. Abfragebefehle

Diese Befehlsgruppe stellt Abfragen an die Lautsprecherleiste. Die Lautsprecherleiste antwortet mit ihrem aktuellen Status.

Befehlscode	Funktion	Antwortbeispiel
#QVM 23 51 56 4D 0D	Abfrage ausführlicher Modus	"@ OK 0" ausführlicher Modus 0 "@ OK 1" ausführlicher Modus 1 "@ OK 2" ausführlicher Modus 2 "@ OK 3" ausführlicher Modus 3
#QPW 23 51 50 57 0D	Abfrage Betriebszustand	"@ OK ON" Ton ein "@ OK OFF" Ton aus
#QVR 23 51 56 52 0D	Abfrage Firmware-Version	"@ OK 0 xx" Version 0 xx
#QVL 23 51 56 4C 0D	Abfrage Lautstärke	"@ OK 0-32 " Ton ein Lautstärke xx "@ OK MUTE" Ton stummgeschaltet
#QPL 23 51 50 4C 0D	Abfrage Wiedergabestatus	"@ OK PLAY " Aktuelle Wiedergabe
#QRP 23 51 52 50 0D	Abfrage Wiederholungsmodus	"@ OK REPF "
#QSR 23 51 53 52 0D	Abfrage Eingabequelle	"@ OK AUX/ABT/CAO/OPT/ARC/HD1/HD2/STANDBY " Quelle xx in Betrieb
#QEQ 23 51 45 51 0D	Abfrage voreingestellter EQ	"@ OK MUST" "@ OK MOVI" "@ OK NEWS" "@ OK FLAT" Betrieb EQ xx



### C. Erweiterte Befehle

Diese Befehlsgruppe weist die Lautsprecherleiste an, eine erweiterte Funktion in einem einzigen Schritt auszuführen.

Befehlscode	Parameter	Funktion	Antwortbeispiel
#SVM 23 53 56 4D X 0D	30 ausführlichen Modus schließen 31 keine Funktion 32 Aktualisierung bei Änderung relevanter Parameter 33 Zeitabhängige Aktualisierung	Ausführlichen Modus einstellen	"@ OK "
#SVL	0 – 32 MUTE	Lautstärke einstellen z. B. #SVL 9 = LAUTSTÄRKE 9 23 53 56 4C 20 39 0D  z. B. #SVL MUT = STUMMSCHALTUNG 23 53 56 4C 20 4D 55 54 0D	OK 32 OK MUTE
#SRP	ALL CH OFF RND	Alle wiederholen Kapitel wiederholen Wiederholen aus Zufallswieder gabe	OK RPTA OK RPT1 OK RPTF OK RPTR
#SSR 23 53 53 52 X 0D	41 55 58 Set Source AUX 42 54 Set Source BT 41 52 43 Set Source ARC 48 44 31 Set Source HDMI 1 48 44 32 Set Source HDMI 2	Quelle für Eingangssignal einstellen	"@ OK " SET Quelle OK
#SEQ 23 53 45 51 X 0D	4D 4F 56 EQ MOVIE einstellen 4D 55 53 EQ MUSIC einstellen 4E 45 57 EQ NEWS einstellen	EQ einstellen	"@ OK " SET EQ OK
#RST		Befehl Zurücksetzen – Alle Befehlspeicher löschen, nicht auf anstehende/auszuführende Befehle warten.	

		Erneut starten.	
#QVL 23 53 56 76 X 0D	Detaillierte Lautstärkeinstellungen siehe nachstehende Tabelle	Lautstärke einstellen	"@ OK " SET VOL OK

## Lautstärkebefehle

VOL (X)	hex
0-9	30-39
10	31 30
11	31 31
12	31 32
13	31 33
14	31 34
15	31 35
16	31 36
17	31 37
18	31 38
19	31 39
20	32 30
21	32 31
22	32 32
23	32 33
24	32 34
25	32 35
26	32 36
27	32 37
28	32 38
29	32 39
30	32 30
31	32 31
32	33 32
MUT	4D 55 54

## Status-Update-Meldungen:

Die folgenden Status-Update-Meldungen werden automatisch von der Lautsprecherleiste gesendet, wenn der ausführliche Modus auf 2 oder 3 festgelegt ist.

### **UPW** - Ein-/Aus-Status-Update:

Wird gesendet, wenn sich der Ein-/Aus-Status ändert. Mögliche Parameter: 2 Zeichen

ON – Gerät ist eingeschaltet

OFF – Gerät ist ausgeschaltet

Beispiel: UPW ON

### **USR** - Funktionsstatus-Update:

Wird gesendet, wenn die Funktion aktiv ist. Mögliche Parameter: 3 Zeichen

AUX – Aux-Eingang

OPT – Optischer Eingang

COA – Koaxial-Eingang

ABT – Bluetooth-Eingang

ARC – HDMI ARC-Eingang

Beispiel: USR ABT

### **UPL** - Wiedergabestatus-Update

Wird gesendet, wenn es eine Änderung des Wiedergabestatus gibt. Mögliche Parameter: 4 Zeichen

PLAY – Wiedergabe wird gestartet

PAUS – Wiedergabe wird angehalten

STOP – Wiedergabe wird beendet

Beispiel: UPL PLAY

### **URP** – Status-Update für Wiedergabe wiederholen

Wird gesendet, wenn es eine Veränderung des Status für Wiedergabe wiederholen gibt. Mögliche Parameter: 4 Zeichen

RPTA – Alle wiederholen

RPT1 – Kapitel wiederholen

RPTF – Wiederholen aus

RPTR – Zufallswiedergabe

Beispiel: UPR RPTA

### **UVL** - Lautstärke-Update

Wird gesendet, wenn es eine Veränderung des Lautstärke- oder Stummschaltungsstatus gibt. Mögliche Parameter: 3 Zeichen

MUT – Stummschaltung ist aktiviert

000 .. 100 – Aktuelle Lautstärke. (Wird auch gesendet, wenn Stummschaltung abgebrochen wird.) Beispiel: UVL 068

**UEQ** – Status-Update für voreingestellten EQ

Wird gesendet, wenn sich der standardmäßige EQ-Status ändert. Mögliche

Parameter: 4 Zeichen

MUSI – MUSIC EQ aktiviert

MOVI – MOVIE EQ aktiviert

FLAT – FLAT EQ aktiviert

NEWS – NEWS EQ aktiviert

GAME – GAME EQ aktiviert

Beispiel: UEQ MUSI.

VISION 

# **SB-1900P POWERED SPEAKERS**

## **BRUGERMANUAL**



[www.visionaudiovisual.com/da/techaudio/sb-1900p/](http://www.visionaudiovisual.com/da/techaudio/sb-1900p/)

## KONFORMITETSERKLÆRING

Når relevant, er Vision-produkter certificerede og overholder alle kendte lokale regulativer iht. "CB-certificering"-standarden. Vision forpligter sig til at sikre, at alle produkter opfylder alle relevante certificeringsstandarder for salg i EU og andre deltagende lande.

Produktet beskrevet i denne brugermanual opfylder standarderne RoHS (EU-direktiv 2002/95/EF) og WEEE (EU-direktiv 2002/96/EF). Dette produkt bør returneres til salgsstedet efter afsluttet produktlevetid med henblik på genanvendelse.

## ADVARSLER



### FORSIGTIG: RISIKO FOR ELEKTRISK STØD MÅ IKKE ÅBNES

ADVARSEL: FOR AT REDUCERE RISIKOEN FOR ELEKTRISK STØD MÅ DÆKSLET IKKE FJERNES (ELLER BAGBEKLÆDNINGEN). DER ER INGEN DELE INDENI DER KAN VEDLIGEHOLDES AF BRUGEREN. VEDLIGEHOLDELSE SKAL UDFØRES AF KVALIFICERET SERVICEPERSONALE.



Lynet med pilehovedsymbolet indeni en ligesidet trekant, skal advare brugeren om tilstedeværelsen af ikke-isoleret "farlig spænding" inden i produktets afskærmning, som kan være tilstrækkelig stærk til at udgøre en

risiko for, at personer kan få elektrisk stød.



Udråbstegnet indeni en ligesidet trekant, skal advare brugeren om tilstedeværelsen af vigtige driftsrelaterede og vedligeholdelsesinstruktioner (servicering) i manualen, som følger med apparatet.

ADVARSEL: FOR AT REDUCERE RISIKOEN FOR BRAND ELLER ELEKTRISK STØD, MÅ DETTE APPARAT IKKE UDSÆTTES FOR REGN ELLER FUGT.

Alle produkter er designet og importeret ind i EU af 'Vision' som fuldt ud ejes af 'Azlan Logistics Ltd.', registreret i England nr. 04625566 i Lion House Pioneer Business Park Clifton Moor York YO30 4GH, Storbritannien WEEE-registrering: GD0046SY



## OPRINDELSESERKLÆRING

Alle Vision-produkter er fremstillet i den Kinesiske Folkerepublik.

## ANVEND KUN ALMINDELIGE HUSHOLDNINGSSTIKKONTAKTER

Der kan opstå brandfare, hvis enheden forbindes med en stikkontakt med højere spænding.

## HÅNDTER STRØMLEDNINGEN FORSIGTIGT

Træk ikke stikket ud af stikkontakten ved at trække i ledningen; træk altid i selve stikket. Det kan beskadige ledningen, hvis du trækker i den. Hvis enheden ikke skal anvendes i et længere tidsrum, skal du koble den fra strømforsyningen. Anbring ikke møbler eller tunge genstande på ledningen, og forsøg at undgå at tabe tunge genstande på den. Der må ikke bindes knude på ledningen. Dels kan ledningen blive beskadiget, og dels kan der opstå en kortslutning, som kan udgøre en risiko for brand.

### **INSTALLATIONSSTED**

Undgå at installere dette produkt på følgende steder:

- Våde eller fugtige steder
- Steder der er udsat for direkte sollys eller i nærheden af varmeudstyr
- Ekstremt kolde steder
- Steder der er udsat for megen vibration eller støv
- Steder med dårlig ventilation

Udsæt ikke dette produkt for vandstænk o.l. **ANBRING IKKE GENSTANDE FYLDT MED VÆSKE PÅ ELLER I NÆRHEDEN AF DETTE PRODUKT!**

### **SÅDAN FLYTTES ENHEDEN**

Inden du flytter enheden, skal du trække stikket ud af stikkontakten og frakoble kabler der er koblet til andre enheder.

### **ADVARSELSTEGN**

Hvis du opfatter en underlig lugt eller røg, skal du med samme slukke for produktet og koble strømmen fra. Kontakt din genforhandler eller Vision.

### **EMBALLAGE**

Gem al emballage. Dette er nødvendigt, hvis enheden skal sendes i forbindelse med reparationer.

**HVIS DEN ORIGINALE EMBALLAGE IKKE ANVENDES TIL AT RETURNERE ENHEDEN TIL SERVICECENTRET, DÆKKET SKADER OPSTÅET VED TRANSPORTEN IKKE AF GARANTIEN.**

### **WATT**

Den mest konsekvente standarder til måling af watt er "Program Power" og "RMS" da de måler gennemsnitlige vedvarende niveauer.

Når højtalere har indbyggede forstærkere, er belastningen (modstand, målt i ohm) kendt, hvilket betyder, at wattnormeringen er fast.



## **SÆRLIGE ADVARSLER**

Dette produkt må aldrig bruges i nærheden af et luftfartøj eller lægefacilitet. Det kan forvolde interferens.

Brug af produktet på følgende steder kan medføre i unormal video- og lydudgang:

- Produkt installeret i vægge fremstillet af beton
- Produkt placeret i nærheden af et køleskab. Mikrobølgeovn eller andre metalgenstande
- Et overfyldt lokale, hvor de trådløse signaler kan være blokeret

Dette produkt er blevet testet og fremstillet, så det overholder hvert lands sikkerhedsregler. Der er dog ingen garanti for, at der ikke vil opstå interferens i nogle scenarier. Hvis der opstår interferens, skal afstanden mellem sender og modtager justeres.

## **FEDERAL COMMUNICATIONS COMMISSION'S ERKLÆRING OM INTERFERENS**

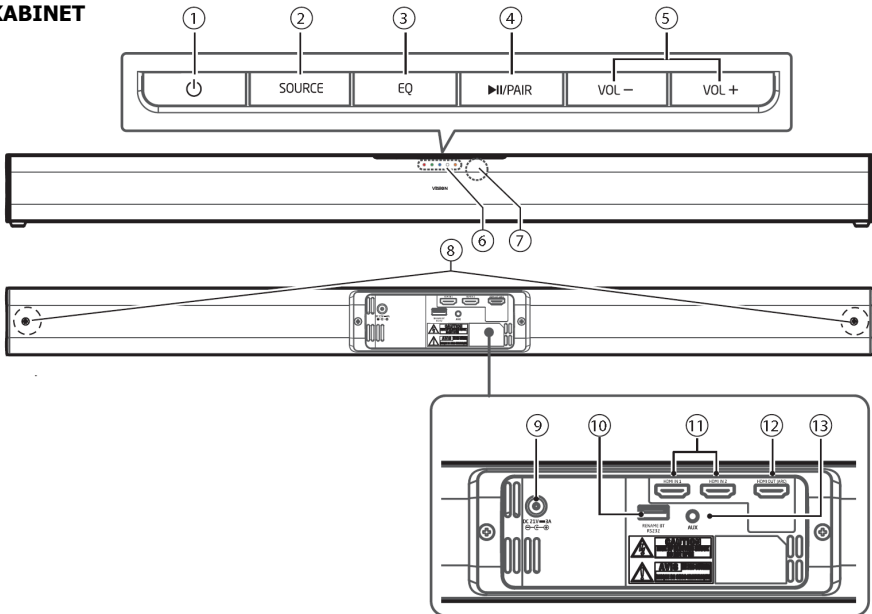
Dette udstyr er blevet testet og konstateret at overholde grænserne for en digital enhed i Klasse B, ifølge Del 15 i FCC-reglerne. Dette udstyr genererer, bruger og kan udstråle radiofrekvensenergi og kan i ekstreme tilfælde forårsage skadelig interferens på radiokommunikation. Hvis det sker, skal brugeren forsøge at:

- Flytte modtagerantennen
- Øge afstanden mellem udstyret og modtageren
- Forbinde udstyret til et andet strømkredsløb.

## **ERKLÆRING OM STRÅLINGSEKSPONERING:**

Dette udstyr overholder IC-grænser for strålingseksponering fremsat for et ukontrolleret miljø. Dette udstyr skal installeres og bruges med en minimumsafstand på 20 cm mellem radiatoren og din krop.

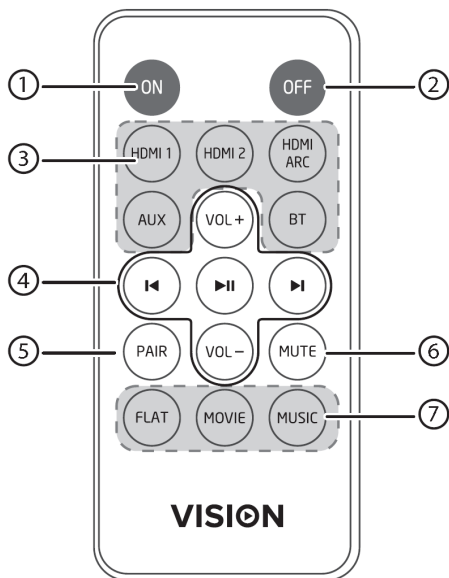
## KABINET



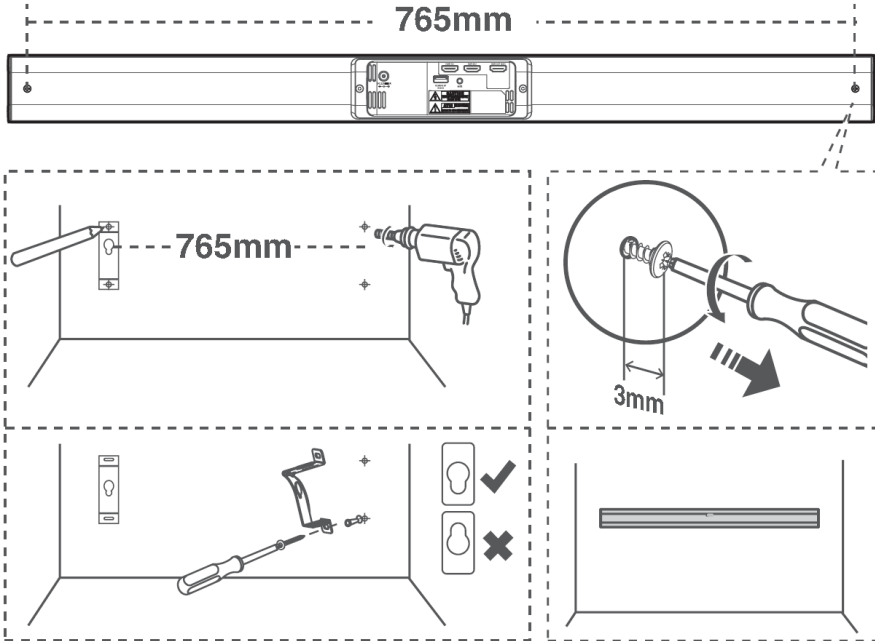
1. Knappen Standby
2. Knappen SOURCE (kilde)
3. Knappen EQ Equaliser
4. Knappen PLAY/PAIR (afspil/par)
  - Afspil indhold, eller sæt indhold på pause på Bluetooth-kildeenhed.
  - Tryk og hold nede for at aktivere parringsfunktion og fjerne eksisterende parret enhed.
5. Knapperne VOL+/VOL-. Hvis en BT-kilde er parret og aktiv, kan volumenknapperne justere soundbarens lydstyrkeniveau. Enhedens lydstyrkeniveau kan også justeres uafhængigt.
6. LED-indikatorer foran
  - **Rød** STANDBY
  - **Grøn** AUX
  - **Blå** Bluetooth
  - Hvid HDMI 1
  - Blinker hvid HDMI 2
  - **Orange** HDMI ARC
7. IR-fjernmodtager
8. Skruer til vægbeslag
9. Jævnstrømsstik
10. USB-A-stik til ændring af BT-navn og pin-kode, og RS-232-kontrol
11. HDMI 1- og 2-indgange
12. HDMI UD ARC
13. AUX 3,5 mm Mini-jack-indgangsstik

## FJERNBETJENING

1. Tændt
2. Slukket
3. Indgangsvalg
4. Lydstyrke op og ned  
PLAY, hvis i BT-tilstand, styrer kildeenheden
5. PAIR aktiverer parringsfunktion og fjerner eksisterende parret enhed.
6. Lydløs
7. Knapperne EQ Equaliser



## INSTALLATION



## AUTO STANDBY

Dette produkt har automatisk standby og overholder ErP-direktiv (2009/125/EC for reduktion af energiforbrug).

- Det slukker efter 15 minutter.
- Det tænder automatisk, når signalet registreres.
- Det afhænger af indgangsfølsomhed for at kunne gøre dette. Sørg for, at lydstyrken på kildeenheden er skruet op.

## DEAKTIVÉR

Stil enheden på STANDBY, og hold knappen V+ inde, indtil den blå LED blinker. Den blå LED blinker langsomt én gang.

Gør det samme igen for at aktivere. Den blå LED blinker hurtigt tre gange.

## SLUK OG TÆND FOR STRØMMEN

Hvis der slukkes og tændes for strømmen, vil dette produkt automatisk tænde og genoptage de tidligere indstillinger.

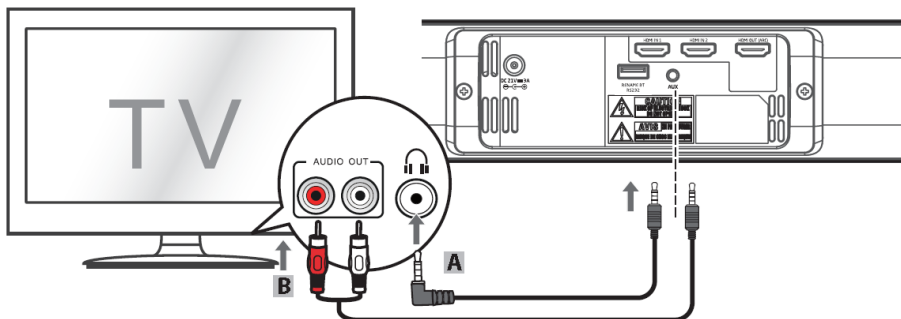
## EQ

Ved tryk på denne knap vises:

- Film
- Musik
- Tale

## MINIJACK-INDGANG (HOVEDTELEFONSTIK)

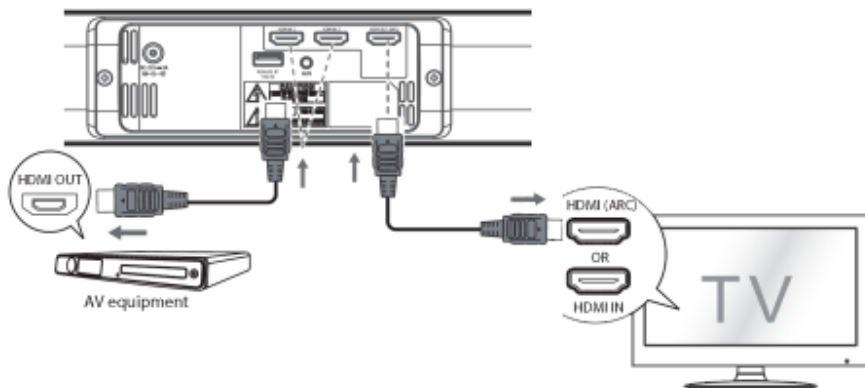
Tilslut kildeenhed som vist (kabler medfølger ikke)



Brugt som vist kan TV-fjernbetjeningen bruges til at justere lydstyrken. Bemærk: Ikke alle fjernsyn har et hovedtelefonstik.

## HDMI-INDGANGE

Tilslut kildeenhed som vist (kabler medfølger ikke)



### *HDMI ARC-INDGANG (Audio Return Channel)*

Slut ARC-**INDGANGEN** på SB-1900P til ARC-**UDGANGEN** på skærmen.  
Højtalerne i skærmen vil ikke længere fungere.  
Skærmens fjernbetjening vil nu styre soundbarens udgang.

Bemærk: Ikke alle skærme har en ARC-udgang, og du skal muligvis aktivere den i menuen.

### *STANDARD HDMI-INDGANGE*

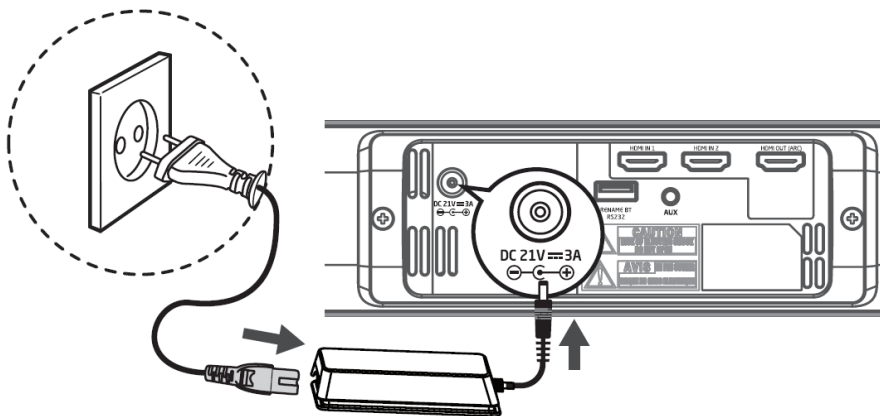
Slut kilden eller kilderne til Indgang 1 og 2.  
Slut HDMI-udgangen på SB-1900P til normal HDMI-indgang på skærmen

Bemærk: Hvis ikke der er nogen lyd, og hvis statuslyset blinker hurtigt, skal du muligvis aktivere PCM-signaludgangen på din kildeenhed.

## TÆND FOR STRØMMEN

Inden du tænder for strømmen, skal du sørge for, at du har tilsluttet alle andre forbindelser.

Fold jævnstrømskablet ud til dets fulde længde. Slut den anden ende af strømkkablet til stikket bag på soundbaren, og slut derefter stikket til stikkontakten.



## BLUETOOTH-INDGANG

Første gang du tilslutter, skal du parre din enhed. I dette eksempel har vi parret en telefon.

1. TRYK PÅ SOURCE FOR AT AKTIVERE BT-INDGANG Blå indikator begynder at blinke.
2. GÅ TIL INDSTILLINGER/BLUEOOTH PÅ TELEFONEN Du kan se, at SB-1900P er vist. Hvis ikke den er vist, er den muligvis allerede parret til en anden enhed (blå indikator er holdt op med at blinke). Tryk på knappen PAIR på fjernbetjeningen, eller tryk og hold på knappen PAIR på højttaleren, indtil den blå indikator begynder at blinke.
3. INDTAST ADGANGSKODEN 0000 (nul fire gange). Når den parres, lyser den blå indikator konstant.

Bemærkninger:

- Rækkevidden er ca. 8 meter
- Hvis signalstyrken er svag, og forbindelsen er gået tabt, vil soundbaren gå tilbage til parringstilstand.
- Dette produkt bruger Bluetooth version 4.2. Der er ikke garanti for, at det fungerer med alle kildeenheder.
- Dette produkt kan kun parres med én kilde ad gangen.
- Hvis ikke der parres med en kilde inden for 2 minutter, vender det tilbage til den tidligere kilde.
- Denne enhed understøtter A2DP (Advanced Audio Distribution Profile) og AVRCP (Audio Video Remote Control Profile)



## OMDØB BLUETOOTH

1. Opret en almindelig tekstfil på pc med navnet **ubt\_cfg.txt**, og anbring den i rodmappen på en USB-disk



2. Åbn filen, og kopiér dette indhold:

A screenshot of a text editor window titled 'ubt\_cfg.txt'. The window has a menu bar with 'File', 'Edit', 'Format', 'Options', and 'Help'. The text content is as follows:

```
RS UDISK FOR CONFIG SETTING:  
BT_NAME:SB-1900P_1822 Room  
PIN_CODE:5678  
#
```

Bemærk: Kun den røde tekst kan redigeres. Den maksimale længde er 32 tegn.  
Hvis ikke pin-koden udfyldes, eller hvis der bruges et bogstav, bliver den betraget som ingen pin-kode.

3. Sluk for strømmen til soundbaren
4. Tryk og hold på knappen EQ
5. Tænd for strømmen. Alle kilde-LED'er blinker to gange for at angive tilstanden til ændring af BT
6. Indsæt USB-disk. Den opdaterer automatisk navnet;  
For at bekræfte opdatering af **navn** blinker BT-indgangens LED langsomt **1 gang**  
For at bekræfte opdatering af **navn og pin-kode** blinker BT-indgangens LED **3 gange**

## RS-232

RS-232 er via USB-porten.

Brug den medfølgende USB til RS-232-adapter. Andre USB til RS-232-adaptere fungerer muligvis ikke.

Pin ud er:

Pin	2	3	5
Signal	TXD	RXD	GND

Denne pin-konfiguration giver en pc, der kører et serieterminalprogram (som f.eks. Hyper Terminal), mulighed for at kommunikere med soundbaren ved hjælp af et direkte DB9 9-bens RS-232-seriekabel.

Brug IKKE et kabel af typen "Null-Modem" til pc-tilslutning.

Kommunikationsindstillinger:

Baudhastighed	Databits	Paritet	Stopbit	Flow-kontrol
19200	8	Ingen	1	Ingen

### Kommandostruktur:

Hver kommando starter med et #-tegn (ASCII 0x23) efterfulgt af en kommandokode på tre tegn.

Hvis der er nogen parametre til kommandoen, bliver parametrene angivet i tekstformat, adskilt af et **mellemrum** (ASCII 0x20) fra kommandokoden.

Tegnet # må aldrig vises i parametrene.

Brug af returtast (ASCII 0x0d) angiver slutningen på kommandoen.

Et linjeskift (ASCII 0x0a) kan evt. efterfølge brug af returtasten og bliver ignoreret.

Hver kommando må generelt set ikke overstige 20 bytes, inklusive start på kommandoen og slut på kommandobytes.

Illustrationen af kommandostrukturen er som følger:

<Kommando> = <Start på kommando><Kommandokode>[<sp><Parametre>]<Slut på kommando>

<Start på kommando> = #, ASCII 0x23

<Kommandokode> = <byte><byte><byte>

<sp> = mellemrum, ASCII 0x20

<Parametre> = kommandospecifik

<Slut på kommando> = CR, ASCII 0x0d LF, ASCII 0x0a

## Svarstruktur:

Ved modtagelse af en kommando vil soundbaren udføre kommandoen og sende et svar tilbage.

- Svaret starter med et "@"-tegn (ASCII 0x23), efterfulgt af den oprindelige kommandokode og et mellemrum (ASCII 0x20) og en resultatkode, enten "OK" eller "ER".
- Hvis der er nogen parametre eller yderligere meddelelser, bliver parametrene eller meddelelserne angivet i tekstformat, adskilt af et mellemrum (ASCII 0x20) fra resultatkode.
- Tegnet "@" (ASCII 0x40) må aldrig vises i parametrene eller meddelelsen.
- Brug af returtast (ASCII 0x0d) angiver slutningen på svaret. Hvert svar må generelt set ikke overstige 25 bytes, inklusive start på svaret og slut på svarbytes.
- Illustrationen af svarstrukturen er som følger.

<Svar> = <Start på svar><Kommandokode><sp><Resultatkode>[<sp><Parametre>]<Slut på svar>

<Start på svar> = @, ASCII 0x40

<Kommandokode> = <byte><byte><byte>

<Resultatkode> = OK|ER

<sp> = mellemrum, ASCII 0x20

<Parametre> = kommandospecifik

<Slut på svar> = CR, ASCII 0x0d

## Meddelelsesstruktur for statusopdatering:

Hvis verbose-tilstanden er indstillet til 2 eller 3, vil soundbaren sende meddelelser om statusopdatering automatisk. Disse meddelelser er ikke et svar på en bestemt kommando. En hvilken som helst statusændring forårsaget af kommandoer fra RS232-kontrol, knapper på frontpanelet, IR-fjernbetjening eller igangværende afspilning kan udløse meddelelser om statusopdatering.

Meddelelserne om statusopdatering har følgende struktur:

<Opdater> = <Start på opdatering><Statuskode>[<sp><Parametre>]<Slut på opdatering>

<Start på opdatering> = @, ASCII 0x40

<Statuskode> = <byte><byte><byte>

<sp> = mellemrum, ASCII 0x20

<Parametre> = status-specific

<Slut på svar> = CR, ASCII 0x0d

## Kommandosekvens:

Kommandoerne udføres i den rækkefølge, de modtages. Kontrolklienten skal vente på et svar fra soundbaren, inden den næste kommando sendes.

Hvis soundbaren modtager en ny kommando, inden den forrige kommando udføres, kan soundbaren udføre kommandoerne i rækkefølge eller kassere den forrige kommando, afhængigt af den interne behandling af soundbaren. Kontrolklienten bør undgå at sende flere kommandoer i rækkefølge uden at vente på et svar.

Hvis ikke værten modtager et svar fra soundbaren 10 sekunder, efter kommandoen er udstedt, kan værten betragte kommandoen eller svaret som gået tabt og kan sende kommandoen igen.

## A. Fjernbetjeningens kommandoer

Kommandoer, der er knyttet til en fjernbetjenings knapper

Der kræves ingen parametre til disse kommandoer. Soundbaren håndterer kommandoerne, som den ville håndtere de samme IR-fjernkommandoer.

Kommandokode	Fjernbetjeningsknop	Funktion	Eksempel på svar
#POW 23 50 4F 57 0D	POWER	Slår STANDBY og TÆNDT til og fra	"@ OK ON/OFF" ON Booter OFF Slukker
#PON 23 50 4F 4E 0D	ON	Diskret slået til	"@ OK ON" ON Booter
#POF 23 50 4F 46 0D	OFF	Diskret slået fra	"@ OK OFF" OFF Slukker
#VUP 23 56 55 50 0D	VOL +	Øg lydstyrken	"@ OK xx" STE VOL xx
#VDN 23 56 44 4E 0D	VOL -	Sænk lydstyrken	"@ OK xx" STE VOL xx
#MUT 23 4D 55 54 0D	MUTE	Lydløs	"@ OK MUT" STE MUTE
#SRC 23 53 52 43 0D	SOURCE	Skift funktion	"@ OK AUX/ABT/CAO/OPT/ARC/HD1 /HD2/STANDBY" STE SOURCE xxx
#NEQ 23 4E 45 51 0D	EQ	Skift forudindstillet EQ	"@ OK MUST" "@ OK MOVI" "@ OK NEWS" "@ OK FLAT" STE EQ xxx
#PLA 23 50 4C 41 0D	PLAY	Start afspilning	"@ OK" MUSIC PLAY
#PRE 23 50 52 45 0D	PREV	Spring til forrige	"@ OK"
#NXT 23 4E 58 54 0D	NEXT	Spring til næste	"@ OK"
#PAR 23 50 41 52 0D	PAIR	BT-parring	"@ OK"

## Indgangskommandoer

Note fra september 2019: Der kræves muligvis en opgradering af firmware for at få disse koder til at fungere

#SSR AUX	23 53 53 52 20 41 55 58 0D	AUX
#SSR BT	23 53 53 52 20 42 54 0D	BT
#SSR ARC	23 53 53 52 20 41 52 43 0D	ARC
#SSR HD1	23 53 53 52 20 48 44 31 0D	HDMI1
#SSR HD2	23 53 53 52 20 48 44 32 0D	HDMI2
#SEQ MOV	23 53 45 51 20 4D 4F 56 0D	MOVIE
#SEQ MUS	23 53 45 51 20 4D 55 53 0D	MUSIC
#SEQ NEW	23 53 45 51 20 4E 45 57 0D	NEWS

## B. Forespørgselskommandoer

Denne gruppe af kommandoer udsteder forespørgsler til soundbaren. Soundbaren svarer i henhold til dens aktuelle status.

Kommandokode	Funktion	Eksempel på svar
#QVM 23 51 56 4D 0D	Forespørgsel om verbose-tilstand	"@ OK 0" verbose-tilstand 0 "@ OK 1" verbose-tilstand 1 "@ OK 2" verbose-tilstand 2 "@ OK 3" verbose-tilstand 3
#QPW 23 51 50 57 0D	Forespørgsel om strømstatus	"@ OK ON" lyd slået til "@ OK OFF" lyd slået fra
#QVR 23 51 56 52 0D	Forespørgsel om firmwareversion	"@ OK 0 xx" version 0 xx
#QVL 23 51 56 4C 0D	Forespørgsel om lydstyrke	"@ OK 0-32 " lyd arbejdslydstyrke xx "@ OK MUTE" lyd slået fra
#QPL 23 51 50 4C 0D	Forespørgsel om afspilningsstatus	"@ OK PLAY " Nu afspilles
#QRP 23 51 52 50 0D	Forespørgsel om tilstanden Gentag	"@ OK REPF "
#QSR 23 51 53 52 0D	Forespørgsel om indgangskilde	"@ OK AUX/ABT/CAO/OPT/ARC/HD1/HD2/STANDBY " Arbejdskilde xx
#QEQ 23 51 45 51 0D	Forespørgsel om forudindstillet EQ	"@ OK MUSI" "@ OK MOVI" "@ OK NEWS" "@ OK FLAT" Arbejds-EQ xx

### C. Avancerede kommandoer

Denne gruppe af kommandoer underretter soundbaren om at udføre en avanceret funktion i et enkelt trin.

Kommandokode	Parametre	Funktion	Eksempel på svar
#SVM 23 53 56 4D X 0D	30 Afslut verbose-tilstand 31 Ingen funktion 32 Opdateres, når relevante parametre ændres 33 Opdateres efter tid	Sæt verbose-tilstand	"@ OK "
#SVL	0 – 32 MUTE	Sæt lydstyrke fx #SVL 9 = LYDSTYRKE 9 23 53 56 4C 20 39 0D  fx #SVL MUT = LYDLØS 23 53 56 4C 20 4D 55 54 0D	OK 32 OK MUTE
#SRP	ALL CH OFF RND	Gentag alle Gentag kapitel Gentag slået fra Vilkårlig	OK RPTA OK RPT1 OK RPTF OK RPTR
#SSR 23 53 53 52 X 0D	41 55 58 Sæt kilde til AUX 42 54 Sæt kilde til BT 41 52 43 Sæt kilde til ARC 48 44 31 Sæt kilde til HDMI 1 48 44 32 Sæt kilde til HDMI 2	Sæt indgangskilde	"@ OK " SÆT Kilde OK
#SEQ 23 53 45 51 X 0D	4D 4F 56 Sæt EQ FILM 4D 55 53 Sæt EQ MUSIK 4E 45 57 Sæt EQ NYHEDER	Sæt EQ	"@ OK " SET EQ OK
#RST		Nulstil kommando – Ryd alle kommandobuffere, vent ikke på afventende/afviklende kommandoer.  Start forfra igen.	
#QVL 23 53 56 76 X 0D	Se tabellen herunder for detaljerede lydstyrkeindstillinger	Sæt lydstyrke	"@ OK " SET VOL OK



## Lydstyrkekommandoer

VOL (X)	hex
0-9	30-39
10	31 30
11	31 31
12	31 32
13	31 33
14	31 34
15	31 35
16	31 36
17	31 37
18	31 38
19	31 39
20	32 30
21	32 31
22	32 32
23	32 33
24	32 34
25	32 35
26	32 36
27	32 37
28	32 38
29	32 39
30	32 30
31	32 31
32	33 32
MUT	4D 55 54

## **Meddelelser om statusopdatering:**

Følgende meddelelser om statusopdatering sendes automatisk af soundbaren, når verbose-tilstanden er indstillet til 2 eller 3.

### **UPW** - Opdatering om strømstatus:

Sendes, når der er en ændring i statussen for strøm tænd/sluk. Mulige parametre:

2 tegn

ON – Enhed er slået til

OFF – Enhed slukkes

Eksempel: UPW ON

### **USR** - Opdatering om funktionel status:

Send, når funktionen er aktiv. Mulige parametre:3 tegn

AUX – Hjelpeindgang

OPT – Optisk indgang

COA – Coaxial indgang

ABT – Bluetooth-indgang

ARC – HDMI ARC indgang

Eksempel: USR ABT

### **UPL** - Opdatering af afspilningsstatus

Send, når der er ændringer i afspilnings status. Mulige parametre:4 tegn

PLAY – Afspilning starter

PAUS – Afspilning er sat på pause

STOP – Afspilning er stoppet

Eksempel: UPL PLAY

### **URP** – Statusopdatering for gentag afspilning

Send, når der er ændringer i statussen for gentag afspilning. Mulige parametre: 4 tegn

RPTA – Gentag alle

RPT1 – Gentag tegn

RPTF – Gentag fra

RPTR – Vilkkårlig

Eksempel: UPR RPTA

### **UVL** - Opdatering om lydstyrkeniveau:

Sendes, når der er en ændring i status for lydstyrkeniveau eller lydløs. Mulige parametre: 3 tegn

MUT – Lydløs er aktiveret

000 .. 100 – Aktuelt lydstyrkeniveau. (Sendes også, når lydløs annulleres).  
Eksempel: UVL 068

**UEQ** – Opdatering om status for forudindstillet EQ

Sendes, når der er ændringer i standardtilstanden for EQ Mulige parametre: 4 tegn

MUSI – MUSIC EQ træder i kraft

MOVI – MOVIE EQ træder i kraft

FLAT – FLAT EQ træder i kraft

NEWS – NEWS EQ træder i kraft

GAME – GAME EQ træder i kraft

Eksempel: UEQ MUSI.

VISION 

**ALTAVOCES AUTOAMPLIFICADOS  
SB-1900P  
MANUAL DEL PROPIETARIO**



[www.visionaudiovisual.com/es/techaudio/sb-1900p/](http://www.visionaudiovisual.com/es/techaudio/sb-1900p/)

## DECLARACIÓN DE CONFORMIDAD

Siempre que proceda, los productos de Vision disponen de certificación y cumplen con la normativa local vigente, de acuerdo con el estándar de certificación CB. Vision se compromete a asegurarse de que todos sus productos cumplan con los estándares de certificación adecuados para su venta en la UE y otros países participantes.

El producto descrito en este manual del propietario cumple con los estándares RoHS (directiva UE 2002/95/CE) y WEEE (directiva UE 2002/96/CE). Este producto ha de ser devuelto al lugar de compra al final de su vida útil para ser reciclado.

## ADVERTENCIAS



**CAUTION**  
RISK OF ELECTRIC SHOCK  
DO NOT OPEN



### PRECAUCIÓN: PELIGRO DE DESCARGA ELÉCTRICA NO ABRIR

PELIGRO: PARA REDUCIR EL RIESGO DE DESCARGA ELÉCTRICA, NO RETIRE LA CUBIERTA (NI PANEL POSTERIOR). LAS PIEZAS DEL INTERIOR DE ESTE DISPOSITIVO NO PUEDEN SER REPARADAS POR EL USUARIO. CUALQUIER REPARACIÓN DEBERÁ EFECTUARLA UN TÉCNICO PROFESIONAL DE MANTENIMIENTO CUALIFICADO.



La luz intermitente identificada mediante el símbolo de la flecha situada dentro de un triángulo equilátero sirve para alertar al usuario de la presencia de "voltaje peligroso" no aislado dentro de la carcasa del producto, que podría ser de magnitud suficiente como para constituir un riesgo de descarga eléctrica.



El signo de exclamación situado dentro de un triángulo equilátero sirve para alertar al usuario de la presencia de instrucciones importantes de funcionamiento y mantenimiento en la guía que acompaña al aparato.

ADVERTENCIA: PARA REDUCIR EL RIESGO DE INCENDIO O DESCARGA ELÉCTRICA, PROTEJA ESTE APARATO DE LA LLUVIA Y LA HUMEDAD.

Todos los productos son diseñados e importados a la UE por "Vision", que es íntegramente propiedad de "Azlan Logistics Ltd", registrada en Inglaterra n.º 04625566 en Lion House, Pioneer Business Park, Clifton Moor, York, YO30 4GH. Registro WEEE: GD00465Y



## DECLARACIÓN DE ORIGEN

Todos los productos de Vision se fabrican en la República Popular China (RPC).

## UTILIZAR SOLO SALIDAS AC DOMÉSTICAS

Conectar la unidad a una salida con un voltaje más alto puede ocasionar riesgo de incendio.

## **MANIPULE EL CABLE DE CORRIENTE CON CUIDADO**

No desconecte el enchufe de la salida de AC tirando del cable; desconecte siempre el enchufe mismo. Tirar del cable puede dañarlo. Si no tiene pensado utilizar su unidad por un período considerable de tiempo, desconecte la unidad. No coloque muebles ni otros objetos pesados sobre el cable e intente evitar que caigan objetos pesados sobre él. No haga nudos en el cable de corriente. No solo podría dañarse el cable, sino que también podría producirse un cortocircuito con el consiguiente riesgo de incendio.

## **LUGAR DE INSTALACIÓN**

Evite instalar este producto bajo las siguientes condiciones:

- Lugares húmedos.
- Lugares expuestos a la luz directa del sol o situados cerca de fuentes de calor.
- Lugares extremadamente fríos.
- Lugares expuestos al polvo o a la vibración excesiva.
- Lugares con poca ventilación.

No exponga este producto a goteos ni salpicaduras. ¡NO COLOQUE OBJETOS LLENOS DE LÍQUIDOS SOBRE O CERCA DE ESTE PRODUCTO!

## **MOVER LA UNIDAD**

Antes de mover la unidad, asegúrese de desenchufar el cable de corriente de la salida AC y desconecte los cables de interconexión con otras unidades.

## **SIGNOS DE ADVERTENCIA**

Si detecta un olor anormal o humo, apague este producto inmediatamente y desconecte el cable de corriente. Contacte con su distribuidor o con Vision.

## **EMPAQUETADO**

Guarde todo el material de empaquetado. Es esencial para el envío en caso de que la unidad necesite reparaciones alguna vez.

SI NO SE UTILIZA EL EMPAQUETADO ORIGINAL AL DEVOLVER LA UNIDAD AL CENTRO DE SERVICIO, LOS DAÑOS EN EL TRÁNSITO NO SERÁN CUBIERTOS POR GARANTÍA.

## **VATIOS**

Las medidas más exactas a la hora de calcular los vatios son la "Potencia de programa" y "RMS", ya que estas miden los niveles medios durante un periodo determinado.

Si los altavoces disponen de amplificadores integrados, entonces se conoce la carga (resistencia, medida en ohmios) para fijar el voltaje.

## **ADVERTENCIAS ESPECIALES**

No utilice este producto cerca de un avión o de un centro médico. Puede causar interferencias.

La utilización del producto en las ubicaciones siguientes puede dar lugar a una salida anómala de vídeo y audio:

- Producto instalado en paredes de hormigón
- Producto situado cerca de un frigorífico, horno microondas u otros objetos metálicos
- Una sala abarrotada donde las señales inalámbricas puedan quedar bloqueadas

Este producto ha sido probado y fabricado para cumplir las normas de seguridad de cada país, sin embargo, no hay garantía de que no se produzcan interferencias en algunas situaciones. Si se produjeran interferencias, rectifique la distancia entre el transmisor y el receptor.

## **DECLARACIÓN SOBRE INTERFERENCIAS DE LA FEDERAL COMMUNICATIONS COMMISSION (COMISIÓN FEDERAL DE COMUNICACIONES)**

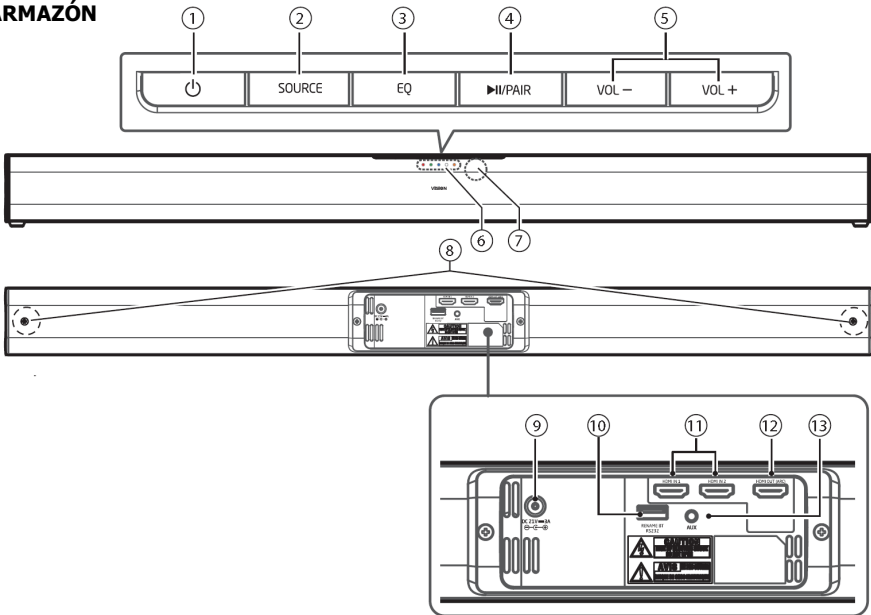
Tras probar este equipo, se ha determinado que cumple los límites para los dispositivos digitales de Clase B, de conformidad con el capítulo 15 de las normas de la FCC. Este equipo genera, utiliza y puede irradiar energía de radiofrecuencia y, en casos extremos, puede provocar interferencias perjudiciales para las radiocomunicaciones. Si esto sucediera, se recomienda al usuario que:

- Reubique la antena de recepción
- Aumente la separación entre el equipo y el receptor
- Conecte el equipo a un circuito de alimentación diferente.

## **DECLARACIÓN SOBRE LA EXPOSICIÓN A LA RADIACIÓN:**

Este equipo cumple los límites establecidos por la IC de exposición a la radiación para un entorno no controlado. Este equipo debe instalarse y manejarse con una distancia mínima de 20 cm entre el elemento radiante y su cuerpo.

## ARMAZÓN

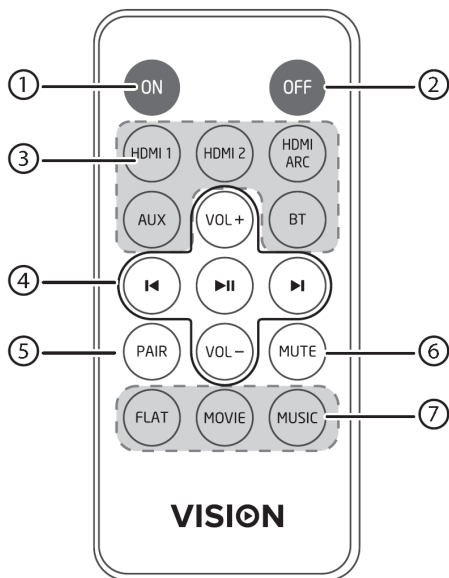


1. Botón de modo de espera
2. Botón de SOURCE (Fuente)
3. Botón de EQ (Ecuador)
4. Botón de reproducción/PAIR (Emparejamiento)
  - Pause o reproduzca contenido en el dispositivo fuente del Bluetooth.
  - Manténgalo pulsado para activar la función de emparejamiento y para desconectar los dispositivos emparejados existentes.
5. Botones VOL+/VOL- (Subir volumen/Bajar volumen). Cuando una fuente de Bluetooth está emparejada y activa, los botones de volumen regulan el volumen de la barra de sonido. El nivel de volumen del dispositivo también puede regularse de forma independiente.
6. Indicadores LED de la parte delantera
  - **Rojo** para MODO DE ESPERA
  - **Verde** para AUX
  - **Azul** para Bluetooth
  - Blanco para HDMI 1
  - Blanco intermitente para HDMI 2
  - **Naranja** para HDMI ARC
7. Receptor de mando a distancia por infrarrojos
8. Tornillos de soporte mural
9. Toma de alimentación de CC
10. Toma USB-A para cambiar el nombre y el PIN del Bluetooth y para el control por RS-232
11. Entradas HDMI 1 y 2
12. SALIDA DE HDMI ARC
13. Toma de entrada auxiliar de miniconector de 3,5 mm

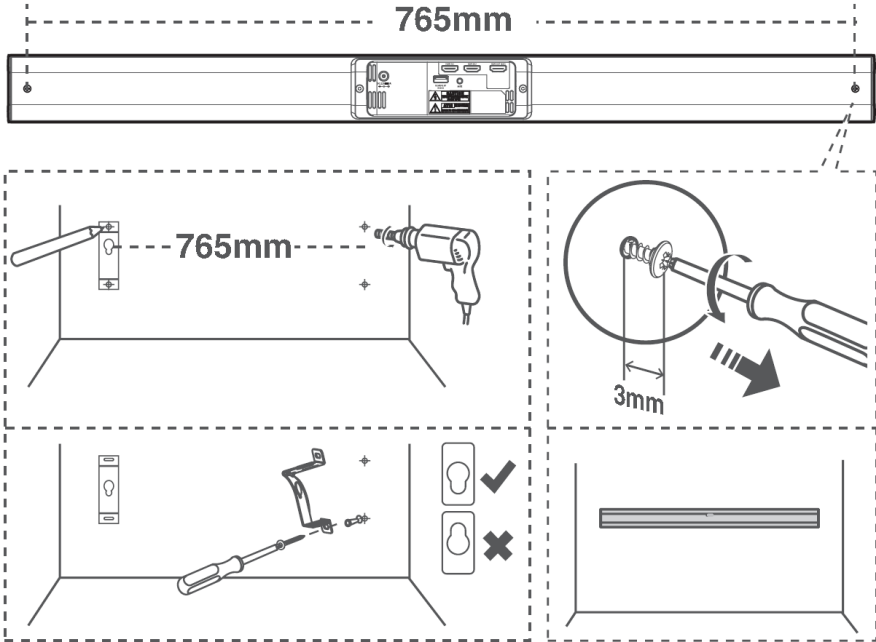


## MANDO A DISTANCIA

1. On (Encender)
2. Off (Apagar)
3. Selección de entrada
4. VOL: bajada y subida de volumen  
En modo Bluetooth, el botón de reproducción controla el dispositivo fuente
5. PAIR (Emparejar) activa la función de emparejamiento y desconecta el dispositivo emparejado existente
6. Mute (Silenciar)
7. Botones del EQ (Ecuador)



## INSTALACIÓN



## MODO DE ESPERA AUTOMÁTICO

Este producto cuenta con modo de espera automático y cumple la Directiva ErP (2009/125/CE sobre reducción del consumo de energía).

- Se apagará una vez transcurridos 15 minutos.
- Se encenderá automáticamente cuanto se detecte la señal.
- Para ello se sirve de la sensibilidad de entrada. Asegúrese de subir el volumen en el dispositivo fuente.

## DESACTIVAR

Cambie a MODO EN ESPERA; a continuación, mantenga pulsado el botón «V+» hasta que parpadee la luz azul. El LED azul parpadeará lentamente una vez.

Para habilitarlo, realice la misma operación. El LED azul parpadeará rápidamente tres veces.

## CICLO DE ENCENDIDO/APAGADO

Si la alimentación eléctrica se apaga y enciende, este producto volverá a activarse automáticamente y recuperará la configuración anterior.

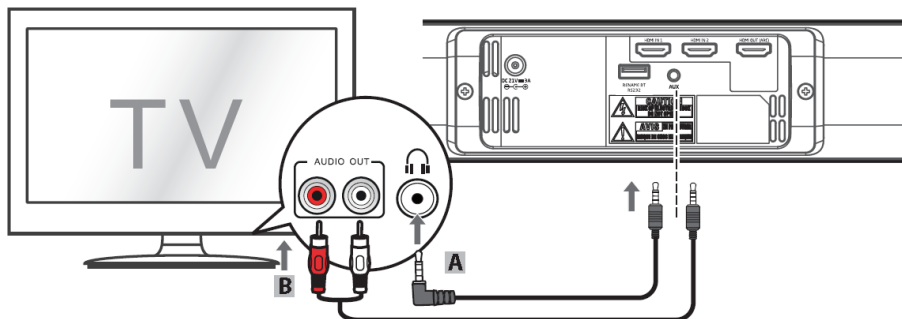
## EQ (Ecuualizador)

La pulsación de este botón permite desplazarse entre:

- Película
- Música
- Voz

## ENTRADA DE MINICONECTOR (CLAVIJA PARA AURICULARES)

Conecte el dispositivo fuente del modo mostrado a continuación (cables no incluidos)

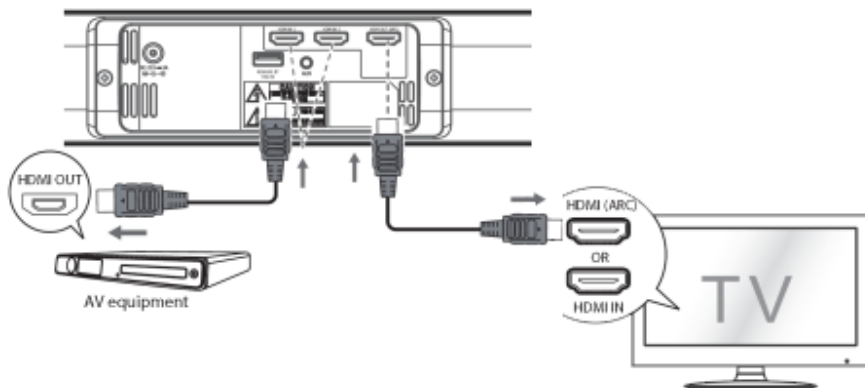


Este tipo de conexión permite utilizar el propio mando a distancia del televisor para regular el volumen.

Nota: No todos los televisores cuentan con una clavija para auriculares.

## ENTRADAS HDMI

Conecte el dispositivo fuente del modo mostrado a continuación (cables no incluidos)



### ***ENTRADA DE HDMI ARC (canal de retorno de audio)***

Conecte la **ENTRADA** ARC de la SB-1900P a la **SALIDA** ARC de la pantalla.

Los altavoces de la pantalla dejarán de funcionar.

A partir de ese momento, el mando a distancia de la pantalla controlará la salida de la barra de sonido.

Nota: No todas las pantallas tienen una salida ARC, por lo que es posible que tenga que activarla en el menú.

### ***ENTRADAS HDMI ESTÁNDAR***

Conecte la/s fuente/s a las entradas 1 y 2.

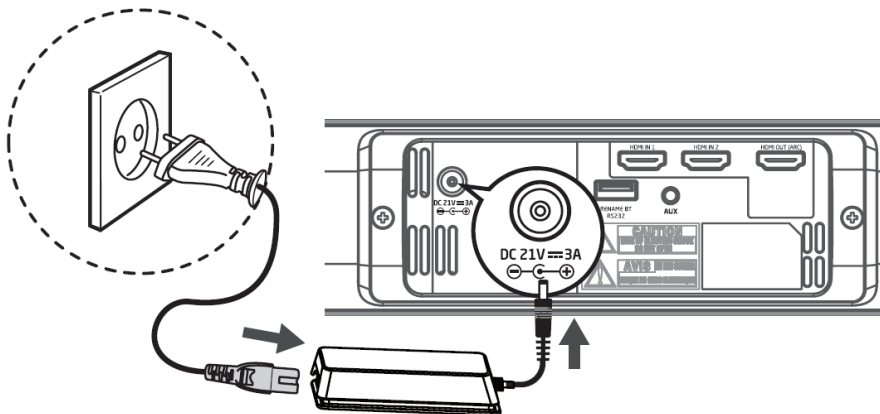
Conecte la salida HDMI de la SB-1900P a la entrada de HDMI normal de la pantalla.

Nota: Si no hubiera sonido y las luces de estado parpadearan rápidamente, puede que necesite activar la salida de señal PCM en su dispositivo fuente.

## CONEXIÓN A LA CORRIENTE

Antes de conectar a la alimentación, asegúrese de haber realizado todas las demás conexiones.

Desenrolle el cable de CC en toda su longitud. Conecte un extremo del cable de alimentación principal a la toma de la parte trasera de la barra de sonido, después conecte el enchufe del otro extremo del cable a la red eléctrica.



## ENTRADA DE BLUETOOTH

La primera vez que lo conecte, deberá emparejar su dispositivo. En este ejemplo, emparejaremos un teléfono.

1. PULSE «SOURCE» (Fuente) PARA ACTIVAR LA ENTRADA DE BLUETOOTH. El indicador azul comenzará a parpadear.
2. EN EL TELÉFONO, SELECCIONE AJUSTES/BLUETOOTH. Verá que aparece la SB-1900P. En caso contrario, puede que ya esté emparejada con otro dispositivo (el indicador azul habrá dejado de parpadear). Pulse el botón «PAIR» (Emparejar) en el mando a distancia, o bien mantenga pulsado el botón «PAIR» en el altavoz hasta que el indicador azul comience a parpadear.
3. INTRODUZCA LA CONTRASEÑA: **0000** (4 ceros). Cuando estén emparejados, el indicador azul emitirá una luz fija.

### Notas:

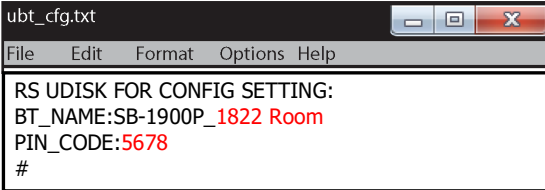
- El alcance de funcionamiento es de aproximadamente 8 metros (26 pies).
- Si la intensidad de la señal se debilita y llega a perderse la conexión, la barra de sonido volverá al modo de emparejamiento.
- Este producto utiliza la versión 4.2 de Bluetooth. No se garantiza su funcionamiento con todos los dispositivos fuente.
- Este producto únicamente puede emparejarse con una fuente cada vez.
- Si transcurren 2 minutos sin emparejarlo con un dispositivo fuente, volverá a la fuente anterior.
- Este dispositivo es compatible con A2DP (perfil de distribución de audio avanzado) y AVRCP (perfil de control remoto de audio y vídeo).

## CAMBIO DE NOMBRE DE BLUETOOTH

1. Cree un archivo de texto sin formato en el PC y llámelo **ubt\_cfg.txt**, a continuación colóquelo en el directorio raíz de una unidad USB.

 **ubt\_cfg.txt**

2. Abra el archivo creado y copie el siguiente contenido:



```
ubt_cfg.txt
File Edit Format Options Help
RS UDISK FOR CONFIG SETTING:
BT_NAME:SB-1900P_1822 Room
PIN_CODE:5678
#
```

Nota: Solamente el texto en rojo es editable. La longitud máxima admitida es de 32 caracteres. Si deja el PIN en blanco, o bien utiliza un carácter alfabético para el mismo, no será detectado como PIN.

3. Desconecte la alimentación de la barra de sonido.
4. Mantenga pulsado el botón «EQ» (Ecuador).
5. Conecte la alimentación. Todos los LED de la fuente parpadearán 2 veces para indicar que se encuentran en el modo de cambio de nombre del Bluetooth.
6. Inserte la unidad USB. Esta actualizará el nombre automáticamente.  
Para confirmar la actualización del **nombre**, el LED de entrada de Bluetooth parpadeará lentamente **1 vez**.  
Para confirmar la actualización del **nombre y el PIN**, el LED de entrada de Bluetooth parpadeará **3 veces**.

## RS-232

La conexión para RS-232 se realiza a través del puerto USB.

Utilice el adaptador de USB a RS-232 incluido. Otros adaptadores de USB a RS-232 podrían no funcionar.

La disposición de las patillas es:

Patilla	2	3	5
Señal	TXD	RXD	GND

Esta configuración de las patillas permite a un PC que esté ejecutando un programa de terminal serie (como Hyper Terminal) comunicarse con la barra de sonido mediante un cable serie recto de RS-232 con conector DB9 de 9 patillas.

NO utilice un cable tipo «módem nulo» para la conexión al PC.

Configuraciones de comunicación:

Velocidad de transmisión en baudios	Bits de datos	Paridad	Bit de parada	Control del flujo
19200	8	Ninguna	1	Ninguno

### Estructura de los comandos:

Cada comando comienza con un signo # (ASCII 0x23) seguido de un código de comando de 3 caracteres.

Si hay parámetros para el comando, estos se proporcionan en formato de texto, separados por un **espacio** (ASCII 0x20) del código de comando.

El carácter # no debe aparecer nunca en los parámetros.

Un retorno de carro (ASCII 0x0d) indica el fin del comando.

De forma opcional, un avance de línea (ASCII 0x0a) puede seguir al retorno de carro y será ignorado.

Generalmente, cada comando no puede exceder los 20 bytes, incluidos los bytes del inicio del comando y del fin del comando.

Una muestra de la estructura de los comandos sería la siguiente:

<Comando> = <Inicio de comando><Código de comando>[<sp><Parámetros>]<Fin de comando>

<Inicio de comando> = #, ASCII 0x23

<Código de comando> = <byte><byte><byte>

<sp> = espacio, ASCII 0x20

<Parámetros> = específicos del comando

<Fin de comando> = CR, ASCII 0x0d LF, ASCII 0x0a



## Estructura de la respuesta:

Al recibir un comando, la barra de sonido lo ejecutará y devolverá una respuesta.

- La respuesta comienza con un signo «@» (ASCII 0x23), seguido del código del comando original y de un espacio (ASCII 0x20), junto con un código de resultado que puede ser «OK» o «ER».
- Si hubiera algún parámetro o mensaje adicional, los parámetros o mensajes se proporcionan en formato de texto, separados por un espacio (ASCII 0x20) del código de resultado.
- El carácter «@» (ASCII 0x40) no debe aparecer nunca en los parámetros o el mensaje.
- Un retorno de carro (ASCII 0x0d) indica el fin de la respuesta. Generalmente, cada respuesta no puede exceder los 25 bytes, incluidos los bytes del inicio de la respuesta y del fin de la respuesta.
- Una muestra de la estructura de la respuesta sería la siguiente:

<Respuesta> = <Inicio de respuesta><Código de comando><sp><Código de resultado>[<sp><Parámetros>]<Fin de respuesta>

<Inicio de respuesta> = @, ASCII 0x40

<Código de comando> = <byte><byte><byte>

<Código de resultado> = OK|ER

<sp> = espacio, ASCII 0x20

<Parámetros> = específicos del comando

<Fin de respuesta> = CR, ASCII 0x0d

## Estructura de los mensajes de actualización de estado:

Si el modo detallado está establecido en 2 o 3, la barra de sonido enviará automáticamente mensajes de actualización de estado. Estos mensajes no son una respuesta a ningún comando en particular. Cualquier cambio de estado causado por los comandos del control RS232, de los botones del panel frontal, del mando a distancia por infrarrojos o del avance de la reproducción puede activar los mensajes de actualización de estado.

Los mensajes de actualización de estado tienen la estructura siguiente:

<Actualización> = <Inicio de actualización><Código de estado>[<sp><Parámetros>]<Fin de actualización>

<Inicio de actualización> = @, ASCII 0x40

<Código de estado> = <byte><byte><byte>

<sp> = espacio, ASCII 0x20

<Parámetros> = status-specific

<Fin de respuesta> = CR, ASCII 0x0d

## Secuencia de los comandos:

Los comandos se ejecutan en el orden en que se reciben. El cliente de control debe esperar una respuesta de la barra de sonido antes de enviar el siguiente comando.

Si la barra de sonido recibe un nuevo comando antes de ejecutar el comando anterior, la barra de sonido puede ejecutar los comandos secuencialmente o bien descartar el comando anterior, en función del procesamiento interno de la barra de sonido. El cliente de control debe evitar el envío secuencial de varios comandos sin esperar a una respuesta.

Si el *host* no recibe una respuesta de la barra de sonido dentro de los 10 segundos siguientes a la emisión del comando, el *host* puede considerar que el comando o la respuesta se ha perdido durante la transmisión y puede transmitir de nuevo el comando.

## A. Comandos de mando a distancia

Comandos que están asignados a los botones de un mando a distancia.

No se necesitan parámetros para estos comandos. La barra de sonido procesa los comandos como si los recibiera del mando a distancia por infrarrojos.

Código del comando	Tecla del mando a distancia	Función	Ejemplo de respuesta
#POW 23 50 4F 57 0D	POWER	Alternar MODO DE ESPERA y ENCENDIDO	"@ OK ON/OFF" ON Arrancar OFF Apagar
#PON 23 50 4F 4E 0D	ON	Encendido discreto	"@ OK ON" ON Arrancar
#POF 23 50 4F 46 0D	OFF	Apagado discreto	"@ OK OFF" OFF Apagar
#VUP 23 56 55 50 0D	VOL +	Subir volumen	"@ OK xx" STE VOL xx
#VDN 23 56 44 4E 0D	VOL -	Bajar volumen	"@ OK xx" STE VOL xx
#MUT 23 4D 55 54 0D	MUTE	Silenciar audio	"@ OK MUT" STE MUTE
#SRC 23 53 52 43 0D	SOURCE	Cambiar función	"@ OK AUX/ABT/CAO/OPT/ARC/HD1/HD2/STANDBY" STE SOURCE xxx
#NEQ 23 4E 45 51 0D	EQ	Cambiar EQ preestablecido	"@ OK MUST" "@ OK MOVI" "@ OK NEWS" "@ OK FLAT" STE EQ xxx
#PLA 23 50 4C 41 0D	PLAY	Iniciar reproducción	"@ OK" MUSIC PLAY
#PRE 23 50 52 45 0D	PREV	Saltar al anterior	"@ OK"
#NXT 23 4E 58 54 0D	NEXT	Saltar al siguiente	"@ OK"
#PAR 23 50 41 52 0D	PAIR	Emparejar Bluetooth	"@ OK"

## Comandos de entradas

Nota añadida en septiembre de 2019: para que funcionen estos códigos podría ser necesaria una actualización del firmware

#SSR AUX	23 53 53 52 20 41 55 58 0D	AUX
#SSR BT	23 53 53 52 20 42 54 0D	BT
#SSR ARC	23 53 53 52 20 41 52 43 0D	ARC
#SSR HD1	23 53 53 52 20 48 44 31 0D	HDMI1
#SSR HD2	23 53 53 52 20 48 44 32 0D	HDMI2
#SEQ MOV	23 53 45 51 20 4D 4F 56 0D	MOVIE
#SEQ MUS	23 53 45 51 20 4D 55 53 0D	MUSIC
#SEQ NEW	23 53 45 51 20 4E 45 57 0D	NEWS

## B. Comandos de consulta

Este grupo de comandos envía consultas a la barra de sonido. La barra de sonido responderá según su estado en cada momento.

Código del comando	Función	Ejemplo de respuesta
#QVM 23 51 56 4D 0D	Consultar modo detallado	"@ OK 0" Modo detallado 0 "@ OK 1" Modo detallado 1 "@ OK 2" Modo detallado 2 "@ OK 3" Modo detallado 3
#QPW 23 51 50 57 0D	Consultar estado de alimentación	"@ OK ON" Sonido encendido "@ OK OFF" Sonido apagado
#QVR 23 51 56 52 0D	Consultar versión de firmware	"@ OK 0 xx" Versión 0 xx
#QVL 23 51 56 4C 0D	Consultar volumen	"@ OK 0-32 " Volumen de sonido activado xx "@ OK MUTE" Sonido silenciado
#QPL 23 51 50 4C 0D	Consultar estado de reproducción	"@ OK PLAY " En reproducción
#QRP 23 51 52 50 0D	Consultar modo de repetición	"@ OK REPF "
#QSR 23 51 53 52 0D	Consultar fuente de entrada	"@ OK AUX/ABT/CAO/OPT/ARC/HD1/HD2/STANDBY " Fuente activa xx
#QEQ 23 51 45 51 0D	Consultar EQ (Ecuilizador) preestablecido	"@ OK MUSI" "@ OK MOVI" "@ OK NEWS" "@ OK FLAT" EQ activo xx

### C. Comandos avanzados

Este grupo de comandos ordena a la barra de sonido que realice una operación avanzada en un único paso.

Código del comando	Parámetros	Función	Ejemplo de respuesta
#SVM 23 53 56 4D X 0D	30 Cerrar modo detallado 31 Sin función 32 Se actualiza cuando cambian los parámetros pertinentes 33 Actualizar el tiempo	Establecer modo detallado	"@ OK "
#SVL	0 – 32 MUTE	Establecer volumen p. ej.: #SVL 9 = VOLUMEN EN 9 23 53 56 4C 20 39 0D  p. ej.: #SVL MUT = SILENCIAR 23 53 56 4C 20 4D 55 54 0D	OK 32 OK MUTE
#SRP	ALL CH OFF RND	Repetir todo Repetir capítulo Desactivar repetición Aleatorio	OK RPTA OK RPT1 OK RPTF OK RPTR
#SSR 23 53 53 52 X 0D	41 55 58 Establecer fuente AUX 42 54 Establecer fuente Bluetooth 41 52 43 Establecer fuente ARC 48 44 31 Establecer fuente HDMI 1 48 44 32 Establecer fuente HDMI 2	Establecer fuente de entrada	"@ OK " SET Fuente OK
#SEQ 23 53 45 51 X 0D	4D 4F 56 Establecer EQ MOVIE 4D 55 53 Establecer EQ MUSIC 4E 45 57 Establecer EQ NEWS	Establecer EQ	"@ OK " SET EQ OK
#RST		Restablecer comando – Eliminar todos los búferes de comandos, no esperar a los comandos pendientes/en ejecución.	

		Iniciar de nuevo.	
#QVL 23 53 56 76 X 0D	Consultar la tabla siguiente para ver los parámetros de volumen detallados	Establecer volumen	"@ OK " SET VOL OK

## Comandos de volumen

VOL. (X)	Hexadecimal
0-9	30-39
10	31 30
11	31 31
12	31 32
13	31 33
14	31 34
15	31 35
16	31 36
17	31 37
18	31 38
19	31 39
20	32 30
21	32 31
22	32 32
23	32 33
24	32 34
25	32 35
26	32 36
27	32 37
28	32 38
29	32 39
30	32 30
31	32 31
32	33 32
MUT	4D 55 54



## **Mensajes de actualización de estado:**

La barra de sonido envía automáticamente los siguientes mensajes de actualización de estado cuando el modo detallado está establecido en 2 o 3.

### **UPW** - Actualización de estado de alimentación:

Se envía cuando hay un cambio de estado encendido/apagado. Parámetros posibles: 2 caracteres

ON – La unidad está encendida

OFF – La unidad se está

apagando

Ejemplo: UPW ON

### **USR** - Actualización de estado de función:

Se envía cuando la función está activa. Parámetros posibles: 3 caracteres

AUX – Entrada Auxiliar

OPT – Entrada Óptica

COA – Entrada Coaxial

ABT – Entrada de Bluetooth

ARC – Entrada HDMI ARC

Ejemplo: USR ABT

### **UPL** - Actualización de estado de reproducción

Se envía cuando hay un cambio en el estado de reproducción. Parámetros posibles: 4 caracteres

PLAY – La reproducción se está iniciando

PAUS – La reproducción está en pausa

STOP – La reproducción se ha detenido

Ejemplo: UPL PLAY

### **URP** – Actualización de estado de repetición de reproducción

Se envía cuando hay un cambio en el estado de repetición de la reproducción.

Parámetros posibles: 4 caracteres

RPTA – Repetir todo

RPT1 – Repetir capítulo

RPTF – Desactivar repetición

RPTR – Aleatorio

Ejemplo: UPR RPTA

### **UVL** - Actualización de nivel de volumen:

Se envía cuando hay un cambio en el estado del volumen o en el modo silencio.

Parámetros posibles: 3 caracteres

MUT – El silencio está activado

000 .. 100 – Nivel de volumen actual. (También se envía cuando se desactiva el silencio). Ejemplo: UVL 068

**UEQ** – Actualización de estado de EQ preestablecido

Se envía cuando hay un cambio en el estado del EQ predeterminado.

Parámetros posibles: 4 caracteres

MUSI – EQ de MÚSICA activado

MOVI – EQ de PELÍCULA activado

FLAT – EQ PLANO activado

NEWS – EQ de NOTICIAS activado

GAME – EQ de JUEGOS activado

Ejemplo: UEQ MUSI.

VISION 

## **HAUT-PARLEURS AMPLIFICATEURS SB-1900P GUIDE DE L'UTILISATEUR**



[www.visionaudiovisual.com/fr/techaudio/sb-1900p/](http://www.visionaudiovisual.com/fr/techaudio/sb-1900p/)

## DÉCLARATION DE CONFORMITÉ

Les produits Vision sont certifiés conformes à toutes les réglementations locales connues pour une certification OC. Vision s'engage à assurer que tous ses produits sont totalement compatibles avec l'ensemble des normes de certification applicables pour la vente dans la Communauté européenne et les autres pays participants.

Le produit décrit dans le présent manuel est conforme aux normes RoHS (directive UE 2002/95/CE) et DEEE (directive UE 2002/96/CE). À la fin de sa durée de vie, ce produit doit être renvoyé à son lieu d'achat en vue de son recyclage.

## AVERTISSEMENTS



**CAUTION**  
RISK OF ELECTRIC SHOCK  
DO NOT OPEN



### ATTENTION: RISQUE DE CHOC ÉLECTRIQUE NE PAS OUVRIR

ATTENTION : AFIN DE LIMITER LES RISQUES DE CHOC ÉLECTRIQUE, NE RETIREZ JAMAIS NI CAPOT NI CACHE ARRIÈRE. AUCUNE PIÈCE INTERNE N'EST RÉPARABLE PAR L'UTILISATEUR. POUR LA MAINTENANCE, ADRESSEZ-VOUS À UN PERSONNEL QUALIFIÉ.



Le symbole représentant un éclair avec une pointe de flèche dans un triangle équilatéral a pour objet d'avertir l'utilisateur de la présence dans le boîtier du produit de points sous tension dangereux et non isolés, susceptibles de constituer un risque de choc électrique pour les personnes.



Le point d'exclamation dans un triangle équilatéral est destiné à informer l'utilisateur qu'il trouvera dans la documentation accompagnant l'appareil des instructions importantes concernant son fonctionnement et sa maintenance.

AVERTISSEMENT : POUR LIMITER LES RISQUES D'INCENDIE OU DE CHOC ÉLECTRIQUE, N'EXPOSEZ JAMAIS CET APPAREIL À LA PLUIE OU À L'HUMIDITÉ.

Tous les produits sont conçus et importés au sein de l'UE par « Vision », une entreprise intégralement détenue par Azlan Logistics Ltd, société enregistrée en Angleterre sous le numéro 04625566 et sise à Lion House, 4 Pioneer Business Park, Clifton Moor, York, YO30 4GH. N° d'enregistrement DEEE : GD0046SY



## DÉCLARATION D'ORIGINE

Tous les produits Vision sont fabriqués en République populaire de Chine (PRC).

**UTILISEZ UNIQUEMENT DES PRISES CA DOMESTIQUES**

Le raccordement de l'unité à une prise fournissant une tension supérieure peut entraîner un risque d'incendie.

### **MANIPULEZ LE CÂBLE D'ALIMENTATION AVEC SOIN**

Ne débranchez pas la prise de la prise murale en tirant sur le câble ; tirez toujours sur la prise elle-même. Tirer sur le câble risquerait de l'endommager. Débranchez votre unité si vous prévoyez de ne pas l'utiliser pendant une durée prolongée. Ne placez pas de meubles ou d'autres objets lourds sur le câble, et évitez de faire tomber des objets lourds dessus. Ne faites pas de nœuds avec le câble d'alimentation. Vous risqueriez non seulement d'endommager le câble, mais également de causer un court-circuit entraînant un risque d'incendie important.

### **EMPLACEMENT D'INSTALLATION**

Évitez d'installer ce produit dans un endroit :

- mouillé ou humide
- directement exposé aux rayons du soleil ou proche d'appareils de chauffage
- extrêmement froid
- excessivement sujet aux vibrations ou à la poussière
- insuffisamment ventilé

N'exposez pas ce produit à des égouttements ou projections de liquide. **NE DÉPOSEZ PAS D'OBJETS REMPLIS DE LIQUIDES SUR OU À PROXIMITÉ DE CE PRODUIT !**

### **DÉPLACEMENT DE L'UNITÉ**

Avant de déplacer l'unité, veillez à retirer le câble d'alimentation de la prise murale et débranchez les câbles de connexion à d'autres unités.

### **SIGNES ALARMANTS**

Si vous détectez une odeur ou une fumée anormales, éteignez immédiatement ce produit et débranchez le câble d'alimentation. Contactez votre revendeur ou Vision.

### **EMBALLAGE**

Conservez tous les matériaux d'emballage. Ils sont essentiels au transport si l'unité doit être réparée.

**SI L'EMBALLAGE D'ORIGINE N'EST PAS UTILISÉ POUR RENVOYER L'UNITÉ AU CENTRE DE SERVICE, LES DOMMAGES SURVENUS LORS DU TRANSPORT NE SERONT PAS COUVERTS PAR LA GARANTIE.**

### **PUISSANCE EN WATTS**

Les normes de puissance « Program Power » et « RMS » sont les plus cohérentes car elles mesurent des niveaux moyens sur une période prolongée.

Pour les haut-parleurs intégrant un amplificateur, la charge (la résistance mesurée en ohms) est connue, et donc la valeur de puissance est déterminée.

### **MISES EN GARDE PARTICULIÈRES**

N'utilisez jamais ce produit à proximité d'un aéronef ou d'installations médicales. Il peut causer des interférences.

L'utilisation de ce produit dans les endroits suivants peut engendrer des sorties audio ou vidéo anormales :

- Produit installé sur des murs en béton
- Produit situé à proximité d'un réfrigérateur, d'un four micro-ondes ou d'autres objets en métal
- Une pièce encombrée où les signaux sans fil peuvent se retrouver bloqués

Ce produit a été testé et fabriqué pour satisfaire aux règles de sécurité de chaque pays ; cependant, il n'est garanti que des interférences ne se produiront pas dans certaines conditions. En cas d'interférences, ajustez la distance entre l'émetteur et le récepteur.

## **DÉCLARATION D'INTERFÉRENCES DE LA FEDERAL COMMUNICATION COMMISSION (COMMISSION FÉDÉRALE DES COMMUNICATIONS)**

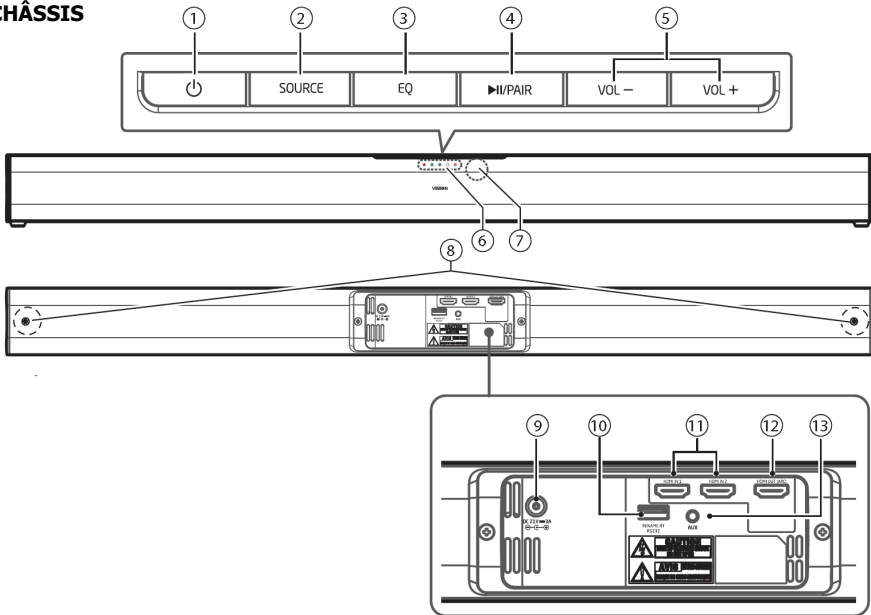
Cet équipement a été testé et s'est avéré satisfaisant aux limites fixées pour un appareil de classe B, conformément au Titre 15 des règles de la FCC (Federal Communication Commission). Ce équipement génère, utilise et peut émettre une énergie de radio fréquences et peut, dans des situations extrêmes, causer des interférences nuisibles aux radio communications. Si cela se produit, l'utilisateur doit essayer de :

- Changer l'antenne réceptrice de place
- Augmenter la distance séparant l'équipement du récepteur
- Connecter l'équipement à un autre circuit d'alimentation.

## **DÉCLARATION D'EXPOSITION À DES RAYONNEMENTS :**

Cet équipement est conforme aux limites d'exposition à des rayonnements IC fixées pour un environnement non contrôlé. Cet équipement doit être installé et utilisé en maintenant une distance minimale de 20 cm entre le radiateur et votre corps.

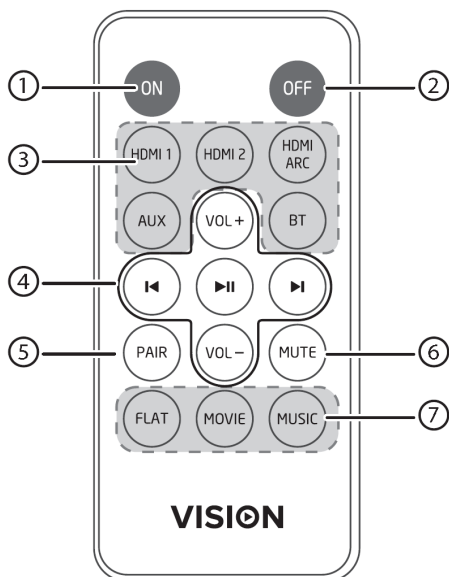
## CHÂSSIS



1. Bouton de mise en veille
2. Bouton SOURCE
3. Bouton égaliseur EQ
4. Bouton PLAY/PAIR (Lecture/appairage)
  - Démarrer ou suspendre la lecture sur l'appareil source Bluetooth.
  - Appuyer et maintenir enfoncé pour activer la fonction d'appairage en déconnectant l'appareil actuellement appairé.
5. Boutons VOL+/VOL-. Lorsqu'une source BT est appairée et active, les boutons de volume permettent de régler le volume de la barre de son. Le volume du dispositif peut également être réglé de son côté.
6. Témoins DEL à l'avant
  - Rouge VEILLE
  - Vert AUX
  - Bleu Bluetooth
  - Blanc HDMI 1
  - Blanc clignotant HDMI 2
  - Orange HDMI ARC
7. Récepteur à distance d'infrarouge
8. Vis pour support mural
9. Prise de courant CC
10. Prise USB-A pour modifier le nom du Bluetooth, la broche et le contrôle RS-232
11. Entrées HDMI 1 et 2
12. Sortie HDMI ARC
13. Entrée AUX minijack 3,5 mm

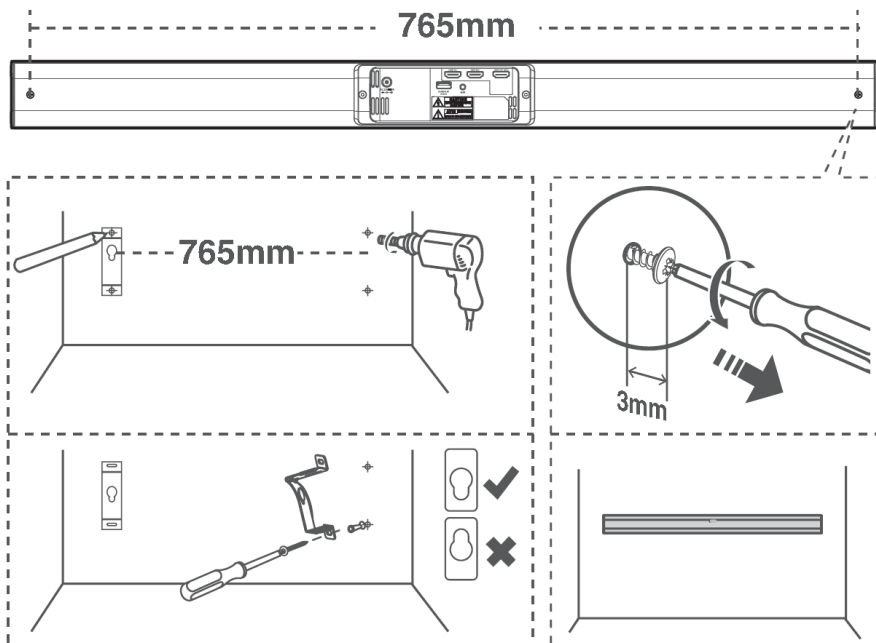
## TÉLÉCOMMANDE

1. Marche
2. Arrêt
3. Sélection de l'entrée
4. VOL : augmentation/diminution du volume  
PLAY (Lecture) : en mode Bluetooth, commande le dispositif source
5. PAIR : active la fonction d'appairage et déconnecte le dispositif actuellement appairé.
6. MUTE : coupure du son
7. Boutons égaliseur EQ





## INSTALLATION



## MISE EN VEILLE AUTOMATIQUE

Cette appareil équipé de la mise en veille automatique est conforme à la norme ErP (directive 2009/125/CE relative à la réduction de la consommation énergétique).

- L'arrêt intervient au bout de 15 minutes.
- L'appareil se remet en marche automatiquement dès qu'un signal est détecté.
- Cette fonctionnalité est basée sur la sensibilité des entrées. Assurez-vous que le volume est activé sur l'appareil source.

## DÉSACTIVER

Mettez l'appareil en VEILLE puis appuyez sur le bouton V+ jusqu'à ce que le voyant bleu se mette à clignoter. La DEL bleue clignotera lentement une fois.

Pour l'activer, procédez de la même manière. La DEL bleue clignotera rapidement trois fois.

## MISE HORS TENSION PROVISOIRE

Si l'alimentation est coupée puis rétablie, l'appareil revient automatiquement aux réglages précédents.

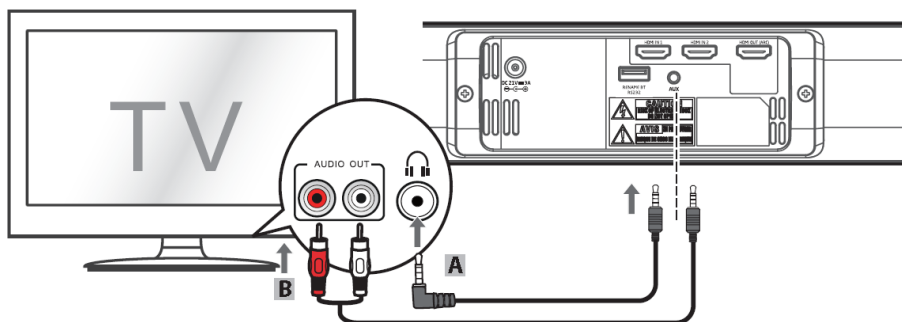
## EQ

Appuyer sur ce bouton pour faire défiler les modes suivants :

- Musique
- Films
- Paroles

## ENTRÉE MINIJACK (FICHE DE CASQUE ÉCOUTEUR)

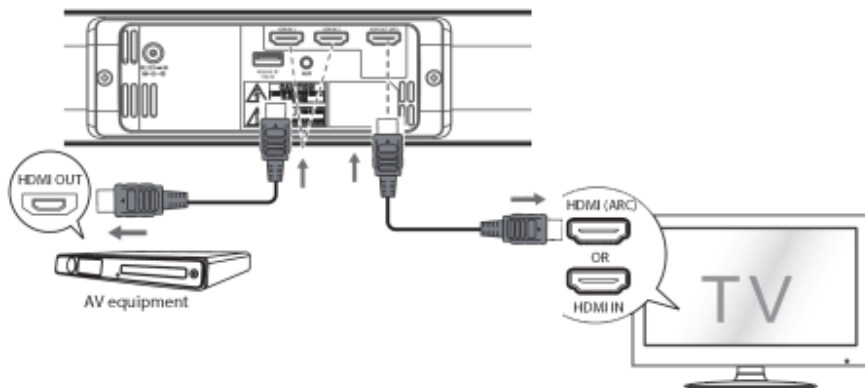
Branchez l'appareil source comme illustré (câbles non inclus)



Raccordée comme sur l'illustration, la télécommande du téléviseur peut servir à régler le volume.  
Remarque : les téléviseurs n'ont pas tous de prise jack.

## ENTRÉES HDMI

Branchez l'appareil source comme illustré (câbles non inclus)



### ***ENTRÉE HDMI ARC (Audio Return Channel, pour canal de retour audio)***

Raccordez l'**ENTRÉE** ARC de la SB-1900P à la **SORTIE** ARC de l'écran.

Les enceintes de l'écran ne fonctionnent plus.

La télécommande de l'écran commande désormais la sortie de la barre de son.

Remarque : les écrans n'ayant pas tous cette sortie ARC, vous devrez peut-être activer cette fonctionnalité dans le menu.

### ***ENTRÉES HDMI STANDARD***

Connectez la ou les sources aux entrées 1 et 2.

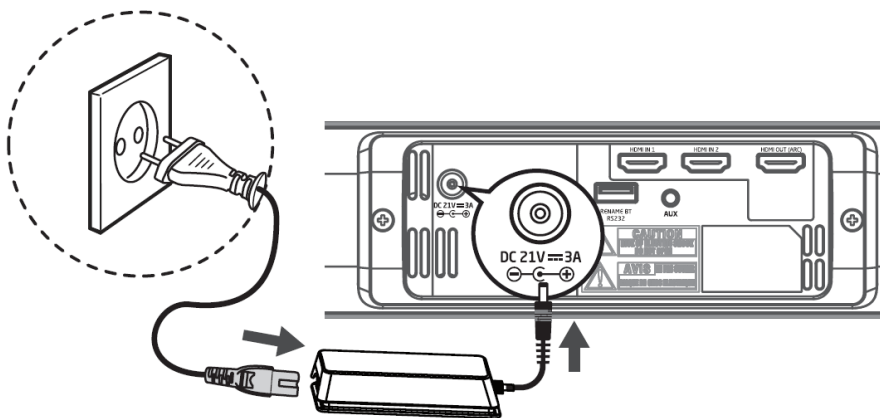
Branchez la sortie HDMI de la SB-1900P à l'entrée HDMI classique de l'écran

Remarque : en l'absence de son et si les indicateurs d'état clignotent rapidement, vous devrez peut-être activer la sortie du signal PCM sur votre écran.

## BRANCHEMENT DE L'ALIMENTATION

Avant la mise sous tension, assurez-vous d'avoir effectué tous les autres branchements.

Déroulez complètement le câble CC. Raccordez l'autre extrémité du câble d'alimentation à la prise à l'arrière de la barre de son, puis branchez la prise du secteur.



## ENTRÉE BLUETOOTH

Lors de la première connexion, vous devrez appairer votre appareil. Dans cet exemple nous appairons un téléphone.

1. **APPUYEZ SUR LE BOUTON SOURCE POUR ACTIVER L'ENTRÉE BT** Le voyant bleu se met à clignoter
2. **SUR LE TÉLÉPHONE, ALLEZ DANS PARAMÈTRES/BLUEOOTH** La SB-1900P apparaîtra dans la liste. Si ce n'est pas le cas, elle est peut-être déjà appairé à un autre dispositif (le voyant bleu aura alors cessé de clignoter). Appuyez sur le bouton PAIR de la télécommande, ou appuyez et maintenez enfoncé le bouton PAIR de l'enceinte, jusqu'à ce que l'indicateur bleu se mette à clignoter.
3. **SAISISSEZ LE MOT DE PASSE 0000** (quatre zéros). Quand l'appairage est effectué le voyant bleu reste allumé en permanence.

Remarques :

- Le rayon d'action est d'environ 8 mètres (26 pi)
- Si le signal est faible et que la liaison décroche, la barre de son revient en mode d'appairage.
- Ce produit utilise la version 4.2 de Bluetooth. Le fonctionnement n'est pas garanti pour tous les appareils source.
- Ce produit ne peut s'appairer qu'avec une source à la fois.
- Si aucun appareil source n'est appairé au bout de 2 minutes, la source précédente est réactivée.
- Ce dispositif prend en charge A2DP (Advanced Audio Distribution Profile) et AVRCP (Audio Video Remote Control Profile)

## RENOMMER LE BLUETOOTH

1. Créez un fichier texte sur votre ordinateur, nommez-le **ubt\_cfg.txt** avant de le placer dans le répertoire racine d'une clé USB



2. Ouvrez le fichier et copiez le contenu suivant :

A screenshot of a text editor window titled 'ubt\_cfg.txt'. The window has a menu bar with 'File', 'Edit', 'Format', 'Options', and 'Help'. The text inside the window is:

```
RS UDISK FOR CONFIG SETTING:
BT_NAME:SB-1900P_1822 Room
PIN_CODE:5678
#
```

The text '1822 Room' and '5678' are highlighted in red in the original image.

Remarque : seul le texte en rouge peut être modifié. La longueur maximale est de 32 caractères. Si la broche reste non attribuée, ou si un caractère alphabétique est utilisé, le dispositif considérera qu'il n'y a pas de broche.

3. Débranchez la barre de son de son alimentation
4. Appuyez et maintenez enfoncé le bouton EQ
5. Rebranchez l'alimentation. Toutes les DEL sources clignotent 2 fois pour indiquer le mode de renommage du Bluetooth
6. Insérez la clé USB. Elle mettra automatiquement le nom à jour.  
Pour confirmer la mise à jour du **nom**, la DEL d'entrée du Bluetooth clignote rapidement **1 fois**  
Pour confirmer la mise à jour du **nom et de la broche**, la DEL d'entrée du Bluetooth clignote **3 fois**

## RS-232

RS-232 est disponible sur le port USB.

Branchez l'adaptateur RS-232 inclus sur le port USB. D'autres USB peuvent ne pas fonctionner avec les adaptateurs RS-232.

Le brochage est le suivant :

Broche	2	3	5
Signal	TXD	RXD	GND

La configuration du brochage permet à un ordinateur d'exécuter un programme de terminal en série (à l'image d'Hyper Terminal) pour communiquer avec la barre de son à l'aide d'un câble série RS-232 direct avec 9 broches (DB9).

Ne PAS utiliser de câble de type « simulateur de modem » pour une connexion à l'ordinateur.

Configuration de la communication :

Débit	Bits de données	Parité	Bit d'arrêt	Contrôle de flux
19200	8	Aucune	1	Aucune

### Structure de commande :

Chaque commande commence par un dièse # (ASCII 0x23), suivi d'un code de commande à 3 caractères.

Les paramètres éventuels pour la commande sont donnés au format texte, séparés par un **espace** (ASCII 0x20) du code de commande.

Le dièse # ne doit jamais apparaître dans les paramètres.

Un retour chariot (ASCII 0x0d) indique la fin de la commande.

Un saut de ligne (ASCII 0x0a) peut éventuellement suivre le retour chariot, mais sera ignoré.

En règle générale, les commandes ne peuvent dépasser 20 octets, octets de début et de fin de la commande compris.

Structure de la commande :

<Commande> = <Début de la commande><Code de la commande>[<sp><Paramètres>]<Fin de la commande>

<Début de la commande> = #, ASCII 0x23

<Code de la commande> = <byte><byte><byte>

<sp> = espace, ASCII 0x20

<Paramètres> = spécifique à la commande

<Fin de la commande> = CR, ASCII 0x0d LF, ASCII 0x0a

## Structure de la réponse :

Dès qu'elle reçoit une commande, la barre de son l'exécute et renvoie une réponse.

- La réponse commence par un arobase « @ » (ASCII 0x23), suivi du code de la commande d'origine, d'un espace (ASCII 0x20) et du code de résultat : « OK » ou « ER ».
- Les paramètres ou messages supplémentaires éventuels sont donnés au format texte, séparés par un espace (ASCII 0x20) du code de résultat.
- L'arobase « @ » (ASCII 0x40) ne doit jamais apparaître dans les paramètres ou dans le message.
- Un retour chariot (ASCII 0x0d) indique la fin de la réponse. En règle générale, les réponses ne peuvent excéder 25 octets, octets du début et de la fin de réponse compris.
- Structure de la réponse :

<Réponse> = <Début de la réponse><Code de la commande><sp><Code du résultat>[<sp><Paramètres>]<Fin de la réponse>

<Début de la réponse> = @, ASCII 0x40

<Code de la commande> = <byte><byte><byte>

<Code du résultat> = OK|ER

<sp> = espace, ASCII 0x20

<Paramètres> = spécifique à la commande

<Fin de la réponse> = CR, ASCII 0x0d



## **Structure des messages de mise à jour de l'état :**

Si le mode « verbose » est défini sur 2 ou 3, la barre de son envoie automatiquement des messages de mise à jour de l'état. Ces messages ne constituent pas une réponse à une quelconque commande. Le changement d'état découlant des commandes de la commande RS232, des boutons du panneau avant, de la télécommande infrarouge ou une avancée dans la restitution peut déclencher des messages de mise à jour d'état.

Structure des messages de mise à jour d'état :

<Mise à jour> = <Début de la mise à jour><Code d'état>[<sp><Paramètres>]<Fin de la mise à jour>

<Début de la mise à jour> = @, ASCII 0x40

<Code d'état> = <byte><byte><byte>

<sp> = espace, ASCII 0x20

<Paramètres> = status-specific

<Fin de la réponse> = CR, ASCII 0x0d

## **Séquence de la commande :**

Les commandes sont exécutées selon l'ordre de réception. Le logiciel client doit attendre la réponse de la barre de son avant d'envoyer la commande suivante.

Si la barre de son reçoit une nouvelle commande avant d'exécuter la commande précédente, elle peut exécuter les commandes dans l'ordre mais aussi oublier la commande précédente, en fonction de son processus interne. Le logiciel client doit éviter si possible d'envoyer plusieurs commandes successives sans attendre de réponse.

Si vous ne recevez pas de réponse de la barre de son dans les 10 secondes suivant l'envoi de la commande, vous pouvez considérer que la commande ou la réponse a été perdue pendant la transmission et renvoyer la commande.

## A. Commandes de la télécommande

Les commandes suivantes sont reliées aux boutons de la télécommande

Aucun paramètre n'est nécessaire pour ces commandes. La barre de son traite ces commandes comme si elle lui venaient de la télécommande IR.

Code de commande	Touche de la télécommande	Fonction	Exemple de réponse
#POW 23 50 4F 57 0D	POWER	Commutation entre les modes VEILLE et MARCHÉ	"@ OK ON/OFF" ON Démarrer OFF Arrêter
#PON 23 50 4F 4E 0D	ON	Mode Discret activé	"@ OK ON" ON Démarrer
#POF 23 50 4F 46 0D	OFF	Mode Discret désactivé	"@ OK OFF" OFF Arrêter
#VUP 23 56 55 50 0D	VOL +	Augmentation du volume	"@ OK xx" STE VOL xx
#VDN 23 56 44 4E 0D	VOL -	Baisse du volume	"@ OK xx" STE VOL xx
#MUT 23 4D 55 54 0D	MUTE	Coupure du son	"@ OK MUT" STE MUTE
#SRC 23 53 52 43 0D	SOURCE	Fonction de basculement	"@ OK AUX/ABT/CAO/OPT/ARC/HD1/HD2/STANDBY" STE SOURCE xxx
#NEQ 23 4E 45 51 0D	EQ	Basculer sur la configuration prédéfinie EQ	"@ OK MUST" "@ OK MOVI" "@ OK NEWS" "@ OK FLAT" STE EQ xxx
#PLA 23 50 4C 41 0D	PLAY	Démarrage de la lecture	"@ OK" MUSIC PLAY
#PRE 23 50 52 45 0D	PREV	Retour au menu précédent	"@ OK"
#NXT 23 4E 58 54 0D	NEXT	Passage au menu suivant	"@ OK"
#PAR 23 50 41 52 0D	PAIR	Appairage Bluetooth	"@ OK"

## Commandes en entrée

Note de septembre 2019 : une mise à jour du firmware peut être requise pour que ces codes fonctionnent

#SSR AUX	23 53 53 52 20 41 55 58 0D	AUX
#SSR BT	23 53 53 52 20 42 54 0D	BT
#SSR ARC	23 53 53 52 20 41 52 43 0D	ARC
#SSR HD1	23 53 53 52 20 48 44 31 0D	HDMI1
#SSR HD2	23 53 53 52 20 48 44 32 0D	HDMI2
#SEQ MOV	23 53 45 51 20 4D 4F 56 0D	MOVIE
#SEQ MUS	23 53 45 51 20 4D 55 53 0D	MUSIC
#SEQ NEW	23 53 45 51 20 4E 45 57 0D	NEWS

## B. Commandes de sollicitations

Ce groupe de commandes envoie des sollicitations à la barre de son. La barre de son répond en fonction de son état actuel.

Code de commande	Fonction	Exemple de réponse
#QVM 23 51 56 4D 0D	Requête du mode détaillé	"@ OK 0" mode détaillé 0 "@ OK 1" mode détaillé 1 "@ OK 2" mode détaillé 2 "@ OK 3" mode détaillé 3
#QPW 23 51 50 57 0D	Requête de l'état de l'alimentation	"@ OK ON" son activé "@ OK OFF" son désactivé
#QVR 23 51 56 52 0D	Requête de la version du firmware	"@ OK 0 xx" Version 0 xx
#QVL 23 51 56 4C 0D	Requête du volume	"@ OK 0-32 " son en fonctionnement vol xx "@ OK MUTE" son coupé
#QPL 23 51 50 4C 0D	Requête de l'état de la lecture	"@ OK PLAY " En cours de lecture
#QRP 23 51 52 50 0D	Requête du mode de répétition	"@ OK REPF "
#QSR 23 51 53 52 0D	Requête de la source en entrée	"@ OK AUX/ABT/CAO/OPT/ARC/HD1/HD2/STANDBY " Source active xx
#QEQ 23 51 45 51 0D	Requête de l'égalisation pré-réglée	"@ OK MUST" "@ OK MOVI" "@ OK NEWS" "@ OK FLAT" Égalisation active xx

### C. Commandes avancées

Ce groupe de commandes indique à la barre de son d'effectuer une opération avancée en une seule étape.

Code de commande	Paramètres	Fonction	Exemple de réponse
#SVM 23 53 56 4D X 0D	30 Terminer le mode détaillé 31 Aucune fonction 32 Mise à jour en cas de modification des paramètres concernés 33 Mise à jour le moment venu	Définir le mode détaillé	"@ OK "
#SVL	0 – 32 MUTE	Définir le volume p. ex. #SVL 9 = VOLUME 9 23 53 56 4C 20 39 0D  p.ex. #SVL MUT = COUPURE DU SON 23 53 56 4C 20 4D 55 54 0D	OK 32 OK MUTE
#SRP	ALL CH OFF RND	Tout répéter Répéter le chapitre Répétition désactivée Aléatoire	OK RPTA OK RPT1 OK RPTF OK RPTR
#SSR 23 53 53 52 X 0D	41 55 58 Choix de la source AUX 42 54 Choix de la source BT 41 52 43 Choix de la source ARC 48 44 31 Choix de la source HDMI 1 48 44 32 Choix de la source HDMI 2	Choisir la source en entrée	"@ OK " SET Source OK
#SEQ 23 53 45 51 X 0D	4D 4F 56 Choix EQ MOVIE 4D 55 53 Choix EQ MUSIC 4E 45 57 Choix EQ NEWS	Choix de l'égalisation	"@ OK " SET EQ OK
#RST		Commande de réinitialisation - Vider toutes les mémoires tampons de commandes, ne pas attendre les commandes en attente ou en cours d'exécution.	

		Recommencer depuis le début.	
#QVL 23 53 56 76 X 0D	Voir dans le tableau ci-dessous les détails des paramètres de volume	Définir le volume	"@ OK " SET VOL OK

## Commandes de volume

VOL (X)	hex
0-9	30-39
10	31 30
11	31 31
12	31 32
13	31 33
14	31 34
15	31 35
16	31 36
17	31 37
18	31 38
19	31 39
20	32 30
21	32 31
22	32 32
23	32 33
24	32 34
25	32 35
26	32 36
27	32 37
28	32 38
29	32 39
30	32 30
31	32 31
32	33 32
MUT	4D 55 54

## **Messages de mise à jour d'état :**

Les messages de mise à jour d'état suivants sont automatiquement envoyés par la barre de son lorsque le mode « verbose » est défini sur 2 ou 3.

### **UPW** - Mise à jour de l'état de l'alimentation :

Envoyé lorsque l'alimentation est activée/désactivée. Paramètres possibles :  
2 caractères

ON – L'unité est sous tension

OFF – L'unité est hors tension

Exemple : UPW ON

### **USR** - Mise à jour de l'état fonctionnel :

Envoyé lorsque la fonction est activée. Paramètres possibles :3 caractères

AUX – Entrée auxiliaire

OPT – Entrée optique

COA – Entrée coaxiale

ABT – Entrée Bluetooth

ARC – Entrée HDMI ARC

Exemple : USR ABT

### **UPL** - Mise à jour de l'état de lecture

Envoyé lorsqu'il y a un changement dans l'état de lecture. Paramètres  
possibles :4 caractères

PLAY – La lecture démarre

PAUS – La lecture est en pause

STOP – La lecture est arrêtée

Exemple : UPL PLAY

### **URP** – Mise à jour de l'état de la répétition de la lecture

Envoyé lorsqu'il y a un changement dans l'état de la répétition de la lecture.

Paramètres possibles : 4 caractères

RPTA – Tout répéter

RPT1 – Répéter le chapitre

RPTF – Répétition désactivée

RPTR – Aléatoire

Exemple : UPR RPTA

### **UVL** - Mise à jour du volume :

Envoyé lorsqu'il y a un changement pour l'état du volume ou la coupure du son.

Paramètres possibles : 3 caractères

MUT – La coupure du son est activée

000 .. 100 – Volume actuel. (Également envoyé si la coupure du son est



annulée.) Exemple : UVL 068

**UEQ** – Mise à jour de l'état de l'EQ prédéfini

Envoyé lorsqu'il y a un changement de l'état de l'EQ par défaut. Paramètres possibles : 4 caractères

MUSI – MUSIC EQ se met en marche

MOVI – MOVIE EQ se met en marche

FLAT – FLAT EQ se met en marche

NEWS – NEWS EQ se met en marche

GAME – GAME EQ se met en marche

Exemple : UEQ MUSI.

VISION 

# **ALTOPARLANTI ELETTRICI SB-1900P**

## **MANUALE DI ISTRUZIONI**



[www.visionaudiovisual.com/it/techaudio/sb-1900p/](http://www.visionaudiovisual.com/it/techaudio/sb-1900p/)

## DICHIARAZIONE DI CONFORMITÀ

Laddove necessario, i prodotti Vision sono certificati e conformi a tutti i regolamenti locali noti relativi allo standard di "certificazione CB". Vision si impegna a garantire la completa conformità di tutti i prodotti con tutti gli standard di certificazione applicabili per la vendita nell'Unione Europea e in altri paesi aderenti. Il prodotto descritto nel presente manuale di istruzioni è conforme alle norme RoHS (direttiva UE 2002/95/CE) e WEEE (direttiva UE 2002/96/CE). Al termine della sua vita utile questo prodotto deve essere riconsegnato nel punto vendita in cui è stato acquistato in modo che venga riciclato.

## AVVERTENZE



### ATTENZIONE: PERICOLO DI SCOSSE ELETTRICHE NON APRIRE

ATTENZIONE: PER RIDURRE IL PERICOLO DI SCOSSE ELETTRICHE, NON RIMUOVERE IL COPERCHIO (O IL PANNELLO POSTERIORE). ALL'INTERNO NON SONO PRESENTI PARTI RIPARABILI DALL'UTENTE. PER LA MANUTENZIONE RIVOLGERSI A PERSONALE TECNICO QUALIFICATO.



Il simbolo del fulmine con la punta a freccia all'interno di un triangolo equilatero ha la funzione di mettere in guardia l'utente sulla presenza, nel contenitore del prodotto, di "tensioni pericolose" non isolate di entità tale da comportare il pericolo di scosse elettriche per le persone.



Il punto esclamativo all'interno di un triangolo equilatero ha la funzione di richiamare l'attenzione dell'utente sulla presenza di importanti istruzioni relative al funzionamento e alla manutenzione (assistenza tecnica) nell'opuscolo fornito in dotazione con l'apparecchio.

ATTENZIONE: PER RIDURRE IL PERICOLO DI INCENDIO O SCOSSE ELETTRICHE, NON ESPORRE L'APPARECCHIO ALLA PIOGGIA O ALL'UMIDITÀ.

Tutti i prodotti sono progettati e importati nell'Unione Europea da Vision, società interamente controllata da Azlan Logistics Ltd., registrata in Inghilterra al n. 04625566 con sede legale in Lion House, 4 Pioneer Business Park, Clifton Moor, York, YO30 4GH. Registrazione WEEE: GD00465Y



## DICHIARAZIONE DI ORIGINE

Tutti i prodotti Vision sono fabbricati nella Repubblica Popolare Cinese (RPC).

## UTILIZZARE SOLO PRESE AC DELLA RETE DOMESTICA

Il collegamento dell'unità a una presa di corrente con voltaggio superiore può comportare pericolo d'incendio.

## MANEGGIARE CON CURA IL CAVO DI ALIMENTAZIONE

Non tirare il cavo per scollegare la spina dalla presa AC; afferrare direttamente la spina per scollegarla. Tirando il cavo si possono causare danni al cavo stesso. Se non si prevede di utilizzare l'unità per un lungo periodo, staccare la spina. Non posizionare elementi di arredo o altri oggetti pesanti sul cavo ed evitare di farli cadere sul cavo. Non annodare il cavo di alimentazione. In caso contrario non solo potrebbe danneggiarsi ma potrebbe anche causare un cortocircuito con conseguente pericolo d'incendio.

### **LUOGO DI INSTALLAZIONE**

Non installare questo prodotto in luoghi caratterizzati dalle seguenti condizioni:

- Luoghi umidi o bagnati
- Luoghi esposti alla luce diretta del sole o in prossimità di fonti di calore
- Luoghi estremamente freddi
- Luoghi soggetti a vibrazioni eccessive e alla presenza polvere
- Luoghi poco ventilati

Non esporre questo prodotto a gocce o schizzi. **NON POSIZIONARE OGGETTI PIENI DI LIQUIDI SOPRA O VICINO A QUESTO PRODOTTO!**

### **SPOSTAMENTO DELL'UNITÀ**

Prima di spostare l'unità assicurarsi di aver disinserito il cavo di alimentazione dalla presa AC e di aver scollegato i cavi di collegamento con altre unità.

### **SEGNALI DI PERICOLO**

Se si rileva la presenza di un odore insolito o di fumo, disattivare immediatamente il prodotto e scollegare il cavo di alimentazione. Contattare il rivenditore o Vision.

### **IMBALLAGGIO**

Conservare tutto il materiale d'imballaggio. Questo materiale è essenziale per spedire l'unità in caso di riparazione.

**QUALORA NON SI UTILIZZI L'IMBALLAGGIO ORIGINALE PER LA RESTITUZIONE DELL'UNITÀ AL CENTRO DI ASSISTENZA, LA GARANZIA NON COPRIRÀ GLI EVENTUALI DANNI AVVENUTI DURANTE IL TRASPORTO.**

### **WATT**

Gli standard più affidabili per misurare i watt sono "Program Power" e "RMS", in quanto sono in grado di determinare i livelli sostenuti medi.

Nel caso in cui gli altoparlanti integrino gli amplificatori, il carico (resistenza misurata in ohm) è noto e la potenza in watt è fissa.

### **AVVERTENZE SPECIALI**

Mai utilizzare questo prodotto vicino a un aeromobile o a una struttura medica, poiché può causare interferenze.

L'uso del prodotto nei luoghi seguenti può causare un'uscita video e audio anomala:

- Prodotto installato in muri di cemento
- Prodotto situato vicino a un frigorifero, forno a microonde o altri oggetti metallici
- Una sala ingombra dove il segnale wireless può essere bloccato

Questo prodotto è stato testato e prodotto in conformità con le norme di sicurezza di ogni Paese, tuttavia non vi sono garanzie che non si verifichino interferenze in determinate situazioni. In caso di interferenze, regolare la distanza tra il trasmettitore e il ricevitore.

**DICHIARAZIONE FCC (FEDERAL COMMUNICATIONS COMMISSION INTERFERENCE)**

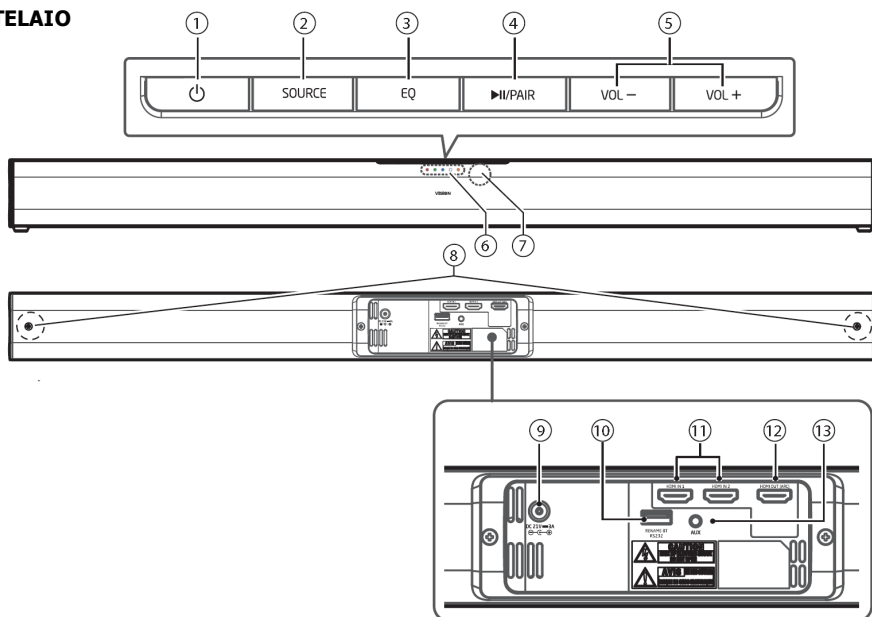
La presente apparecchiatura è stata controllata e riconosciuta conforme ai limiti di un dispositivo digitale di Classe B ai sensi della Parte 15 delle Norme FCC. Questa apparecchiatura genera, utilizza e può irradiare energia a radiofrequenza e, in casi estremi, può causare interferenze dannose alle comunicazioni radio. In tal caso, provare a:

- riposizionare l'antenna ricevente
- aumentare la distanza tra l'apparecchiatura e il ricevitore
- collegare l'apparecchiatura a un diverso circuito di alimentazione.

**DICHIARAZIONE SULL'ESPOSIZIONE A RADIAZIONI:**

Questa apparecchiatura è conforme ai limiti di esposizione alle radiazioni IC stabiliti per un ambiente non controllato. Questa apparecchiatura deve essere installata e utilizzata con una distanza minima di 20 cm tra l'elemento radiatore e il corpo.

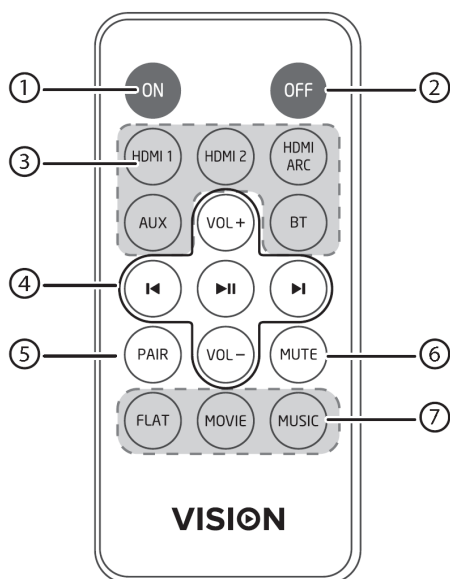
## TELAIO



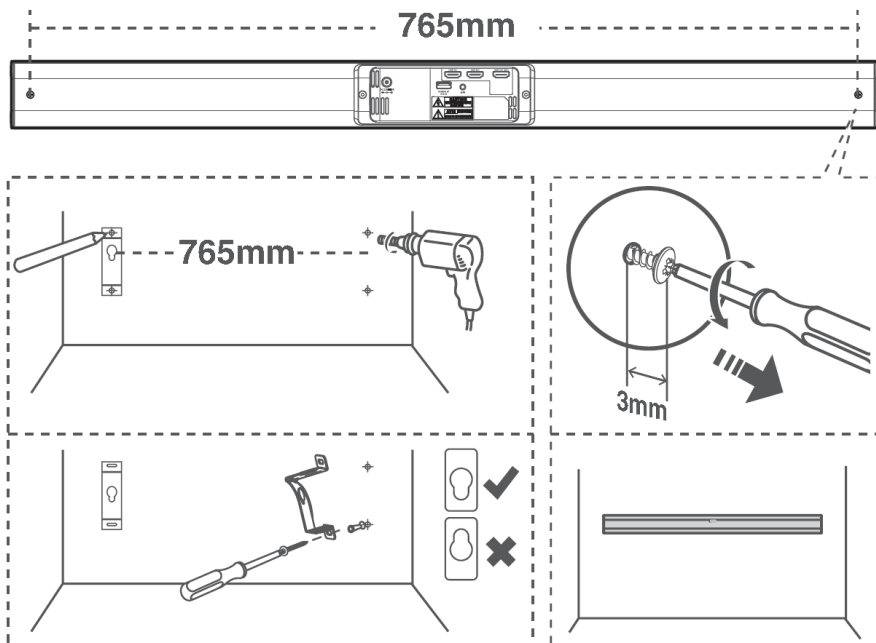
1. Pulsante standby
2. Pulsante SOURCE (SORGENTE)
3. Pulsante equalizzatore EQ
4. Pulsante PLAY/PAIR (RIPRODUCI/ASSOCIA)
  - Riproduzione o messa in pausa dei contenuti sul dispositivo sorgente Bluetooth.
  - Tenere premuto per attivare la funzione di associazione e disconnettere il dispositivo già associato.
5. Pulsanti VOL+/VOL-. Se è associata una sorgente BT e questa è attiva, i pulsanti del volume regolano il volume della soundbar. Il volume del dispositivo può anche essere regolato separatamente.
6. Indicatori LED anteriori
  - Rosso STANDBY
  - Verde AUX
  - Blu Bluetooth
  - Bianco HDMI 1
  - Bianco lampeggiante HDMI 2
  - Arancione HDMI ARC
7. Ricevitore telecomando IR
8. Viti per staffa da parete
9. Presa di alimentazione CC
10. Presa USB-A per modificare il nome e il pin del BT e per il controllo RS-232
11. Ingressi HDMI 1 e 2
12. USCITA HDMI ARC
13. Ingresso mini-jack AUX da 3,5 mm

## TELECOMANDO

1. On
2. Off
3. Selezione ingresso
4. VOL consente di aumento e ridurre il volume  
PLAY, se in modalità BT, controlla il dispositivo sorgente
5. PAIR attiva la funzione di associazione e disconnette il dispositivo già associato.
6. Modalità silenziosa
7. Pulsanti equalizzatore EQ



## INSTALLAZIONE



## STANDBY AUTOMATICO

Questo prodotto offre la funzione di standby automatico ed è conforme alle norme ErP (direttiva 2009/125/CE sulla riduzione del consumo energetico).

- L'unità si spegne dopo 15 minuti di inattività.
- Si accende automaticamente quando rileva un segnale.
- Questa funzione è basata sulla sensibilità in ingresso. Verificare che il volume del dispositivo sorgente sia sufficientemente alto.

## DISATTIVAZIONE

Mettere in STANDBY, quindi tenere premuto il pulsante V+ finché l'indicatore blu non lampeggia. Il LED blu lampeggerà una volta lentamente.

Ripetere la stessa operazione per attivare la funzione. Il LED blu lampeggerà tre volte rapidamente.



## RIATTIVAZIONE AUTOMATICA

Se l'alimentazione di rete viene interrotta e poi ripristinata, il prodotto si riattiva automaticamente con le impostazioni precedenti.

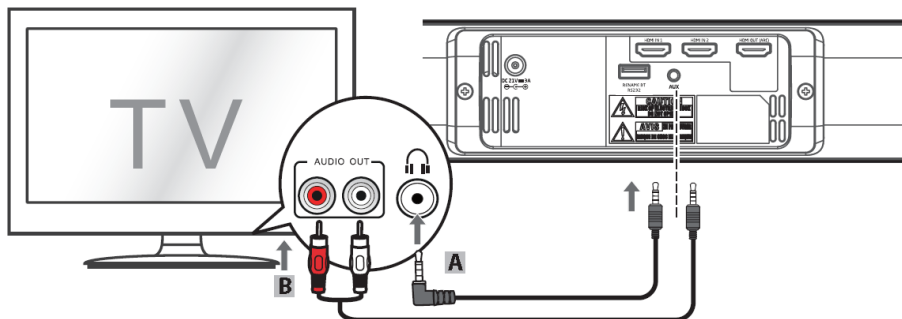
## EQ

Premendo questo pulsante è possibile alternare tra:

- Musica
- Film
- Voce

## INGRESSO MINI-JACK (JACK CUFFIE)

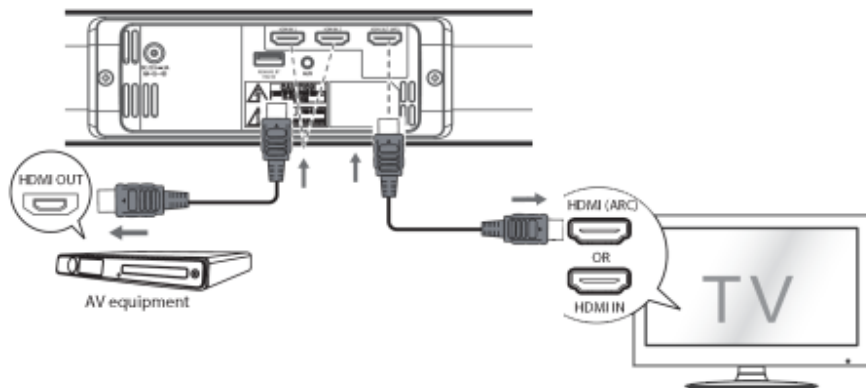
Collegare il dispositivo sorgente come mostrato (cavi non inclusi)



Utilizzando il telecomando della TV come mostrato è possibile regolare il volume. Nota: non tutti i televisori sono dotati di jack per le cuffie.

## INGRESSI HDMI

Collegare il dispositivo sorgente come mostrato (cavi non inclusi)



### ***INGRESSO HDMI ARC (Audio Return Channel)***

Collegare l'**INGRESSO** ARC dell'unità SB-1900P all'**USCITA** ARC dello schermo.  
Gli altoparlanti dello schermo saranno disattivati.  
Il telecomando dello schermo controlla ora l'uscita della soundbar.

Nota: non tutti gli schermi dispongono di uscita ARC e potrebbe essere necessario attivarla nel menu.

### ***INGRESSI HDMI STANDARD***

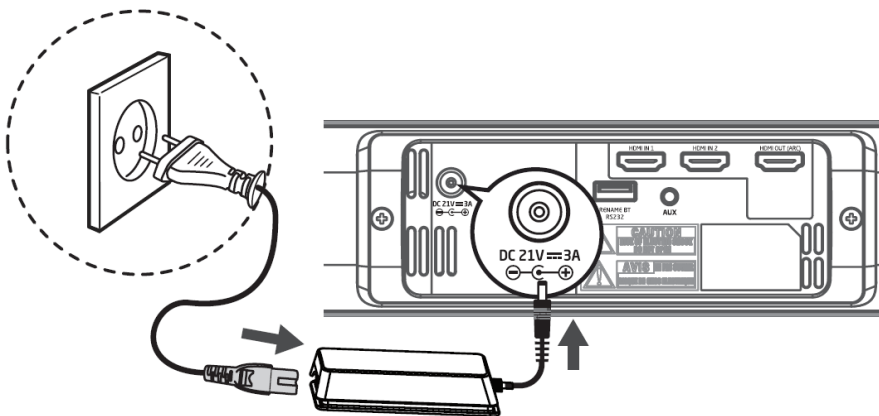
Collegare le sorgenti agli ingressi 1 e 2.  
Collegare l'uscita HDMI dell'unità SB-1900P all'ingresso HDMI normale dello schermo

Nota: se non vengono emessi suoni e le spie di stato lampeggiano rapidamente, potrebbe essere necessario attivare l'uscita del segnale PCM sul dispositivo sorgente.

## COLLEGAMENTO DELL'ALIMENTAZIONE

Prima di collegare l'alimentazione, assicurarsi di aver effettuato tutti gli altri collegamenti.

Srotolare completamente il cavo CC. Collegare l'estremità del cavo di alimentazione alla presa sul retro della soundbar, quindi collegare la spina di rete alla presa di rete.



## INGRESSO BLUETOOTH

Quando ci si connette per la prima volta è necessario associare il dispositivo. In questo esempio assoceremo un telefono.

1. **PREMERE SOURCE (SORGENTE) PER ATTIVARE L'INGRESSO BT** - L'indicatore blu inizierà a lampeggiare
2. **SUL TELEFONO, ACCEDERE A IMPOSTAZIONI/BLUEOOTH** - L'SB-1900P comparirà nell'elenco dei dispositivi raggiungibili. Se non è presente, potrebbe essere già associato a un altro dispositivo (in tal caso l'indicatore blu smette di lampeggiare). Premere il pulsante **PAIR (ASSOCIA)** del telecomando o tenere premuto il pulsante **PAIR (ASSOCIA)** dell'altoparlante finché la spia blu non comincia a lampeggiare.
3. **INSERIRE LA PASSWORD 0000** (quattro zeri). Quando l'associazione viene eseguita, l'indicatore blu rimane acceso senza lampeggiare.

### Note:

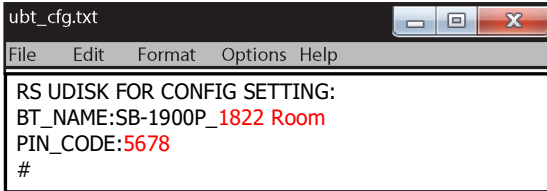
- la portata operativa è di circa 8 metri (26 piedi)
- Se la potenza del segnale è debole e la connessione si interrompe, la soundbar torna alla modalità di associazione.
- Questo prodotto è dotato di Bluetooth versione 4.2. Il funzionamento non è garantito con qualsiasi dispositivo sorgente.
- Questo prodotto non può essere associato a più sorgenti contemporaneamente.
- Se non viene associato alcun dispositivo sorgente entro 2 minuti, verrà ripristinata la sorgente precedente.
- Questo dispositivo supporta A2DP (Advanced Audio Distribution Profile) e AVRCP (Audio Video Remote Control Profile)

## COME RINOMINARE IL BLUETOOTH

1. Creare un file di testo sul PC di nome **ubt\_cfg.txt** e salvarlo nella directory principale di un'unità USB



2. Aprire il file e copiare il contenuto seguente:



```
ubt_cfg.txt
File Edit Format Options Help
RS UDISK FOR CONFIG SETTING:
BT_NAME:SB-1900P_1822 Room
PIN_CODE:5678
#
```

Nota: solo il testo in rosso è modificabile. La lunghezza massima è di 32 caratteri. Se il PIN è vuoto o contiene caratteri alfabetici, non sarà considerato alcun PIN.

3. Scollegare l'alimentazione dalla soundbar
4. Tenere premuto il pulsante EQ
5. Collegare l'alimentazione. Tutti i LED della sorgente lampeggeranno 2 volte indicando la modalità di modifica del nome BT
6. Inserire l'unità USB. Il nome sarà automaticamente aggiornato  
Il LED dell'ingresso BT lampeggerà lentamente **1 volta** per confermare l'aggiornamento del **nome**  
Il LED dell'ingresso BT lampeggerà **3 volte** per confermare l'aggiornamento di **nome e PIN**

## RS-232

Per il controllo RS-232 si utilizza la porta USB.

Utilizzare l'adattatore da USB a RS-232 in dotazione. Altri adattatori da USB a RS-232 potrebbero non funzionare.

La piedinatura è la seguente:

Pin	2	3	5
Segnali	TXD	RXD	GND

Questa piedinatura consente la comunicazione tra la soundbar e un PC dotato di un programma terminale seriale (come Hyper Terminal) per mezzo di un cavo seriale RS-232 DB9 dritto a 9 pin.

NON utilizzare un cavo di tipo "null modem" per il collegamento al PC.

Impostazioni di comunicazione:

Baud rate	Bit di dati	Parità	Bit di arresto	Controllo flusso
19200	8	Nessuno	1	Nessuno

### Struttura dei comandi:

Tutti i comandi iniziano con il simbolo # (ASCII 0x23), seguito da un codice comando a 3 caratteri.

Se il comando prevede parametri, questi sono forniti in formato testuale, separati da uno **spazio** (ASCII 0x20) dal codice comando.

I parametri non ammettono mai il carattere #.

Il carattere di ritorno a capo (ASCII 0x0d) indica la fine del comando.

Il ritorno a capo può essere opzionalmente seguito da un carattere di avanzamento riga (ASCII 0x0a), che in questo caso sarà ignorato.

Ciascun comando non può superare i 20 byte, inclusi i byte di inizio e fine comando.

Di seguito è illustrata la struttura dei comandi:

<comando> = <inizio del comando><codice comando>[<sp><parametri>]<fine del comando>

<inizio del comando> = #, ASCII 0x23

<codice comando> = <byte><byte><byte>

<sp> = spazio, ASCII 0x20

<parametri> = parte specifica del comando

<fine del comando> = CR, ASCII 0x0d LF, ASCII 0x0a

### Struttura della risposta:

Alla ricezione di un comando, la soundbar esegue il comando e invia una risposta.

- La risposta comincia con il simbolo "@" (ASCII 0x23), seguito dal codice comando di origine e da uno spazio (ASCII 0x20), più un codice risultato, ovvero "OK" o "ER".
- Eventuali parametri o messaggi aggiuntivi sono forniti in formato testuale, separati da uno spazio (ASCII 0x20) dal codice risultato.
- Il carattere "@" (ASCII 0x40) non è ammesso nei parametri o nei messaggi.
- Il carattere di ritorno a capo (ASCII 0x0d) indica la fine della risposta. La risposta non può di norma superare i 25 byte, inclusi i byte di inizio e fine risposta.
- Di seguito è illustrata la struttura delle risposte.

<risposta> = <inizio della risposta><codice comando><sp><codice risultato>[<sp><parametri>]<fine della risposta>

<inizio della risposta> = @, ASCII 0x40

<codice comando> = <byte><byte><byte>

<codice risultato> = OK|ER

<sp> = spazio, ASCII 0x20

<parametri> = parte specifica del comando

<fine della risposta> = CR, ASCII 0x0d

## **Struttura dei messaggi di aggiornamento di stato:**

Se la modalità dettagliata è impostata su 2 o 3, la soundbar invierà automaticamente messaggi di aggiornamento di stato. Questi messaggi non sono risposte a specifici comandi. I messaggi di aggiornamento di stato possono essere inviati in seguito a ogni cambiamento di stato provocato da comandi provenienti da un controllo RS-232, dai pulsanti del pannello anteriore, dal telecomando IR o dall'avanzamento della riproduzione.

I messaggi di aggiornamento di stato hanno la struttura seguente:

<aggiornamento> = <inizio dell'aggiornamento><codice stato>[<sp><parametri>]<fine dell'aggiornamento>

<inizio dell'aggiornamento> = @, ASCII 0x40

<codice stato> = <byte><byte><byte>

<sp> = spazio, ASCII 0x20

<parametri> = status-specific

<fine della risposta> = CR, ASCII 0x0d

## **Sequenza di esecuzione dei comandi:**

I comandi vengono eseguiti nell'ordine in cui vengono ricevuti. Il client di controllo deve attendere la risposta dalla soundbar prima di poter inviare il comando successivo.

Se la soundbar riceve un nuovo comando prima di aver eseguito il comando precedente, i comandi potrebbero essere eseguiti nella corretta sequenza o il comando precedente potrebbe essere ignorato, a seconda dei processi di elaborazione interni della soundbar. È necessario evitare che il client di controllo invii più comandi in sequenza senza attendere le risposte.

Se non riceve risposta dalla soundbar 10 secondi dopo l'invio del comando, l'host può considerare il comando o la risposta smarriti durante la trasmissione e trasmettere nuovamente il comando.



## A. Comandi del telecomando

Comandi associati ai pulsanti di un telecomando

Questi comandi non richiedono parametri. La soundbar gestisce i comandi come se li ricevesse direttamente da un telecomando IR.

Codice comando	Pulsante telecomando	Funzione	Esempio di risposta
#POW 23 50 4F 57 0D	POWER	Attivazione/di sattivazione STANDBY e ACCENSIONE	"@ OK ON/OFF" ON Accensione OFF Spegnimento
#PON 23 50 4F 4E 0D	ON	Discreto ON	"@ OK ON" ON Accensione
#POF 23 50 4F 46 0D	OFF	Discreto OFF	"@ OK OFF" OFF Spegnimento
#VUP 23 56 55 50 0D	VOL +	Aumenta volume	"@ OK xx" STE VOL xx
#VDN 23 56 44 4E 0D	VOL -	Riduci volume	"@ OK xx" STE VOL xx
#MUT 23 4D 55 54 0D	MUTE	Modalità silenziosa	"@ OK MUT" STE MUTE
#SRC 23 53 52 43 0D	SOURCE	Cambia funzione	"@ OK AUX/ABT/CAO/OPT/ARC/HD1/HD2/STANDBY" STE SOURCE xxx
#NEQ 23 4E 45 51 0D	EQ	Cambia profilo EQ	"@ OK MUSI" "@ OK MOVI" "@ OK NEWS" "@ OK FLAT" STE EQ xxx
#PLA 23 50 4C 41 0D	PLAY	Avvia riproduzione	"@ OK" MUSIC PLAY
#PRE 23 50 52 45 0D	PREV	Passa al precedente	"@ OK"
#NXT 23 4E 58 54 0D	NEXT	Passa al successivo	"@ OK"
#PAR 23 50 41 52 0D	PAIR	Associa BT	"@ OK"

## Comandi di ingresso

Nota di settembre 2019: per il corretto funzionamento di questi codici potrebbe essere necessario un upgrade del firmware

#SSR AUX	23 53 53 52 20 41 55 58 0D	AUX
#SSR BT	23 53 53 52 20 42 54 0D	BT
#SSR ARC	23 53 53 52 20 41 52 43 0D	ARC
#SSR HD1	23 53 53 52 20 48 44 31 0D	HDMI1
#SSR HD2	23 53 53 52 20 48 44 32 0D	HDMI2
#SEQ MOV	23 53 45 51 20 4D 4F 56 0D	MOVIE
#SEQ MUS	23 53 45 51 20 4D 55 53 0D	MUSIC
#SEQ NEW	23 53 45 51 20 4E 45 57 0D	NEWS

## B. Comandi di interrogazione

Questo gruppo di comandi invia richieste alla soundbar. La soundbar risponde a seconda del suo stato attuale.

Codice comando	Funzione	Esempio di risposta
#QVM 23 51 56 4D 0D	Interrogazione modalità dettagliata	"@ OK 0" modalità dettagliata 0 "@ OK 1" modalità dettagliata 1 "@ OK 2" modalità dettagliata 2 "@ OK 3" modalità dettagliata 3
#QPW 23 51 50 57 0D	Interrogazione stato alimentazione	"@ OK ON" audio attivato "@ OK OFF" audio disattivato
#QVR 23 51 56 52 0D	Interrogazione versione firmware	"@ OK 0 xx" versione 0 xx
#QVL 23 51 56 4C 0D	Interrogazione volume	"@ OK 0-32 " audio attivato vol xx "@ OK MUTE" audio disattivato
#QPL 23 51 50 4C 0D	Interrogazione stato riproduzione	"@ OK PLAY " In riproduzione
#QRP 23 51 52 50 0D	Interrogazione modalità ripetizione	"@ OK REPF "
#QSR 23 51 53 52 0D	Interrogazione sorgente ingresso	"@ OK AUX/ABT/CAO/OPT/ARC/HD1/HD2/STANDBY " Sorgente xx
#QEQ 23 51 45 51 0D	Interrogazione profilo EQ	"@ OK MUSI" "@ OK MOVI" "@ OK NEWS" "@ OK FLAT" EQ xx

### C. Comandi avanzati

Questo gruppo di comandi richiede alla soundbar di eseguire un'operazione avanzata in un unico passaggio.

Codice comando	Parametri	Funzione	Esempio di risposta
#SVM 23 53 56 4D X 0D	30 Chiudi modalità dettagliata 31 Nessuna funzione 32 Aggiornamento in caso di variazioni nei parametri rilevanti 33 Aggiornamento a tempo	Imposta modalità dettagliata	"@ OK "
#SVL	0 – 32 MUTE	Imposta volume ad es. #SVL 9 = VOL 9 23 53 56 4C 20 39 0D  ad es. #SVL MUT = MODALITÀ SILENZIOSA 23 53 56 4C 20 4D 55 54 0D	OK 32 OK MUTE
#SRP	ALL CH OFF RND	Ripeti tutto Ripeti capitolo Disattiva ripetizione Casuale	OK RPTA OK RPT1 OK RPTF OK RPTR
#SSR 23 53 53 52 X 0D	41 55 58 Imposta sorgente AUX 42 54 Imposta sorgente BT 41 52 43 Imposta sorgente ARC 48 44 31 Imposta sorgente HDMI 1 48 44 32 Imposta sorgente HDMI 2	Imposta sorgente di ingresso	"@ OK " SET sorgente OK
#SEQ 23 53 45 51 X 0D	4D 4F 56 Imposta EQ film 4D 55 53 Imposta EQ musica 4E 45 57 Imposta EQ notizie	Imposta equalizzatore	"@ OK " SET EQ OK
#RST		Comando di reset – Cancella tutti i buffer dei comandi e annulla l'attesa per qualsiasi comando in sospeso o in esecuzione.  Ricomincia dall'inizio.	

#QVL 23 53 56 76 X 0D	Consultare la tabella di seguito per le impostazioni dettagliate del volume	Imposta volume	"@ OK " SET VOL OK
--------------------------	-----------------------------------------------------------------------------------	----------------	-----------------------

## Comandi per il volume

VOL (X)	hex
0-9	30-39
10	31 30
11	31 31
12	31 32
13	31 33
14	31 34
15	31 35
16	31 36
17	31 37
18	31 38
19	31 39
20	32 30
21	32 31
22	32 32
23	32 33
24	32 34
25	32 35
26	32 36
27	32 37
28	32 38
29	32 39
30	32 30
31	32 31
32	33 32
MUT	4D 55 54

## **Messaggi di aggiornamento di stato:**

I seguenti messaggi di aggiornamento di stato vengono inviati automaticamente dalla soundbar se la modalità dettagliata è impostata su 2 o 3.

### **UPW** - Aggiornamento stato alimentazione:

Inviato nel momento in cui si verifica un cambiamento nello stato on/off dell'alimentazione. Parametri possibili: 2 caratteri

ON – Unità accesa

OFF – Spegnimento unità in corso

Esempio: UPW ON

### **USR** - Aggiornamento stato di funzionamento:

Inviato quando la funzione è attiva. Parametri possibili: 3 caratteri

AUX – Ingresso ausiliario

OPT – Ingresso ottico

COA – Ingresso coassiale

ABT – Ingresso Bluetooth

ARC – Ingresso HDMI ARC

Esempio: USR ABT

### **UPL** - Aggiornamento stato riproduzione

Inviato nel momento in cui si verifica un cambiamento nello stato di riproduzione.

Parametri possibili: 4 caratteri

PLAY – Avvio riproduzione

PAUS – Riproduzione in pausa

STOP – Riproduzione interrotta

Esempio: UPL PLAY

### **URP** – Aggiornamento stato riproduzione ripetuta

Inviato nel momento in cui si verifica un cambiamento nello stato di riproduzione ripetuta. Parametri possibili: 4 caratteri

RPTA – Ripeti tutto

RPT1 – Ripeti capitolo

RPTF – Disattiva ripetizione

RPTR – Casuale

Esempio: UPR RPTA

### **UVL** - Aggiornamento livello volume:

Inviato nel momento in cui si verifica un cambiamento nello stato del livello di volume o della modalità silenziosa. Parametri possibili: 3 caratteri

MUT – Modalità silenziosa attivata  
000 .. 100 – Livello di volume attuale (inviato anche quando si disattiva la modalità silenziosa) Esempio: UVL 068

**UEQ** – Aggiornamento stato profili EQ

Inviato nel momento in cui si verifica un cambiamento nello stato dell'EQ predefinito Parametri possibili: 4 caratteri

MUSI – EQ MUSICA attivato

MOVI – EQ FILM attivato

FLAT – EQ PIATTO attivato

NEWS – EQ NOTIZIE attivato

GAME – EQ GIOCHI attivato

Esempio: UEQ MUSI.



VISION 

## **SB-1900P LUIDSPREKERS**

## **HANDLEIDING**



[www.visionaudiovisual.com/nl/techaudio/sb-1900p/](http://www.visionaudiovisual.com/nl/techaudio/sb-1900p/)

## CONFORMITEITSVERKLARING

Indien van toepassing, zijn alle producten van Vision gecertificeerd en voldoen ze aan alle bekende lokale voorschriften die vereist zijn voor een CB-certificaat. Vision garandeert dat alle producten volledig voldoen aan alle normen die van toepassing zijn op verkoop in de EU en andere deelnemende landen. Het product dat beschreven staat in deze handleiding voldoet aan de normen van de BGS-richtlijn (EU richtlijn 2002/95/EG) en de AEEA-richtlijn (EU richtlijn 2002/96/EG). Dit product moet aan het eind van de gebruiksduur voor recycling teruggebracht worden naar het verkooppunt.

## WAARSCHUWING



### WAARSCHUWING: RISICO OP ELEKTRISCHE SCHOK NIET OPENEN

WAARSCHUWING: OM HET RISICO OP EEN ELEKTRISCHE SCHOK TE VERMINDEREN, MAG DE BEHUIZING (OF ACHTERPLAAT) NIET VERWIJDERD WORDEN ER ZIJN GEEN ONDERDELEN DIE DE GEBRUIKER ZELF KAN ONDERHOUDEN. LAAT ONDERHOUD AAN GEKWALIFICEERD PERSONEEL OVER.



Het symbool van de bliksemschicht in een gelijkzijdige driehoek is bedoeld om de gebruiker te attenderen op de aanwezigheid van niet-geïsoleerde 'gevaarlijke spanning' in het inwendige van het product, die sterk genoeg kan zijn om mensen een elektrische schok toe te dienen.



Het uitroepteken in een gelijkzijdige driehoek is bedoeld om de gebruiker te attenderen op de aanwezigheid van belangrijke instructies voor bediening en onderhoud (service) in de literatuur die bij het apparaat geleverd wordt.

WAARSCHUWING: OM HET RISICO OP BRAND OF EEN ELEKTRISCHE SCHOK TE VERKLEINEN, HET APPARAAT NIET BLOOTSTELLEN AAN REGEN OF VOCHT.

'Vision' ontwikkelt en importeert alle producten naar de EU. Vision is volledig eigendom van Azlan Logistics Ltd., dat geregistreerd is in Engeland onder nr. 04625566 op adres Lion House, 4 Pioneer Business Park, Clifton Moor, York, YO30 4GH. AEEA-registratie: GD00465Y



## VERKLARING INZAKE OORSPRONG

Alle producten van Vision worden gemaakt in de Volksrepubliek China.

## GEBRUIK UITSLUITEND HUISHOUELIJKE STOPCONTACTEN

Als het apparaat aan een stopcontact wordt aangesloten dat een hoger voltage levert, kan dat brandgevaar opleveren.

## WEES VOORZICHTIG MET HET NETSNOER

Haal de stekker nooit uit het stopcontact door aan het snoer te trekken; trek altijd aan de stekker zelf. Trekken aan het netsnoer kan het beschadigen. Als u van plan bent om uw apparaat gedurende langere tijd niet te gebruiken, haal dan de stekker uit het stopcontact. Plaats geen meubels of andere zware objecten op het snoer en probeer te voorkomen dat er zware objecten op vallen. Leg geen knoop in het netsnoer. Het snoer kan niet alleen beschadigd worden, maar er kan ook kortsluiting optreden wat vervolgens brandgevaar oplevert.

### **PLAATS VAN INSTALLATIE**

Vermijd dat het product onder de volgende omstandigheden wordt geïnstalleerd:

- Vochtige of natte plaatsen
- Plaatsen met direct zonlicht of dicht bij verwarmingsapparatuur
- Extreem koude locaties
- Plaatsen met buitensporig veel vibratie of stof
- Slecht geventileerde plaatsen

Stel dit product niet bloot aan druppelen of spatten. **ZET GEEN PRODUCTEN GEVULD MET VLOEISTOF OP OF IN DE BUURT VAN DIT PRODUCT!**

### **HET APPARAAT VERPLAATSEN**

Zorg voor het verplaatsen van het apparaat dat het netsnoer uit het stopcontact is gehaald en ontkoppel kabels die op andere apparaten zijn aangesloten.

### **WAARSCHUWINGSSIGNALLEN**

Als u een abnormale geur of rook opmerkt, schakel dit product dan meteen uit en haal de stekker uit het stopcontact. Neem contact op met uw tussenpersoon of met Vision.

### **VERPAKKING**

Bewaar al het verpakkingsmateriaal. Dat is essentieel voor vervoer in het geval dat het apparaat gerepareerd moet worden.

**ALS HET APPARAAT NIET IN DE ORIGINELE VERPAKKING NAAR DE REPARATIEDIENST WORDT GERETOURNEERD, ZAL SCHADE VEROORZAAKT TIJDENS HET TRANSPORT NIET ONDER DE GARANTIE VALLEN.**

### **WATTAGE**

De meest consistente normen voor het meten van wattage zijn 'Program Power' en 'RMS', omdat die gemiddelde, aanhoudende niveaus meten.

Wanneer luidsprekers geïntegreerde versterkers hebben, is de belasting (weerstand gemeten in ohm) bekend dus het vermogen is een vast getal.

### **BIJZONDERE WAARSCHUWINGEN**

Dit product niet in de buurt van vliegtuigen of medische faciliteiten gebruiken. Het kan interferentie veroorzaken.

Het gebruik van dit product op een van de volgende locaties kan een abnormale video- en audio-uitvoer als gevolg hebben:

- Installatie van het product in muren van beton.
- Plaatsing van het product in de buurt van een koelkast, magnetronoven of andere metalen objecten.
- Een ruimte met objecten die het draadloze signaal kunnen blokkeren.

Dit product is getest en gefabriceerd om aan de veiligheidsvoorschriften van alle landen te voldoen, desalniettemin is er geen garantie dat interferentie uitgesloten kan worden. Pas indien interferentie optreedt de afstand tussen zender en ontvanger aan.

### **FEDERAL COMMUNICATIONS COMMISSION-INTERFERENTIEVERKLARING**

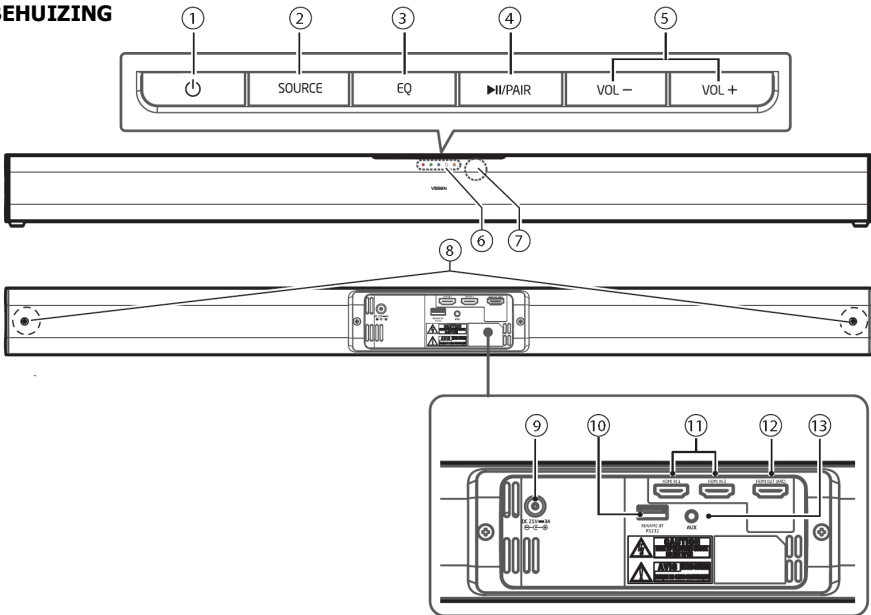
Dit apparaat is getest en voldoet aan de voorschriften voor een digitaal apparaat van klasse B, conform Deel 15 van de FCC-regels. Dit apparaat genereert, gebruikt en kan radiofrequentie-energie uitstralen en kan in extreme gevallen schadelijke storing op radiocommunicatie veroorzaken. De gebruiker kan de volgende maatregelen nemen om dit te verhelpen:

- Verplaats de antenne van de ontvanger.
- Vergroot de afstand tussen het apparaat en de ontvanger.
- Sluit het apparaat aan op een ander voedingscircuit.

### **VERKLARING BETREFFENDE STRALINGSBLOOTSTELLING:**

Dit apparaat voldoet aan de IC-stralingsbloomstellingslimieten zoals vastgesteld voor een ongecontroleerde omgeving. Dit apparaat dient geïnstalleerd en gebruikt te worden met een afstand van ten minste 20 cm tussen de zender en het lichaam.

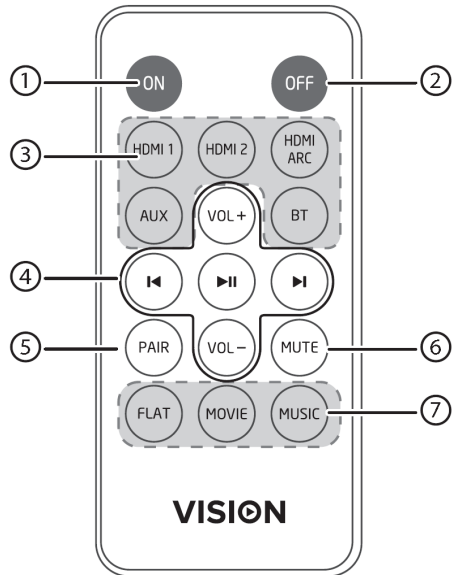
## BEHUIZING



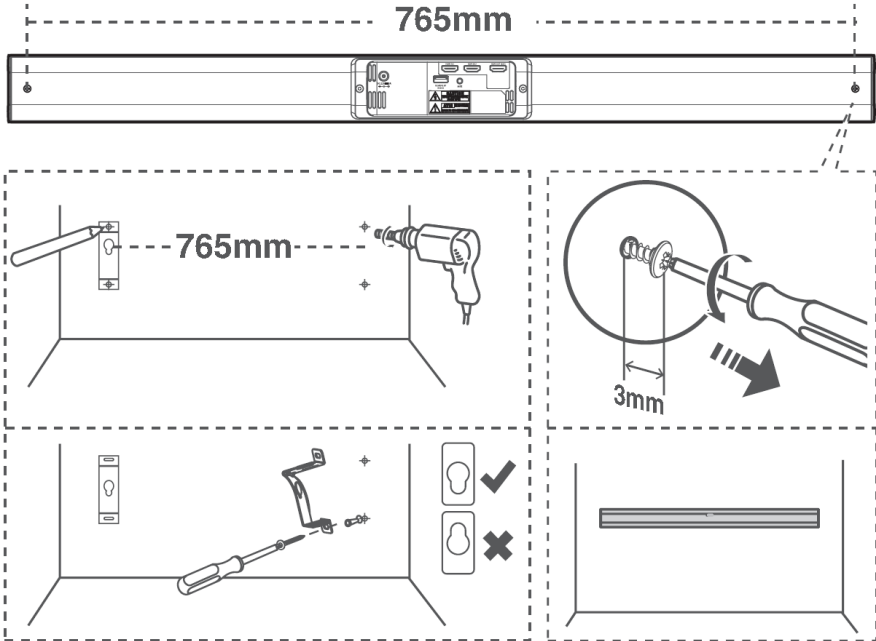
1. Knop Stand-by
2. Knop SOURCE (bron)
3. Knop EQ (equalizer)
4. Knop PLAY/PAIR (afspelen/koppelen)
  - Inhoud op een Bluetooth-bronapparaat pauzeren of afspelen.
  - Ingedrukt houden om de koppelfunctie te activeren en een bestaande koppeling met een apparaat te verbreken.
5. Knoppen VOL+/VOL-. Wanneer BT gekoppeld en actief is, regelen de volumeknoppen het volume van de SB-1900P. Het volume van het apparaat kan ook afzonderlijk worden geregeld.
6. Led-indicatorlampjes op voorkant
  - **Rood** STAND-BY
  - **Groen** AUX
  - **Blauw** Bluetooth
  - Wit HDMI 1
  - Wit knipperend HDMI 2
  - **Oranje** HDMI ARC
7. Ontvanger IR-afstandsbediening
8. Schroeven wandbeugel
9. Voedingsaansluiting
10. USB-A-aansluiting voor het wijzigen van naam en pincode BT en voor RS-232-bediening
11. HDMI-ingangen 1 en 2
12. HDMI OUT ARC
13. AUX ministekkeringang 3,5 mm

## AFSTANDBEDIENING

1. Aan
2. Uit
3. Ingangselectie
4. VOL volume omhoog en omlaag  
PLAY bedient het bronapparaat als modus BT is ingeschakeld
5. PAIR activeert de koppelfunctie en verbreekt de bestaande koppeling met een apparaat.
6. Dempen
7. Knoppen voor EQ (equalizer)



## INSTALLATIE



## AUTOMATISCHE STAND-BY

Dit product heeft een automatische stand-byfunctie en voldoet aan ErP (richtlijn 2009/125/EG betreffende de vermindering van het energieverbruik).

- Het zal na 15 minuten uitschakelen.
- Het zal automatisch inschakelen zodra er een signaal wordt opgevangen.
- Het maakt hiervoor gebruik van de ingangsgevoeligheid. Zorg ervoor dat het volume op het bronapparaat voldoende hard is.

## UITSCHAKELEN

Zet het apparaat in STAND-BY en houd daarna de knop V+ ingedrukt totdat het blauwe lampje gaat knipperen. De blauwe led knippert eenmaal langzaam.

Herhaal dit om de functie weer in te schakelen. De blauwe led knippert driemaal snel.

## UIT- EN INSCHAKELEN

Als de netvoeding wordt uitgeschakeld en opnieuw ingeschakeld, zal dit product automatisch opnieuw opstarten en met de voorgaande instellingen verder gaan.

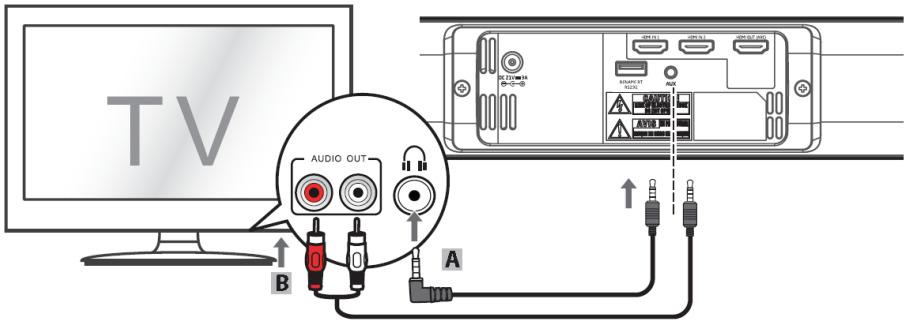
## EQ

Met deze knop worden de volgende functies geselecteerd:

- Film
- Muziek
- Spraak

## MINISTEKKER- (KOPTELEFOONSTEKKER-) INGANG

Sluit het bronapparaat aan zoals afgebeeld (kabels niet inbegrepen)

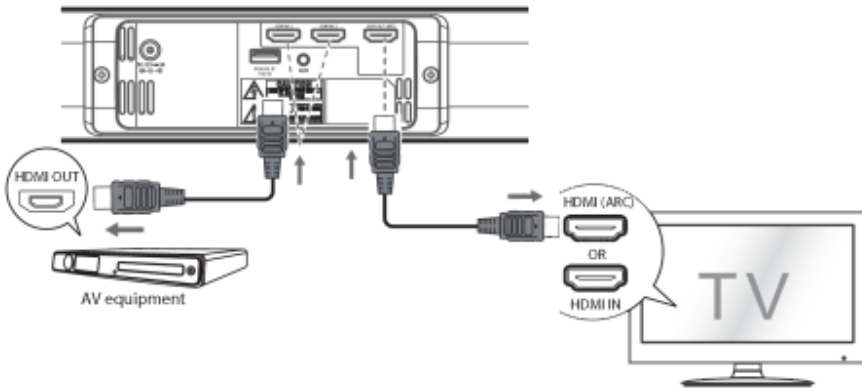


Indien gebruikt zoals weergegeven, kan het volume worden geregeld met de afstandsbediening van de tv. Opmerking: niet alle tv's zijn voorzien van een koptelefoonstekker.



## HDMI-INGANGEN

Sluit het bronapparaat aan zoals afgebeeld (kabels niet inbegrepen)



### **HDMI ARC- (Audio Return Channel-) INGANG**

Sluit de ARC-**INGANG** van de SB-1900P aan op de ARC-**UITGANG** van de monitor.  
De luidsprekers in de monitor werken nu niet meer.  
De afstandsbediening van de monitor bedient nu het geluid van de soundbar.

Opmerking: niet alle monitoren beschikken over een ARC-uitgang. Deze moet mogelijk in het menu worden geactiveerd.

### **STANDAARD HDMI-INGANGEN**

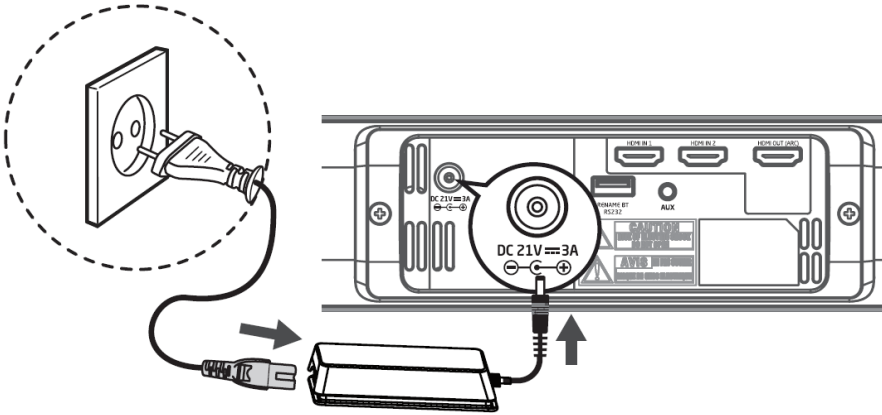
Sluit de bron(nen) aan op ingangen 1 en 2.  
Sluit de HDMI-uitgang van de SB-1900P aan op de normale HDMI-ingang van de monitor

Opmerking: Als er geen geluid is en het statuslampje snel knippert, moet u mogelijk de uitgang van het PCM-signaal op uw bronapparaat activeren.

## VOEDING AANSLUITEN

Breng eerst alle andere aansluitingen tot stand voordat u de voeding aansluit.

Rol de DC-kabel volledig uit. Sluit het uiteinde van de voedingskabel aan op de aansluiting op de achterkant van de soundbar. Steek daarna de voedingsstekker in het stopcontact.



## BLUETOOTH-INGANG

Wanneer u de eerste keer verbinding maakt, moet u uw apparaat koppelen. In dit voorbeeld wordt een telefoon gekoppeld.

1. **DRUK OP DE KNOP SOURCE (BRON) OM DE BT-INGANG TE ACTIVEREN** Het blauwe indicatorlampje zal gaan knipperen
2. **OP DE TELEFOON OPENT U HET MENU INSTELLINGEN/BLUETOOTH** In de lijst ziet u de SB-1900P. Wanneer dit niet het geval is, is het apparaat misschien al met een ander apparaat gekoppeld (het blauwe indicatorlampje is dan gestopt met knipperen). Druk op de knop PAIR (koppelen) op de afstandsbediening of houd de knop PAIR op de luidspreker ingedrukt tot het blauwe indicatorlampje begint te knipperen.
3. **VOER HET WACHTWOORD 0000 IN** (vier keer nul). Zodra de koppeling tot stand is gebracht, gaat het blauwe indicatorlampje (ononderbroken) branden.

### Opmerkingen:

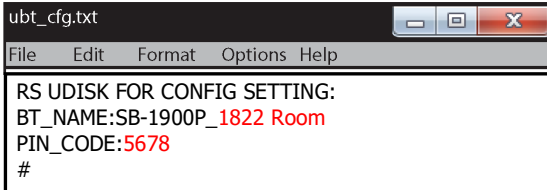
- Het operationele bereik bedraagt ongeveer 8 meter (26 ft)
- Wanneer het signaal zwak is en de verbinding verbroken wordt, gaat de soundbar over naar de koppelmodus.
- Dit product maakt gebruik van Bluetooth versie 4.2. Het werkt mogelijk niet met alle bronapparaten.
- Dit product kan slechts met één bron tegelijkertijd zijn gekoppeld.
- Wanneer er binnen 2 minuten geen bronapparaat wordt gekoppeld, wordt teruggekeerd naar de vorige bron.
- Dit apparaat ondersteunt A2DP (Advanced Audio Distribution Profile) en AVRCP (Audio Video Remote Control Profile)

## NAAM BLUETOOTH WIJZIGEN

1. Maak op de pc een bestand met platte tekst aan met de naam **ubt\_cfg.txt** en zet dit in de hoofddirectory van een USB-stick



2. Open het bestand en kopieer de onderstaande inhoud:



```
ubt_cfg.txt
File Edit Format Options Help
RS UDISK FOR CONFIG SETTING:
BT_NAME:SB-1900P_1822 Room
PIN_CODE:5678
#
```

Opmerking: Alleen de rode tekst kan bewerkt worden. De maximale lengte is 32 tekens. Als de pincode leeg wordt gelaten of als een alfabetisch teken wordt gebruikt, wordt dit als geen pincode beschouwd.

3. Haal de stekker van de soundbar uit het stopcontact
4. Druk op de knop EQ en houd deze ingedrukt
5. Steek de stekker in het stopcontact. Alle bron-leds knipperen tweemaal als aanduiding dat het apparaat in de naamwijzigingsmodus voor BT staat
6. Plaats een USB-stick. Deze werkt de naam automatisch bij;  
Als bevestiging dat de **naam** is gewijzigd, knippert de led van de BT-ingang langzaam **1 keer**  
Als bevestiging dat de **naam en pincode** zijn gewijzigd, knippert de led van de BT-ingang **3 keer**

## RS-232

RS-232 gaat via de USB-poort.

Gebruik de meegeleverde USB-naar-RS-232-adapter. Andere USB-naar-RS-232-adapters werken mogelijk niet.

De pin-out is als volgt:

Pin	2	3	5
Signaal	TXD	RXD	GND

Met deze pinconfiguratie kan een pc waarop een programma voor seriële klemmen (zoals Hyper Terminal) draait, met de soundbar communiceren door middel van een rechte DB9 9-pins seriële RS-232-kabel.

Gebruik GEEN nulmodemkabel voor de aansluiting met de pc.

Communicatie-instellingen:

Overdrachtssnelheid	Databits	Pariteit	Stopbit	Overdrachtsc ontrolere
19200	8	Geen	1	Geen

### Opdrachtstructuur:

Elke opdracht begint met het teken # (ASCII 0x23) gevolgd door een opdrachtcode van 3 tekens.

Als er parameters zijn voor de opdracht, worden de parameters in tekstformaat gegeven, gescheiden door een **spatie** (ASCII 0x20) na de opdrachtcode.

De parameters mogen nooit het teken # bevatten.

Een regelterugloop (ASCII 0x0d) geeft het einde van de opdracht aan.

De regelterugloop kan optioneel gevolgd worden door een regelinvvoer (ASCII 0x0a). Deze wordt genegeerd.

Elke opdracht mag doorgaans niet groter zijn dan 20 bytes, inclusief de bytes van de start en het einde van de opdracht.

De structuur van een opdracht kan als volgt worden weergegeven:

<Opdracht> = <Start opdracht><Opdrachtcode>[<sp><Parameters>]<Einde opdracht>

<Start opdracht> = #, ASCII 0x23

<Opdrachtcode> = <byte><byte><byte>

<sp> = spatie, ASCII 0x20

<Parameters> = opdrachtafhankelijk

<Einde opdracht> = CR, ASCII 0x0d LF, ASCII 0x0a

## Structuur van een respons:

Nadat de soundbar een opdracht heeft ontvangen, voert deze de opdracht uit en stuurt een respons terug.

- De respons begint met het teken '@' (ASCII 0x23), gevolgd door de oorspronkelijke opdrachtcode, een spatie (ASCII 0x20) en een resultaatcode, 'OK' of 'ER'.
- Als er parameters of aanvullende berichten zijn, worden deze gegeven in tekstformaat, gescheiden van de resultaatcode met een spatie (ASCII 0x20).
- De parameters en het bericht mogen nooit het teken '@' (ASCII 0x40) bevatten.
- Een regelterugloop (ASCII 0x0d) geeft het einde van de respons aan. Elke respons mag doorgaans niet groter zijn dan 25 bytes, inclusief de bytes van de start en het einde van de respons.
- De structuur van een respons kan als volgt worden weergegeven:

<Respons> = <Start van respons><Opdrachtcode><sp><Resultaatcode>[<sp><Parameters>]<Einde van respons>

<Start respons> = @, ASCII 0x40

<Opdrachtcode> = <byte><byte><byte>

<Resultaatcode> = OK|ER

<sp> = spatie, ASCII 0x20

<Parameters> = opdrachtafhankelijk

<Einde respons> = CR, ASCII 0x0d

## Structuur van een statusupdatebericht:

Als de uitgebreide modus op 2 of 3 is ingesteld, stuurt de soundbar automatisch statusupdateberichten. Deze berichten zijn geen respons op een bepaalde opdracht. Statusupdateberichten kunnen worden geactiveerd door alle statuswijzigingen die worden veroorzaakt door opdrachten van de RS232-bediening, de knoppen op het voorpaneel, de IR-afstandsbediening of de afspeelmodus.

De statusupdateberichten hebben de volgende structuur:

<Update> = <Start update><Statuscode>[<sp><Parameters>]<Einde update>

<Start update> = @, ASCII 0x40

<Statuscode> = <byte><byte><byte>

<sp> = spatie, ASCII 0x20

<Parameters> = status-specifiek

<Einde respons> = CR, ASCII 0x0d

## Opdrachtreeks:

Opdrachten worden uitgevoerd in de volgorde waarin ze worden ontvangen. De controlesoftware moet op een respons van de soundbar wachten alvorens de volgende opdracht te verzenden.

Als de soundbar een nieuwe opdracht ontvangt voordat de vorige is uitgevoerd, kan de soundbar de opdrachten in volgorde uitvoeren of de vorige opdracht negeren, afhankelijk van de interne verwerking van de soundbar. De controlesoftware mag niet meerdere opdrachten achter elkaar versturen zonder eerst een respons af te wachten.

Als de host binnen 10 seconden na het uitzenden van de opdracht nog geen respons heeft ontvangen, gaat de host ervan uit dat de opdracht of de respons verloren is gegaan tijdens de overdracht en kan de host de opdracht opnieuw versturen.

## A. Opdrachten van de afstandsbediening

Opdrachten die gekoppeld zijn aan knoppen van de afstandsbediening

Voor deze opdrachten zijn geen parameters nodig. De soundbar handelt de opdrachten af alsof deze ontvangen worden als opdrachten van de IR-afstandsbediening.

Opdrachtcode	Knop afstandsbediening	Functie	Voorbeeld van respons
#POW 23 50 4F 57 0D	POWER	Schakelen tussen STAND-BY en AAN	"@ OK ON/OFF" ON opstarten OFF uitschakelen
#PON 23 50 4F 4E 0D	ON	Discrete (afzonderlijk) aan	"@ OK ON" ON opstarten
#POF 23 50 4F 46 0D	OFF	Discrete (afzonderlijk) uit	"@ OK OFF" OFF uitschakelen
#VUP 23 56 55 50 0D	VOL +	Volume omhoog	"@ OK xx" STE VOL xx
#VDN 23 56 44 4E 0D	VOL -	Volume omlaag	"@ OK xx" STE VOL xx
#MUT 23 4D 55 54 0D	MUTE	Geluid dempen	"@ OK MUT" STE MUTE
#SRC 23 53 52 43 0D	SOURCE	Schakelen naar andere functie	"@ OK AUX/ABT/CAO/OPT/ARC/HD1/ HD2/STANDBY" STE SOURCE xxx
#NEQ 23 4E 45 51 0D	EQ	Schakelen naar andere vooraf ingestelde EQ	"@ OK MUSI" "@ OK MOVI" "@ OK NEWS" "@ OK FLAT" STE EQ xxx
#PLA 23 50 4C 41 0D	PLAY	Afspelen starten	"@ OK" MUSIC PLAY
#PRE 23 50 52 45 0D	PREV	Naar vorig nummer	"@ OK"
#NXT 23 4E 58 54 0D	NEXT	Naar volgend nummer	"@ OK"
#PAR 23 50 41 52 0D	PAIR	BT koppelen	"@ OK"



## Invoeropdrachten

Opmerking september 2019: voor het functioneren van deze codes kan het nodig zijn de firmware te upgraden

#SSR AUX	23 53 53 52 20 41 55 58 0D	AUX
#SSR BT	23 53 53 52 20 42 54 0D	BT
#SSR ARC	23 53 53 52 20 41 52 43 0D	ARC
#SSR HD1	23 53 53 52 20 48 44 31 0D	HDMI1
#SSR HD2	23 53 53 52 20 48 44 32 0D	HDMI2
#SEQ MOV	23 53 45 51 20 4D 4F 56 0D	MOVIE
#SEQ MUS	23 53 45 51 20 4D 55 53 0D	MUSIC
#SEQ NEW	23 53 45 51 20 4E 45 57 0D	NEWS

## B. Opvraagopdrachten (query's)

Deze groep opdrachten vraagt de soundbar om een status. De soundbar beantwoordt de opdrachten met de huidige status.

Opdrachtcode	Functie	Voorbeeld van respons
#QVM 23 51 56 4D 0D	Opvragen uitgebreide modus	"@ OK 0" uitgebreide modus 0 "@ OK 1" uitgebreide modus 1 "@ OK 2" uitgebreide modus 2 "@ OK 3" uitgebreide modus 3
#QPW 23 51 50 57 0D	Opvragen aan/uit-status	"@ OK ON" geluid aan "@ OK OFF" geluid uit
#QVR 23 51 56 52 0D	Opvragen firmwareversie	"@ OK 0 xx" Versie 0 xx
#QVL 23 51 56 4C 0D	Opvragen volume	"@ OK 0-32 " geluid actief vol xx "@ OK MUTE" geluid gedempt
#QPL 23 51 50 4C 0D	Opvragen afspeelstatus	"@ OK PLAY " Aan het afspelen
#QRP 23 51 52 50 0D	Opvragen herhaalmodus	"@ OK REPF "
#QSR 23 51 53 52 0D	Opvragen ingangsbron	"@ OK AUX/ABT/CAO/OPT/ARC/HD1/HD2/STANDBY " Bron xx actief
#QEQ 23 51 45 51 0D	Opvragen vooraf ingestelde EQ	"@ OK MUSI" "@ OK MOVI" "@ OK NEWS" "@ OK FLAT" EQ xx actief

### C. Geavanceerde opdrachten

Deze groep opdrachten instrueert de soundbar om een geavanceerde bewerking in één stap uit te voeren.

Opdrachtcode	Parameters	Functie	Voorbeeld van respons
#SVM 23 53 56 4D X 0D	30 Uitgebreide modus afsluiten 31 Geen functie 32 Wordt geüpdatet wanneer relevante parameters veranderen 33 Updaten op tijd	Uitgebreide modus instellen	"@ OK "
#SVL	0 – 32 MUTE	Volume instellen bijv. #SVL 9 = VOL 9 23 53 56 4C 20 39 0D  bijv. #SVL MUT = DEMPEN 23 53 56 4C 20 4D 55 54 0D	OK 32 OK MUTE
#SRP	ALL CH OFF RND	Alle herhalen Hoofdstuk herhalen Herhalen uitschakelen Willekeurig	OK RPTA OK RPT1 OK RPTF OK RPTR
#SSR 23 53 53 52 X 0D	41 55 58 AUX-bron instellen 42 54 BT-bron instellen 41 52 43 ARC-bron instellen 48 44 31 HDMI 1-bron instellen 48 44 32 HDMI 2-bron instellen	Ingangsbron instellen	"@ OK " SET bron OK
#SEQ 23 53 45 51 X 0D	4D 4F 56 EQ MOVIE instellen 4D 55 53 EQ MUSIC instellen 4E 45 57 EQ NEWS instellen	EQ instellen	"@ OK " SET EQ OK
#RST		Reset-opdracht - Alle opdrachtbuffers opschonen, niet wachten op opdrachten die nog (moeten) worden uitgevoerd.  Opnieuw beginnen.	
#QVL 23 53 56 76 X 0D	Raadpleeg de onderstaande tabel voor gedetailleerde volumestellingen	Volume instellen	"@ OK " SET VOL OK

## Volume-opdrachten

VOL (X)	hex
0-9	30-39
10	31 30
11	31 31
12	31 32
13	31 33
14	31 34
15	31 35
16	31 36
17	31 37
18	31 38
19	31 39
20	32 30
21	32 31
22	32 32
23	32 33
24	32 34
25	32 35
26	32 36
27	32 37
28	32 38
29	32 39
30	32 30
31	32 31
32	33 32
MUT	4D 55 54

## Statusupdateberichten:

De volgende statusupdateberichten worden automatisch door de soundbar verstuurd wanneer de uitgebreide modus op 2 of 3 is ingesteld.

### **UPW** - Statusupdate aan/uit:

Wordt verstuurd wanneer de aan/uit-status wijzigt. Mogelijke parameters: 2 tekens

ON – Apparaat wordt aangezet

OFF – Apparaat gaat uit

Voorbeeld: UPW ON

### **USR** - Functionele statusupdate:

Wordt verstuurd wanneer de functie actief is. Mogelijke parameters: 3 tekens

AUX – Aux-ingang

OPT – Optische ingang

COA – Coaxiale ingang

ABT – Bluetooth-ingang

ARC – HDMI ARC-ingang

Voorbeeld: USR ABT

### **UPL** - Statusupdate afspelen

Wordt verstuurd wanneer de afspelerstatus wijzigt. Mogelijke parameters: 4 tekens

PLAY – Afspelen wordt gestart

PAUS – Afspelen wordt gepauzeerd

STOP – Afspelen wordt gestopt

Voorbeeld: UPL PLAY

### **URP** – Statusupdate herhaald afspelen

Wordt verstuurd bij een wijziging in de status van herhaald afspelen. Mogelijke parameters: 4 tekens

RPTA – Alle herhalen

RPT1 – Hoofdstuk herhalen

RPTF – Herhalen uit

RPTR – Willekeurig

Voorbeeld: UPR RPTA

### **UVL** - Update volumeniveau:

Wordt verstuurd wanneer het volumeniveau of de status voor dempen wijzigt. Mogelijke parameters: 3 tekens

MUT – Dempen wordt ingeschakeld

000 .. 100 – Huidig volumeniveau. (Wordt ook verstuurd wanneer dempen wordt geannuleerd.) Voorbeeld: UVL 068

**UEQ** – Statusupdate vooraf ingestelde EQ

Wordt verstuurd wanneer de standaard-EQ-status wijzigt. Mogelijke parameters:

4 tekens

MUSI – MUSIC EQ wordt actief

MOVI – MOVIE EQ wordt actief

FLAT – FLAT EQ wordt actief

NEWS – NEWS EQ wordt actief

GAME – GAME EQ wordt actief

Voorbeeld: UEQ MUSI.

# **GŁOŚNIKI SB-1900P Z WBUDOWANYM ZASILACZEM INSTRUKCJA OBSŁUGI**



[www.visionaudiovisual.com/techaudio/sb-1900p/](http://www.visionaudiovisual.com/techaudio/sb-1900p/)

## DEKLARACJA ZGODNOŚCI

W przypadkach, w których to ma zastosowanie, produkty Vision posiadają certyfikat potwierdzający spełnienie wymogów określonych przez „program certyfikacji CB” i są zgodne ze wszystkimi znanymi przepisami lokalnymi. Firma Vision zobowiązuje się zapewnić pełną zgodność wszystkich produktów oferowanych w sprzedaży w UE i innych krajach uczestniczących ze wszystkimi stosownymi normami certyfikacji.

Produkt opisany w niniejszej instrukcji obsługi jest zgodny z dyrektywą RoHS (dyrektywa UE 2002/95/WE) i WEEE (dyrektywa UE 2002/96/WE). Ten produkt należy zwrócić do miejsca zakupu po zakończeniu okresu eksploatacji w celu recyklingu.

## OSTRZEŻENIA



### PRZESTROGA: RYZYKO PORAŻENIA PRĄDEM ELEKTRYCZNYM NIE OTWIERAĆ

PRZESTROGA: ABY ZMNIJSZYĆ RYZYKO PORAŻENIA PRĄDEM ELEKTRYCZNYM, NIE ZDEJMOWAĆ POKRYWY (LUB PANELU TYLNEGO). WEWNĄTRZ NIE MA ŻADNYCH CZĘŚCI PRZEZNACZONYCH DO OBSŁUGI PRZEZ UŻYTKOWNIKA. CZYNNOŚCI SERWISOWE NALEŻY ZLECAĆ WYKWALIFIKOWANYM TECHNIKOM SERWISOWYM.



Symbol błyskawicy zakończony grotem umieszczony w trójkącie równobocznym ma za zadanie ostrzec użytkownika, że wewnątrz obudowy urządzenia występuje nieizolowane „niebezpieczne napięcie”, którego

wartość może stwarzać ryzyko porażenia prądem elektrycznym.



Wykrzyknik wewnątrz trójkąta równobocznego ma za zadanie ostrzec użytkownika o istnieniu ważnych instrukcji obsługi i konserwacji (obsługi serwisowej) znajdujących się w dokumentacji dołączonej do urządzenia.

OSTRZEŻENIE: ABY ZMNIJSZYĆ RYZYKO POŻARU LUB PORAŻENIA PRĄDEM ELEKTRYCZNYM, NIE NARAŻAĆ URZĄDZENIA NA DZIAŁANIE DESZCZU LUB WILGOCI.

Wszystkie produkty są produkowane i importowane do krajów Unii Europejskiej przez firmę Vision, która należy do spółki Azlan Logistics Ltd, zarejestrowanej w Anglii pod numerem 04625566 w Lion House, 4 Pioneer Business Park, Clifton Moor, York, YO30 4GH Numer rejestracyjny WEEE: GD0046SY



## DEKLARACJA POCHODZENIA

Wszystkie produkty firmy Vision są produkowane w Chińskiej Republice Ludowej.

## UŻYWAĆ TYLKO DOMOWYCH GNIAZD ELEKTRYCZNYCH

Podłączenie urządzenia do gniazda dostarczającego wyższe napięcie może być przyczyną pożaru.



## **ZACHOWAĆ OSTROŻNOŚĆ PRZY OBSŁUDZE PRZEWODU ZASILAJĄCEGO**

Nie należy odłączać wtyczki od gniazda elektrycznego, pociągając za przewód. Zawsze należy pociągać za wtyczkę. Pociągnięcie za przewód może spowodować jego uszkodzenie. Jeśli urządzenie nie będzie używane przez dłuższy czas, należy odłączyć je od gniazda elektrycznego. Na przewodzie zasilającym nie należy umieszczać mebli ani innych ciężkich przedmiotów. Należy unikać upuszczania ciężkich przedmiotów na przewód. Na przewodzie zasilającym nie wolno wiązać węzłów. Może to doprowadzić nie tylko do uszkodzenia przewodu, ale także spowodować spięcie, które może być przyczyną pożaru.

## **MIEJSCE INSTALACJI**

Należy unikać instalacji produktu w następujących miejscach:

- Miejsca wilgotne
- Miejsca narażone na bezpośrednie działanie promieni słonecznych lub w pobliżu urządzeń grzewczych
- Miejsca bardzo zimne
- Miejsca narażone na nadmierne wibracje lub zapylenie
- Miejsca słabo wentylowane

Nie należy umieszczać tego produktu w miejscach narażonych na zamoczenie lub ochłapanie. NA TYM PRODUKCIE ANI W JEGO POBLIŻU NIE NALEŻY UMIESZCZAĆ PRZEDMIOTÓW WYPEŁNIONYCH CIECZĄ!

## **PRZENOSZENIE URZĄDZENIA**

Przed przeniesieniem urządzenia należy odłączyć przewód zasilający od gniazda elektrycznego i odłączyć przewody łączące z innymi urządzeniami.

## **OBJAWY OSTRZEGAWCZE**

W przypadku wykrycia nietypowego zapachu lub dymu należy natychmiast wyłączyć ten produkt i odłączyć przewód zasilający. Należy skontaktować się ze sprzedawcą lub firmą Vision.

## **OPAKOWANIE**

Należy zachować wszystkie materiały opakowaniowe. Są one niezbędne w przypadku konieczności wysyłki urządzenia w celu dokonania naprawy.

JĘŚLI W CELU PRZESŁANIA URZĄDZENIA DO CENTRUM SERWISOWEGO NIE ZOSTANIE UŻYTE ORYGINALNE OPAKOWANIE, USZKODZENIA POWSTAŁE W TRANSPORCIE NIE BĘDĄ OBJĘTE GWARANCJĄ.

## **MOC**

Najbardziej spójnymi standardami pomiaru mocy są „Program Power” oraz „RMS”, ponieważ mierzą one średnie podtrzymane poziomy.

Jeżeli głośniki mają zintegrowane wzmacniacze, obciążenie (rezystancja, mierzona w omach) jest znane, dlatego moc znamionowa jest stała.

## **OSTRZEŻENIA SPECJALNE**

Z produktu nie wolno korzystać w pobliżu samolotów lub urządzeń medycznych. Produkt może powodować zakłócenia.

Korzystanie z produktu w następujących miejscach może powodować nieprawidłowe odtwarzanie obrazu wideo oraz dźwięku:

- Produkt zamontowany na betonowych ścianach
- Produkt umieszczony w pobliżu lodówki, kuchenki mikrofalowej lub innych metalowych urządzeń
- W pomieszczeniu znajduje się wiele przedmiotów, które mogą blokować sygnały

bezprzewodowe

Produkt został przetestowany i wyprodukowany zgodnie z przepisami bezpieczeństwa obowiązującymi we wszystkich krajach, jednak nie ma gwarancji, że w niektórych sytuacjach nie wystąpią zakłócenia. W przypadku wystąpienia zakłóceń dostosuj odległość pomiędzy nadajnikiem a odbiornikiem.

### **OŚWIADCZENIE FEDERAL COMMUNICATIONS COMMISSION (FEDERALNEJ KOMISJI DS. ŁĄCZNOŚCI) O ZAKŁÓCENIACH**

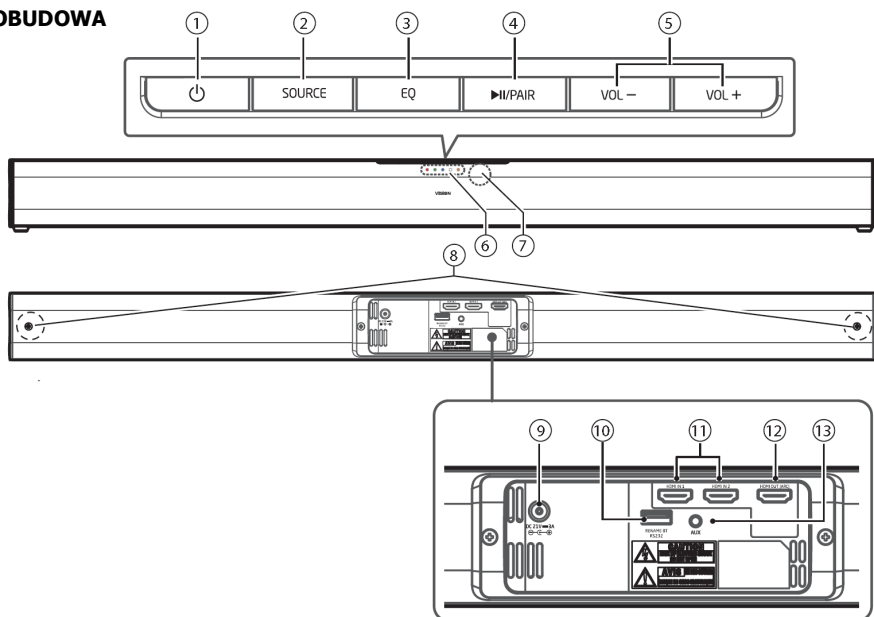
Urządzenie zostało przetestowane i wykazano jego zgodność z ograniczeniami dla urządzeń cyfrowych klasy B, zgodnie z Częścią 15 Zasad FCC. Sprzęt wytwarza, wykorzystuje i może emitować energię o częstotliwości radiowej, a w skrajnych przypadkach może powodować szkodliwe zakłócenia komunikacji radiowej. W takim przypadku należy spróbować:

- Zmienić umiejscowienie anteny odbiorczej
- Zwiększyć odstęp pomiędzy urządzeniem a odbiornikiem
- Podłączyć urządzenie do innego obwodu zasilania.

### **OŚWIADCZENIE O NARAŻENIU NA PROMIENIOWANIE:**

Urządzenie odpowiada ograniczeniom narażenia na promieniowanie podczerwone ustalonym dla środowiska niekontrolowanego. Sprzęt należy instalować i obsługiwać z zachowaniem minimalnej odległości 20 cm między anteną i ciałem użytkownika.

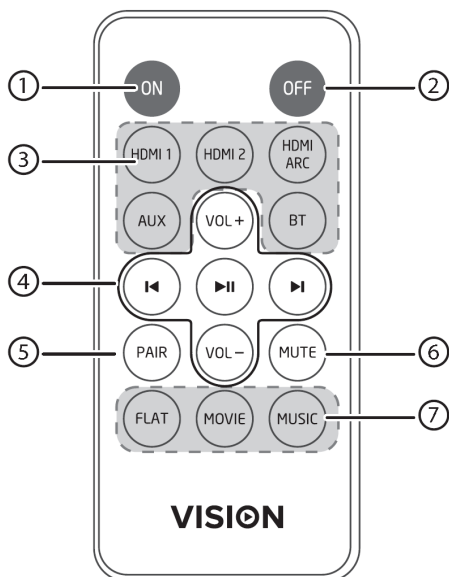
## OBUDOWA



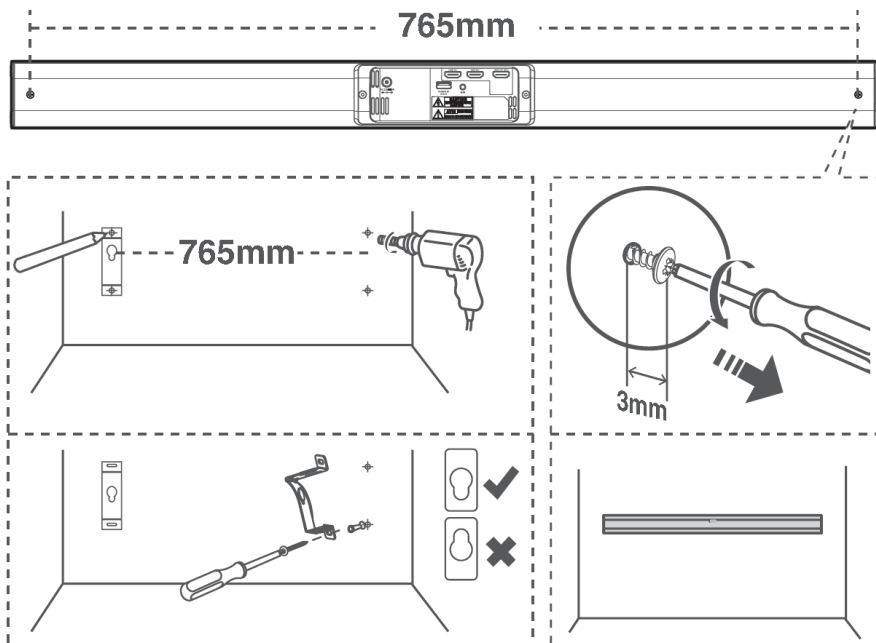
1. Przycisk trybu gotowości
2. Przycisk ŹRÓDŁA
3. Przycisk EQUALIZERA
4. Przycisk ODTWARZANIA/PAROWANIA
  - Odtwarza lub wstrzymuje odtwarzanie treści na urządzeniu źródłowym Bluetooth.
  - Naciśnij i przytrzymaj, aby aktywować funkcję parowania i rozłączyć aktualnie sparowane urządzenie.
5. Przyciski zwiększania/zmniejszania głośności. Gdy urządzenie Bluetooth jest sparowane i aktywne, przyciski te służą do regulacji głośności soundbara. Można też osobno ustawić poziom głośności sparowanego urządzenia.
6. Wskaźniki LED z przodu
  - **Czerwony** TRYB GOTOWOŚCI
  - **Zielony** AUX
  - **Niebieski** Bluetooth
  - **Biały** HDMI 1
  - **Migający biały** HDMI 2
  - **Pomarańczowy** HDMI ARC
7. Odbiornik pilota na podczerwień
8. Śruby do uchwytu ściennego
9. Gniazdo zasilania prądem stałym
10. Gniazdo USB-A do zmiany nazwy Bluetooth i PIN-u oraz do sterowania przez RS-232
11. Wejścia HDMI 1 i 2
12. Wyjście HDMI ARC
13. Wejście pomocnicze (AUX) – gniazdo minijack 3,5 mm

## PILOT

1. Włączanie
2. Wyłączanie
3. Wybór wejścia
4. Zwiększanie (VOL+) i zmniejszanie (VOL-) głośności  
W trybie Bluetooth przycisk odtwarzania służy do sterowania urządzeniem źródłowym.
5. Przycisk PAIR aktywuje funkcję parowania i rozłącza aktualnie sparowane urządzenie.
6. Wyciszenie
7. Przyciski EQUALIZERA



## INSTALACJA



## AUTOMATYCZNE PRZEJŚCIE W TRYB GOTOWOŚCI

Ten produkt ma tryb gotowości i jest zgodny z dyrektywą o produktach związanych z energią (2009/125/WE).

- Wyłączy się po 15 minutach.
- Włączy się automatycznie po wykryciu sygnału.
- Wykrycie sygnału zależy od czułości wejścia. Upewnij się, że urządzenie źródłowe ma podgłośniony dźwięk.

## WYŁĄCZ

Przejdź w tryb GOTOWOŚCI, a następnie przytrzymaj przycisk zwiększania głośności (VOL+), aż zamiga niebieskie światło. Niebieska dioda LED zamiga powoli jeden raz.

Aby włączyć funkcję, wykonaj te same kroki. Niebieska dioda LED zamiga szybko trzy razy.

## PRZERWY W ZASILANIU

W przypadku wyłączenia i włączenia zasilania sieciowego produkt automatycznie włączy się z powrotem i przywróci wcześniejsze ustawienia.

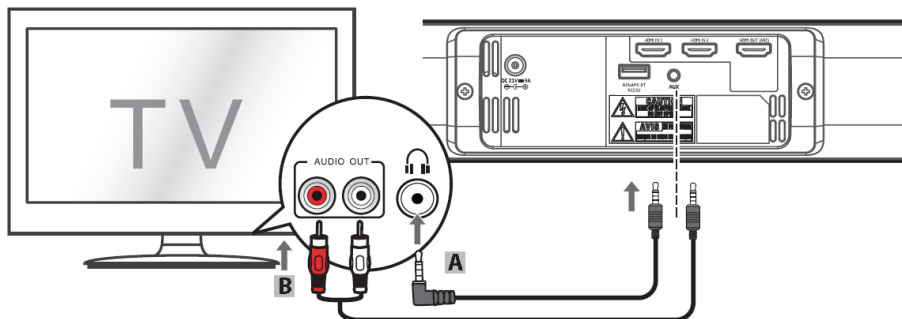
## EQUALIZER

Naciśnięcie tego przycisku spowoduje przełączenie między:

- Muzyka
- Film
- Głos

## WEJŚCIE MINIJACK (GNIAZDO SŁUCHAWKOWE)

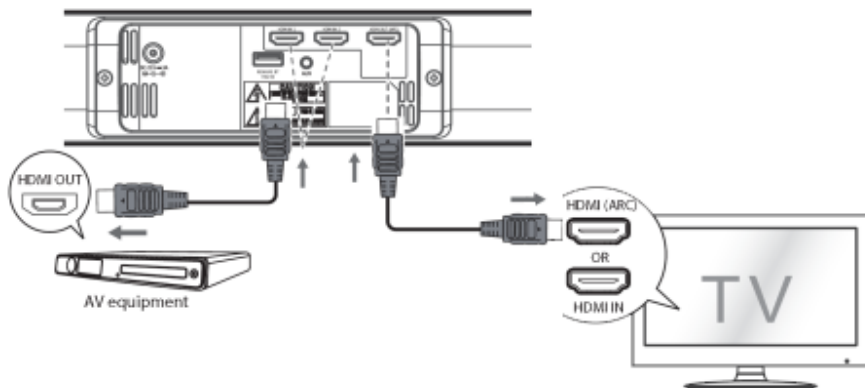
Podłącz urządzenie źródłowe tak jak na ilustracji (kable nie są dołączone do produktu)



Do regulacji głośności można używać pilota od telewizora tak jak na ilustracji. Uwaga: nie wszystkie telewizory mają gniazdo słuchawkowe.

## WEJŚCIA HDMI

Podłącz urządzenie źródłowe tak jak na ilustracji (kable nie są dołączone do produktu)



### **WEJŚCIE HDMI ARC (kanał zwrotny audio)**

Podłącz **WEJŚCIE** ARC w soundbarze SB-1900P do **WYJŚCIA** ARC w urządzeniu wyświetlającym. Głośniki w urządzeniu wyświetlającym zostaną wyłączone. Pilot urządzenia wyświetlającego będzie teraz sterował soundbarem.

Uwaga: nie wszystkie urządzenia wyświetlające są wyposażone w wyjście ARC, może być konieczne jego aktywowanie w menu.

### **STANDARDOWE WEJŚCIA HDMI**

Podłącz źródło lub źródła do wejścia 1 i 2.

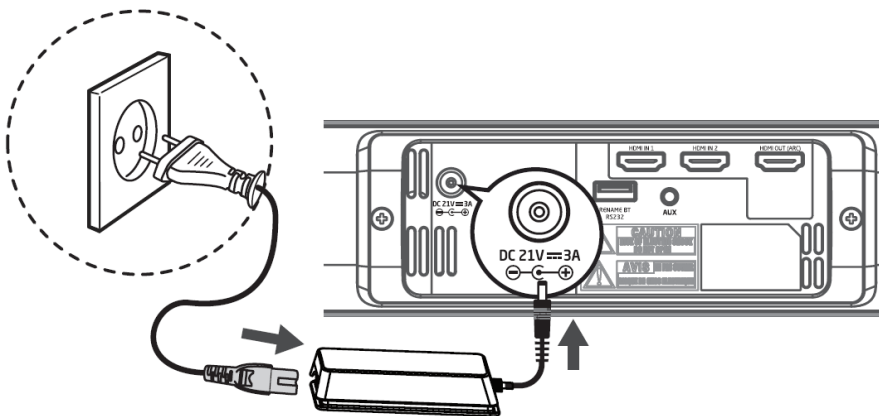
Podłącz wyjście HDMI w soundbarze SB-1900P do normalnego wejścia HDMI w urządzeniu wyświetlającym.

Uwaga: jeśli nie ma dźwięku i lampki stanu migają szybko, konieczne może być aktywowanie sygnału PCM w urządzeniu źródłowym.

## PODŁĄCZANIE ZASILANIA

Przed podłączeniem zasilania upewnij się, że wykonane zostały wszystkie pozostałe połączenia.

Rozwiń przewód zasilania prądem stałym na całą długość. Podłącz jeden koniec przewodu do gniazda z tyłu soundbara, a drugi koniec do gniazda elektrycznego.





## WEJŚCIE BLUETOOTH

Przy pierwszym podłączeniu konieczne jest sparowanie urządzenia. W tym przykładzie pokazano jak sparować telefon.

1. **NACIŚNIJ PRZYCISK ŹRÓDŁA (SOURCE), ABY WŁĄCZYĆ WEJŚCIE BLUETOOTH.** Zacznie migać niebieski wskaźnik.
2. **W TELEFONIE PRZEJDŹ DO USTAWIENIA/BLUEOOTH.** Na liście zobaczysz SB-1900P. Jeśli nie, soundbar może być już sparowany z innym urządzeniem (niebieski wskaźnik przestanie migać). Naciśnij przycisk PAIR na pilocie lub naciśnij i przytrzymaj przycisk PAIR na głośniku, aż zacznie migać niebieski wskaźnik.
3. **WPISZ HASŁO 0000** (cztery zera). Po sparowaniu niebieski wskaźnik będzie świecił nieprzerwanie.

### Uwagi:

- Zasięg działania wynosi około 8 metrów.
- W przypadku słabego sygnału i utraty połączenia soundbar powróci do trybu parowania.
- Ten produkt używa Bluetooth w wersji 4.2. Nie ma gwarancji, że będzie działał ze wszystkimi urządzeniami źródłowymi.
- Ten produkt można sparować tylko z jednym urządzeniem źródłowym naraz.
- Jeśli urządzenie źródłowe nie zostanie sparowane w ciągu 2 minut, produkt powróci do poprzedniego źródła.
- To urządzenie obsługuje A2DP (Profil zaawansowanej dystrybucji audio) oraz AVRCP (Profil zdalnego sterowania audio/wideo).

## ZMIANA NAZWY BLUETOOTH

1. Utwórz plik tekstowy na komputerze pod nazwą **ubt\_cfg.txt** i zapisz go w głównym katalogu przenośnej pamięci USB typu pendrive.



2. Otwórz plik i skopiuj do niego tę treść:

A screenshot of a text editor window titled 'ubt\_cfg.txt'. The window has a menu bar with 'File', 'Edit', 'Format', 'Options', and 'Help'. The main text area contains the following configuration settings:

```
RS UDISK FOR CONFIG SETTING:  
BT_NAME:SB-1900P_1822 Room  
PIN_CODE:5678  
#
```

Uwaga: można edytować tylko czerwony tekst. Maksymalna długość to 32 znaki.

Jeśli jako PIN wpisany zostanie znak alfabetyczny lub nic, będzie to uznawane za brak PIN-u.

3. Odłącz zasilanie od soundbara.
4. Naciśnij i przytrzymaj przycisk EQ.
5. Podłącz zasilanie. Wszystkie diody LED źródła zamigają 2 razy, wskazując tryb zmiany nazwy Bluetooth.
6. Włóż pendrive USB do portu. Nazwa zostanie zaktualizowana automatycznie.  
Aby potwierdzić zmianę **nazwy** Bluetooth, dioda LED zamiga powoli **1 raz**.  
Aby potwierdzić zmianę **nazwy i PIN-u** Bluetooth, dioda LED zamiga **3 razy**.

## RS-232

Komunikacja w standardzie RS-232 odbywa się przez port USB.

W tym celu użyj przejściówki USB na RS-232 dołączonej do zestawu. Inne przejściówki USB na RS-232 mogą nie działać.

Układ pinów:

Pin	2	3	5
Sygnal	TXD	RXD	GND

Taka konfiguracja pinów pozwala komputerowi na uruchomienie programu terminala portu szeregowego (np. Hyper Terminal) do komunikowania się z soundbarem przy użyciu 9-pinowego kabla szeregowego DB9 RS-232.

NIE używaj kabla typu Null-Modem do połączenia z komputerem.

Ustawienia komunikacji:

Szybkość transmisji	Bity danych	Bit parzystości	Bit stopu	Kontrola przepływu danych
19200	8	Brak	1	Brak

### Struktura polecenia:

Każde polecenie zaczyna się od znaku # (ASCII 0x23), po którym następuje 3-znakowy kod polecenia.

Aby wskazać ewentualne parametry polecenia, należy wpisać parametry w formacie tekstowym, oddzielając je **spacją** (ASCII 0x20) od kodu polecenia.

W parametrach nigdy nie może pojawiać się znak #.

Znak końca linii CR (ASCII 0x0d) wskazuje koniec polecenia.

Po znaku CR można opcjonalnie postawić znak końca linii LF (ASCII 0x0a), będzie on ignorowany. Pojedyncze polecenie ogólnie nie może przekraczać 20 bajtów, łącznie z bajtami początku i końca polecenia.

Wzór struktury polecenia:

<Polecenie> = <Początek polecenia><Kod polecenia>[<sp><Parametry>]<Koniec polecenia>

<Początek polecenia> = #, ASCII 0x23

<Kod polecenia> = <byte><byte><byte>

<sp> = spacja, ASCII 0x20

<Parametry> = dotyczące polecenia

<Koniec polecenia> = CR, ASCII 0x0d LF, ASCII 0x0a

## Struktura odpowiedzi:

Po otrzymaniu polecenia soundbar wykona polecenie i odeśle odpowiedź.

- Odpowiedź zaczyna się od znaku „@” (ASCII 0x23), po którym następuje kod przesłanego polecenia i spacja (ASCII 0x20), a następnie kod wyniku, którym jest „OK” albo „ER”.
- W przypadku istnienia parametrów lub dodatkowych wiadomości zostaną one wskazane w formacie tekstowym i oddzielone spacją (ASCII 0x20) od kodu wyniku.
- Znak „@” (ASCII 0x40) nie może nigdy pojawiać się w parametrach ani w wiadomości.
- Znak końca linii CR (ASCII 0x0d) wskazuje koniec odpowiedzi. Pojedyncza odpowiedź ogólnie nie może przekraczać 25 bajtów, łącznie z bajtami początku i końca odpowiedzi.
- Wzór struktury odpowiedzi:

<Odpowiedź> = <Początek odpowiedzi><Kod polecenia><sp><Kod wyniku>[<sp><Parametry>]<Koniec odpowiedzi>

<Początek odpowiedzi> = @, ASCII 0x40

<Kod polecenia> = <byte><byte><byte>

<Kod wyniku> = OK|ER

<sp> = spacja, ASCII 0x20

<Parametry> = dotyczące polecenia

<Koniec odpowiedzi> = CR, ASCII 0x0d

## Struktura wiadomości o zmianie stanu:

Jeśli tryb opisowy ustawiony jest na 2 lub 3, soundbar będzie automatycznie wysyłał wiadomości o zmianie stanu. Te wiadomości nie są generowane w odpowiedzi na żadne konkretne polecenie. Wszelkie zmiany stanu spowodowane poleceniami wydanymi z terminala RS232, przyciskami z przodu urządzenia lub pilotem na podczerwień, a także wynikające z postępu odtwarzania, mogą wygenerować wiadomości o zmianie stanu.

Wiadomości o zmianie stanu mają następującą strukturę:

<Wiadomość> = <Początek wiadomości> <Kod stanu> [<sp> <Parametry>] <Koniec wiadomości>

<Początek wiadomości> = @, ASCII 0x40

<Kod stanu> = <byte> <byte> <byte>

<sp> = spacja, ASCII 0x20

<Parametry> = status-specific

<Koniec odpowiedzi> = CR, ASCII 0x0d

## Kolejność poleceń:

Polecenia są wykonywane w kolejności ich otrzymywania. Klientkie oprogramowanie sterujące powinno poczekać na odpowiedź od soundbara przed wysłaniem następnego polecenia.

Jeśli soundbar otrzyma nowe polecenie, zanim wykona poprzednie, wówczas soundbar może wykonać polecenia według kolejności lub odrzucić poprzednie polecenie, w zależności od wewnętrznego procesu przetwarzania. Klientkie oprogramowanie sterujące powinno unikać wysyłania wielu poleceń po kolei bez zaczekania na odpowiedź.

Jeśli host nie otrzyma odpowiedzi od soundbara po 10 sekundach od wydania polecenia, host może uznać, że podczas transmisji doszło do utraty polecenia lub odpowiedzi, i przesać polecenie ponownie.

## A. Polecenia pilota

Polecenia są przypisane do przycisków pilota.

Dla tych poleceń nie są wymagane parametry. Soundbar obsługuje polecenia tak samo jak w przypadku poleceń wydanych z pilota na podczerwień.

Kod polecenia	Przycisk pilota	Funkcja	Przykład odpowiedzi
#POW 23 50 4F 57 0D	POWER	Uruchomienie TRYBU GOTOWOŚCI i WŁĄCZENIE urządzenia	"@ OK ON/OFF" ON Uruchomienie OFF Wyłączenie
#PON 23 50 4F 4E 0D	ON	Odrębne włączanie	"@ OK ON" ON Uruchomienie
#POF 23 50 4F 46 0D	OFF	Odrębne wyłączenie	"@ OK OFF" OFF Wyłączenie
#VUP 23 56 55 50 0D	VOL +	Zwiększenie głośności	"@ OK xx" STE VOL xx
#VDN 23 56 44 4E 0D	VOL -	Zmniejszenie głośności	"@ OK xx" STE VOL xx
#MUT 23 4D 55 54 0D	MUTE	Wyciszenie dźwięku	"@ OK MUT" STE MUTE
#SRC 23 53 52 43 0D	SOURCE	Funkcja przełączania	"@ OK AUX/ABT/CAO/OPT/ARC/HD1/HD2/STANDBY" STE SOURCE xxx
#NEQ 23 4E 45 51 0D	EQ	Przełączanie między trybami equalizera	"@ OK MUST" "@ OK MOVT" "@ OK NEWS" "@ OK FLAT" STE EQ xxx
#PLA 23 50 4C 41 0D	PLAY	Rozpoczęcie odtwarzania	"@ OK" MUSIC PLAY
#PRE 23 50 52 45 0D	PREV	Przeskok do poprzedniego	"@ OK"
#NXT 23 4E 58 54 0D	NEXT	Przeskok do następnego	"@ OK"
#PAR 23 50 41 52 0D	PAIR	BT parowanie	"@ OK"

## Komendy wejściowe

Adnotacja z września 2019 r.: może być wymagana aktualizacja oprogramowania sprzętowego, aby poniższe polecenia działały prawidłowo

#SSR AUX	23 53 53 52 20 41 55 58 0D	AUX
#SSR BT	23 53 53 52 20 42 54 0D	BT
#SSR ARC	23 53 53 52 20 41 52 43 0D	ARC
#SSR HD1	23 53 53 52 20 48 44 31 0D	HDMI1
#SSR HD2	23 53 53 52 20 48 44 32 0D	HDMI2
#SEQ MOV	23 53 45 51 20 4D 4F 56 0D	MOVIE
#SEQ MUS	23 53 45 51 20 4D 55 53 0D	MUSIC
#SEQ NEW	23 53 45 51 20 4E 45 57 0D	NEWS

## B. Polecenia zapytań

Ta grupa poleceń służy do wysyłania zapytań do soundbara. Soundbar wyśle odpowiedź zgodnie ze swoim aktualnym stanem.

Kod polecenia	Funkcja	Przykład odpowiedzi
#QVM 23 51 56 4D 0D	Zapytanie o tryb opisowy	"@ OK 0" tryb opisowy 0 "@ OK 1" tryb opisowy 1 "@ OK 2" tryb opisowy 2 "@ OK 3" tryb opisowy 3
#QPW 23 51 50 57 0D	Zapytanie o stan zasilania	"@ OK ON" dźwięk włączony "@ OK OFF" dźwięk wyłączony
#QVR 23 51 56 52 0D	Zapytanie o wersję oprogramowania sprzętowego	"@ OK 0 xx" wersja 0 xx
#QVL 23 51 56 4C 0D	Zapytanie o poziom głośności	"@ OK 0-32 " dźwięk działa, poziom głośności xx "@ OK MUTE" dźwięk wyciszony
#QPL 23 51 50 4C 0D	Zapytanie o stan odtwarzania	"@ OK PLAY " W trakcie odtwarzania
#QRP 23 51 52 50 0D	Zapytanie o tryb powtarzania	"@ OK REPF "
#QSR 23 51 53 52 0D	Zapytanie o źródło wejściowe	"@ OK AUX/ABT/CAO/OPT/ARC/HD1/HD2/STANDBY " Aktywne źródło xx
#QEQ 23 51 45 51 0D	Zapytanie o tryb equalizera	"@ OK MUSI" "@ OK MOVI" "@ OK NEWS" "@ OK FLAT" Aktywny tryb equalizera xx



### C. Polecenia zaawansowane

Ta grupa poleceń instruuje soundbar do wykonania złożonej operacji w jednym kroku.

Kod polecenia	Parametry	Funkcja	Przykład odpowiedzi
#SVM 23 53 56 4D X 0D	30 Zamknij tryb opisowy 31 Brak funkcji 32 Aktualizowany w przypadku zmiany istotnych parametrów 33 Aktualizowany o określonej porze	Ustawianie trybu opisowego	"@ OK "
#SVL	0 – 32 MUTE	Ustawianie poziomu głośności np. #SVL 9 = POZIOM GŁOŚNOŚCI 9 23 53 56 4C 20 39 0D  np. #SVL MUT = WYCISZENIE 23 53 56 4C 20 4D 55 54 0D	OK 32 OK MUTE
#SRP	ALL CH OFF RND	Powtórz wszystkie Powtórz rozdział Wyłącz powtarzanie Losowe	OK RPTA OK RPT1 OK RPTF OK RPTR
#SSR 23 53 53 52 X 0D	41 55 58 Ustaw źródło AUX 42 54 Ustaw źródło BT 41 52 43 Ustaw źródło ARC 48 44 31 Ustaw źródło HDMI 1 48 44 32 Ustaw źródło HDMI 2	Ustawianie źródła wejściowego	"@ OK " SET źródło OK
#SEQ 23 53 45 51 X 0D	4D 4F 56 Ustaw tryb equalizera MOVIE 4D 55 53 Ustaw tryb equalizera MUSIC 4E 45 57 Ustaw tryb equalizera NEWS	Ustawianie trybu equalizera	"@ OK " SET EQ OK
#RST		Polecenie resetu – powoduje wyczyszczenie bufora poleceń bez oczekiwania na wykonywane/oczekujące polecenia.	

		Rozpoczęcie od nowa.	
#QVL 23 53 56 76 X 0D	Szczegółowe ustawienia poziomu głośności w tabeli poniżej	Ustawianie poziomu głośności	"@ OK " SET VOL OK

## Polecenia dotyczące poziomu głośności

VOL (X)	Kod szesnastkowy
0-9	30-39
10	31 30
11	31 31
12	31 32
13	31 33
14	31 34
15	31 35
16	31 36
17	31 37
18	31 38
19	31 39
20	32 30
21	32 31
22	32 32
23	32 33
24	32 34
25	32 35
26	32 36
27	32 37
28	32 38
29	32 39
30	32 30
31	32 31
32	33 32
MUT	4D 55 54

## **Wiadomości o zmianie stanu:**

Następujące wiadomości o zmianie stanu są wysyłane przez soundbar automatycznie, jeśli tryb opisowy ustawiony jest na 2 lub 3.

### **UPW** - Powiadomienie o stanie zasilania:

Wysyłane w przypadku zmiany stanu zasilania: włączone/wyłączone. Możliwe parametry: 2 znaki

ON – Jednostka jest włączona

OFF – Jednostka wyłącza się

Przykład: UPW ON

### **USR** - Powiadomienie o stanie funkcjonowania:

Wysyłane, gdy funkcja jest używana. Możliwe parametry: 3 znaki

AUX – Wejście pomocnicze

(AUX)

OPT – Wejście optyczne

COA – Wejście Coaxial

ABT – Wejście Bluetooth

ARC – Wejście HDMI ARC

Przykład: USR ABT

### **UPL** - Powiadomienie o stanie odtwarzania

Wysyłane w przypadku zmiany stanu odtwarzania. Możliwe parametry: 4 znaki

PLAY – Zaczyna się odtwarzanie

PAUS – Odtwarzanie jest wstrzymane

STOP – Odtwarzanie jest zatrzymane

Przykład: UPL PLAY

### **URP** – Powiadomienie o stanie odtwarzania w trybie powtarzania

Wysyłane w przypadku zmiany stanu odtwarzania w trybie powtarzania. Możliwe parametry: 4 znaki

RPTA – Powtarzanie wszystkiego

RPT1 – Powtarzanie rozdziału

RPTF – Powtarzanie jest wyłączone

RPTR – Losowe

Przykład: UPR RPTA

### **UVL** - Powiadomienie o zmianie poziomu głośności:

Wysyłane w momencie zmiany poziomu głośności lub wyciszenia dźwięku. Możliwe parametry: 3 znaki

MUT – Włączono wyciszenie

000 .. 100 – Aktualny poziom głośności (wysyłane również w przypadku anulowania wyciszenia). Przykład: UVL 068

**UEQ** – Powiadomienie o zmianie trybu equalizera

Wysyłane w przypadku zmiany domyślnego stanu equalizera. Możliwe parametry:

4 znaki

MUSI – Włączono tryb equalizera MUSIC

MOVI – Włączono tryb equalizera MOVIE

FLAT – Włączono tryb equalizera FLAT

NEWS – Włączono tryb equalizera NEWS

GAME – Włączono tryb equalizera GAME

Przykład: UEQ MUSI.

VISION

# **COLUNAS ELÉTRICAS SB-1900P**

## **MANUAL DO UTILIZADOR**



[www.visionaudiovisual.com/pt-pt/techaudio/sb-1900p/](http://www.visionaudiovisual.com/pt-pt/techaudio/sb-1900p/)

## DECLARAÇÃO DE CONFORMIDADE

Quando aplicável, os produtos Vision são certificados e cumprem todos os regulamentos locais conhecidos para uma norma de "Certificação CB". A Vision compromete-se a garantir que todos os produtos estão em total conformidade com todas as normas de certificação aplicáveis para venda na UE e noutros países participantes.

O produto descrito neste manual do utilizador está em conformidade com as normas RoHS (Diretiva da UE 2002/95/EC) e WEEE (Diretiva da UE 2002/96/EC). Este produto deve ser devolvido ao local de compra no final da sua vida útil para ser reciclado.

## AVISOS



**CAUTION**  
RISK OF ELECTRIC SHOCK  
DO NOT OPEN



### **CUIDADO: RISCO DE CHOQUE ELÉTRICO NÃO ABRIR**

CUIDADO: PARA REDUZIR O RISCO DE CHOQUE ELÉTRICO, NÃO RETIRE A TAMPA (OU COBERTURA POSTERIOR). NÃO CONTÉM PEÇAS NO INTERIOR QUE NECESSITEM DE MANUTENÇÃO POR PARTE DO UTILIZADOR. SOLICITE ASSISTÊNCIA A PESSOAL QUALIFICADO.



O símbolo de um raio com uma flecha dentro de um triângulo equilátero pretende alertar o utilizador quanto à presença de "voltagem perigosa" não isolada no interior do produto, que pode ter magnitude suficiente para constituir um risco de choque elétrico em pessoas.



O ponto de exclamação dentro de um triângulo equilátero pretende alertar o utilizador quanto à presença de instruções de funcionamento e manutenção (assistência) importantes na literatura que acompanha o aparelho.

**AVISO: PARA REDUZIR O RISCO DE INCÊNDIO OU CHOQUE ELÉTRICO, NÃO EXPONHA ESTE APARELHO A CHUVA OU HUMIDADE.**

Todos os produtos foram concebidos e importados para a UE pela "Vision", que é totalmente detida pela "Azlan Logistics Ltd.", registada em Inglaterra com o n.º 04625566, com sede em Lion House, 4 Pioneer Business Park, Clifton Moor, York, YO30 4GH. Registo WEEE: GD0046SY



## DECLARAÇÃO DE ORIGEM

Todos os produtos Vision são fabricados na República Popular da China (RPC).

## UTILIZE APENAS TOMADAS DE CA DOMÉSTICAS

Ligar o aparelho a uma tomada com uma voltagem superior poderá provocar risco de incêndio.

## **MANUSEIE O CABO DE ALIMENTAÇÃO COM CUIDADO**

Não desligue a ficha da tomada de CA puxando o cabo; puxe sempre pela própria ficha. Puxar pelo cabo poderá danificá-lo. Se não pretender usar o aparelho durante um período de tempo considerável, desligue-o da tomada. Não coloque mobiliário ou outros objetos pesados sobre o cabo e evite deixar cair coisas pesadas sobre ele. Não faça nós no cabo de alimentação, pois não só o cabo poderá ficar danificado como poderá ocorrer um curto circuito e o consequente risco de incêndio.

## **LOCAL DE INSTALAÇÃO**

Evite instalar o produto em locais que sejam:

- Molhados ou húmidos
- Expostos à luz solar direta ou perto de equipamento de aquecimento
- Extremamente frios
- Sujeitos a vibração excessiva ou pó
- Mal ventilados

Não exponha este produto a gotas ou salpicos. **NÃO COLOQUE OBJECTOS CHEIOS DE LÍQUIDOS SOBRE O PRODUTO OU PERTO DESTES!**

## **DESLOCAR O APARELHO**

Antes de deslocar o aparelho, certifique-se de que retira o cabo de alimentação da tomada de CA e de que desliga os cabos que o ligam a outros aparelhos.

## **SINAIS DE AVISO**

Se detectar um odor anormal ou fumo, desligue imediatamente o produto e retire o cabo de alimentação da tomada. Contacte o seu revendedor ou a Vision.

## **EMBALAGEM**

Guarde todo o material de embalagem, pois será essencial para o envio caso o aparelho necessitar de reparação.

**SE NÃO FOR USADA A EMBALAGEM ORIGINAL PARA ENVIAR O APARELHO AO CENTRO DE ASSISTÊNCIA, OS DANOS SOFRIDOS DURANTE O TRANSPORTE NÃO SERÃO ABRANGIDOS PELA GARANTIA.**

## **WATTS**

As normas mais consistentes para medição de watts são a "Program Power" e a "RMS", pois medem os níveis médios suportados.

Quando os altifalantes têm amplificadores integrados, a carga (resistência, medida em ohms) é conhecida para que a classificação de watts seja corrigida.



## **ALERTAS ESPECIAIS**

Nunca utilize este equipamento perto de um avião ou de instalações de saúde. Ele pode causar interferência.

A utilização do equipamento nos seguintes locais pode resultar numa saída de vídeo e áudio anormal:

- Equipamento instalado em paredes feitas de betão;
- Equipamento localizado junto a um frigorífico, forno de micro-ondas ou outros dispositivos metálicos;
- Um espaço demasiado cheio, onde os sinais wireless podem ficar bloqueados.

Este equipamento foi testado e fabricado para estar em conformidade com as regras de segurança de cada país; no entanto, não há garantia de que não ocorra interferência em algumas situações. Se houver interferência, ajuste a distância entre o transmissor e o recetor.

## **DECLARAÇÃO DE INTERFERÊNCIA DA COMISSÃO FEDERAL DE COMUNICAÇÕES**

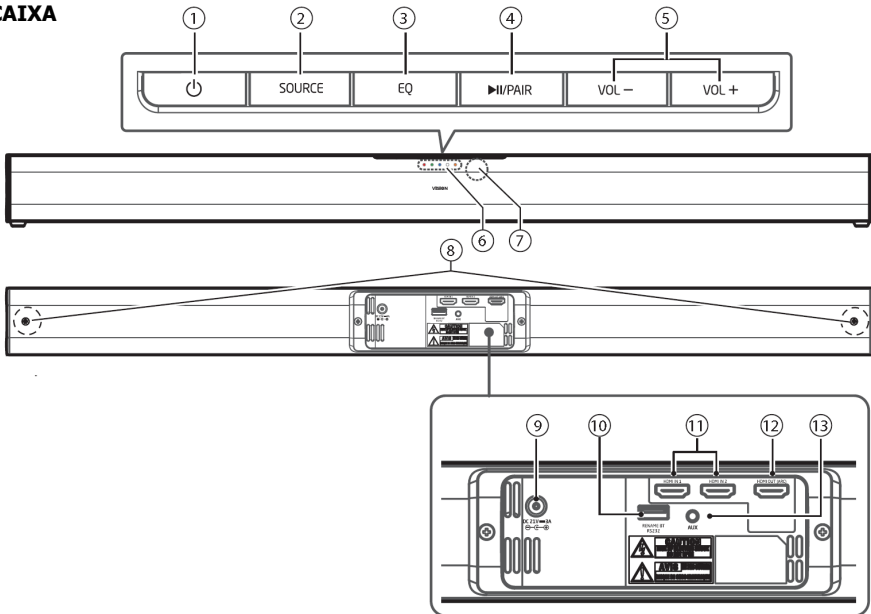
Este equipamento foi testado e considerado em conformidade com os limites para um dispositivo digital de Classe B, de acordo com a Parte 15 das Regras da FCC. Este equipamento gera, usa e pode irradiar energia de radiofrequência e, em casos extremos, pode provocar interferências prejudiciais nas comunicações de rádio. Se isso acontecer, o utilizador deverá tentar:

- Reposicionar a antena recetora;
- Aumentar a distância que separa o equipamento do recetor;
- Ligar o equipamento a um circuito de corrente diferente.

## **DECLARAÇÃO SOBRE EXPOSIÇÃO A RADIAÇÕES:**

Este equipamento está em conformidade com os limites de exposição a radiações provenientes de circuitos integrados, definidos para um ambiente não controlado. Este equipamento deve ser instalado e utilizado com uma distância mínima de 20 cm entre o irradiador e o seu corpo.

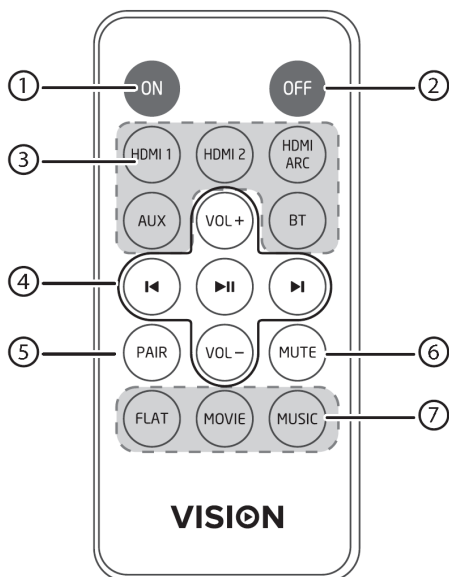
## CAIXA



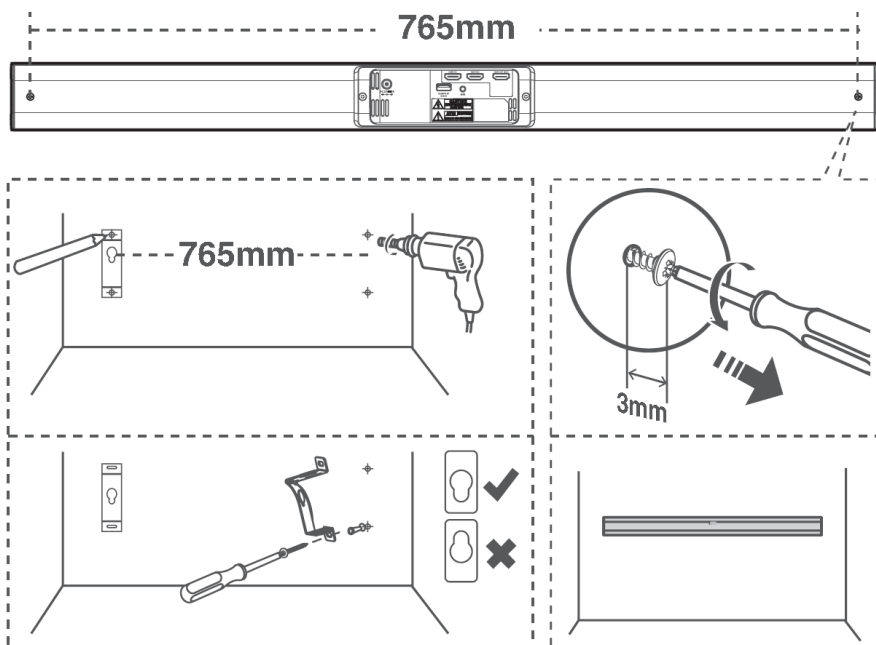
1. Botão Em espera
2. Botão SOURCE (Fonte)
3. Botão EQ (Equalizador)
4. Botão PLAY/PAIR (Reproduzir/Emparelhar)
  - Interromper ou reproduzir conteúdos no dispositivo Bluetooth fonte.
  - Premir e manter premido para ativar a função de emparelhamento e desligar o dispositivo emparelhado existente.
5. Botões VOL+/VOL-. Quando uma fonte BT está emparelhada e ativa, os botões do volume ajustam o volume da SB-1900P. O nível de volume no dispositivo também é ajustável de forma independente.
6. Indicadores LED na parte da frente
  - Vermelho MODO DE ESPERA
  - Verde AUXILIAR
  - Azul Bluetooth
  - Branco HDMI 1
  - Branco intermitente HDMI 2
  - Laranja HDMI ARC
7. Recetor de IV do telecomando
8. Parafusos para suporte de parede
9. Entrada de corrente CC
10. Entrada USB-A para mudar o nome e o pin do BT e para o controlo RS-232
11. Entradas HDMI 1 e 2
12. SAÍDA HDMI ARC
13. Entrada auxiliar para minificha de 3,5 mm

## TELECOMANDO

1. Ligado
2. Desligado
3. Seleção de entrada
4. VOL - aumentar e diminuir o volume  
PLAY (Reprodução) - em modo BT, controla o dispositivo fonte
5. PAIR (Emparelhar) - ativa a função de emparelhamento e desliga o dispositivo emparelhado no momento
6. Mute - sem som
7. EQ - botões de equalização



## INSTALAÇÃO



## MODO DE ESPERA AUTOMÁTICO

Este equipamento possui um modo de espera automático e cumpre com a Diretiva ErP 2009/125/CE, relativa à redução do consumo de energia.

- Desliga-se após 15 minutos.
- Liga-se automaticamente logo que o sinal é detetado.
- Para isso, depende da sensibilidade da entrada. Certificar-se de que o volume no dispositivo fonte está ativado.

## DESATIVAR

Colocar em MODO DE ESPERA e, em seguida, manter premido o botão V+ até a luz azul piscar. O LED azul pisca lentamente uma vez.

Para ativar, fazer o mesmo novamente. O LED azul pisca rapidamente três vezes.

## CICLO DE ALIMENTAÇÃO

Se a fonte de alimentação for desligada e novamente ligada, este equipamento volta a ligar-se automaticamente e retoma as definições anteriores.

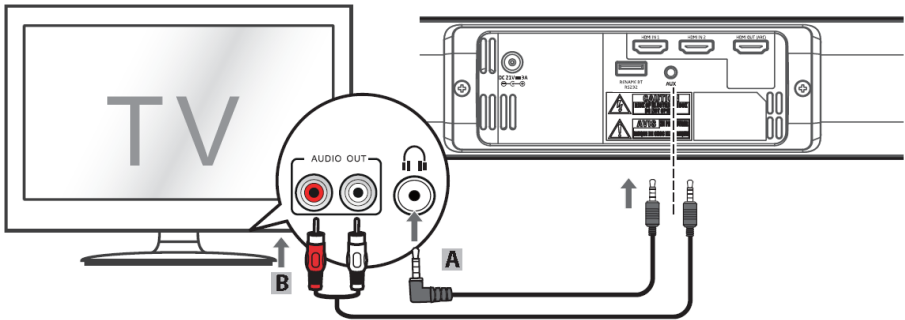
## EQUALIZAÇÃO

Ao premir este botão, passa por:

- Música
- Filme
- Discurso

## ENTRADA DE MINIFICHA (ENTRADA PARA AUSCULTADORES)

Ligar o dispositivo fonte como o ilustrado (cabos não incluídos)

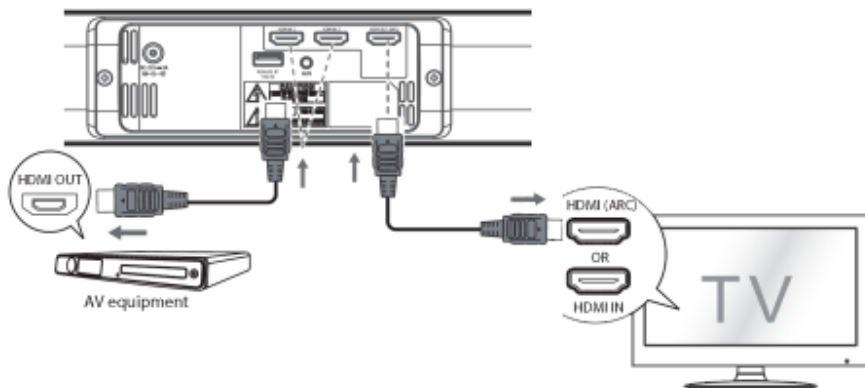


Se for usado como é ilustrado, o telecomando do televisor pode ser utilizado para ajustar o volume.

Nota: nem todos os televisores têm uma entrada para auscultadores.

## ENTRADAS HDMI

Ligar o dispositivo fonte como o ilustrado (cabos não incluídos)



### ***ENTRADA HDMI ARC (Audio Return Channel)***

Ligar a **ENTRADA** ARC na SB-1900P à **SAÍDA** ARC no ecrã.

As colunas do ecrã deixarão de funcionar.

O telecomando do ecrã passará a controlar a saída da barra de som.

Nota: nem todos os ecrãs têm uma saída ARC e poderá ter de a ativar no menu.

### ***ENTRADAS HDMI PADRÃO***

Ligar a(s) fonte(s) às entradas 1 e 2.

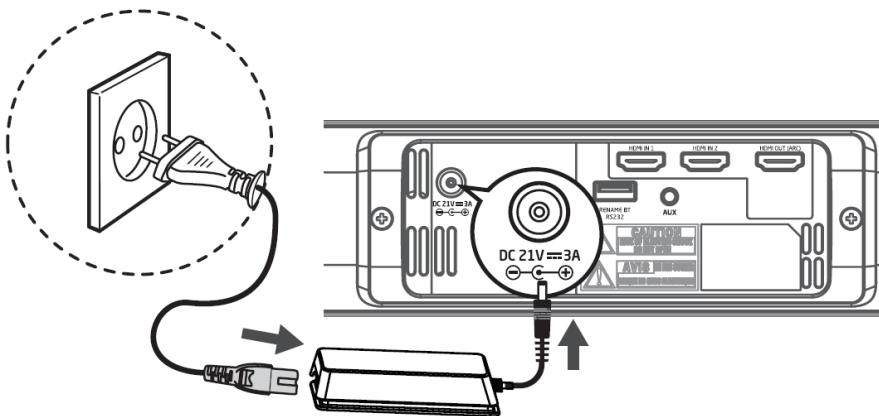
Ligar a saída HDMI da SB-1900P à entrada HDMI normal do ecrã

Nota: se não houver som e as luzes de estado piscarem rapidamente, poderá ter de ativar a saída de Sinal PCM no aparelho fonte.

## LIGAR À CORRENTE

Antes de ligar à corrente, deve concluir todas as outras ligações.

Desenrolar o cabo CC em todo o comprimento. Ligar a outra extremidade do cabo de alimentação à entrada na parte traseira da barra de som e depois ligar a ficha de alimentação à tomada de corrente.



## ENTRADA BLUETOOTH

Quando ligar pela primeira vez, terá de emparelhar o seu dispositivo. Para este exemplo, iremos emparelhar um telemóvel.

1. PREMIR SOURCE (FONTE) PARA ATIVAR A ENTRADA BT O indicador azul começa a piscar
2. NO TELEMÓVEL, IR A DEFINIÇÕES/BLUETOOTH Irá ver a SB-1900P numa lista. Caso contrário, é provável que já esteja emparelhada com outro dispositivo (o indicador azul terá deixado de piscar). Premir o botão PAIR (EMPARELHAR) no telecomando ou premir sem largar o botão PAIR (EMPARELHAR) na coluna, até o indicador azul começar a piscar.
3. INSERIR A PALAVRA-PASSE **0000** (zero repetido quatro vezes). Quando emparelhar, o indicador azul acende fixo.

### Notas:

- O alcance operacional é de, aproximadamente, 8 metros.
- Se o sinal tiver pouca força e a ligação se perder, a barra de som volta para o modo de emparelhamento.
- Este equipamento utiliza Bluetooth versão 4.2. Não é garantido que funcione com todos os dispositivos fonte.
- Este equipamento apenas pode emparelhar uma fonte de cada vez.
- Se nenhum dispositivo fonte for emparelhado ao fim de 2 minutos, voltará para a fonte anterior.
- Este dispositivo suporta A2DP (Perfil de distribuição de áudio avançado) e AVRCP (Perfil de telecomando de áudio/vídeo)



## MUDAR O NOME DO BLUETOOTH

1. Criar um ficheiro de texto simples no computador com o nome **ubt\_cfg.txt** e colocá-lo no diretório raiz de uma pen USB.



2. Abrir o ficheiro e copiar o seguinte conteúdo:

Captura de ecrã de um editor de texto com o seguinte conteúdo:

```
ubt_cfg.txt
File Edit Format Options Help
RS UDISK FOR CONFIG SETTING:
BT_NAME:SB-1900P_1822 Room
PIN_CODE:5678
#
```

Nota: apenas o texto a vermelho é editável. O comprimento máximo é de 32 caracteres. Se o pin for deixado em branco ou se for utilizado um carácter alfabético, será considerado sem pin.

3. Desligar a corrente da barra de som
4. Premir sem largar o botão EQ
5. Ligar à corrente. Todos os LED da fonte piscarão 2 vezes, para indicar o modo para renomear o BT.
6. Inserir a pen USB. O nome será atualizado automaticamente. Para confirmar a atualização **do nome**, o LED da entrada BT pisca lentamente **1 vez**. Para confirmar a atualização **do nome e do pin**, o LED da entrada BT pisca **3 vezes**.

## RS-232

O RS-232 funciona através da porta USB.

Usar o adaptador USB para RS-232 incluído. Outros adaptadores USB para RS-232 poderão não funcionar.

A saída de pinos é:

Pino	2	3	5
Sinal	TXD	RXD	GND

Esta configuração de pinos permite a um computador que corra um programa terminal de série (como o HyperTerminal) comunicar com a barra de som, através de um cabo de série direto RS-232 DB9 de 9 pinos.

NÃO usar um cabo do tipo "modem nulo" para ligação ao computador.

Definições de comunicação:

Velocidade de transmissão	Bits de dados	Paridade	Bit de paragem	Controlo de fluxo
19200	8	Nenhum	1	Nenhum

### Estrutura dos comandos:

Cada comando começa com o símbolo # (ASCII 0x23), seguido de um código de comando com 3 caracteres.

Se existirem parâmetros para o comando, eles são dados em formato de texto, separados do código de comando por um **espaço** (ASCII 0x20).

O carácter # nunca pode aparecer nos parâmetros.

Um final de linha (ASCII 0x0d) indica o fim do comando.

Opcionalmente, um avanço de linha (ASCII 0x0a) poderá seguir-se ao final de linha e será ignorado.

Normalmente, cada comando não poderá ultrapassar 20 bytes, incluindo os bytes de início de comando e fim de comando.

Abaixo encontra-se um exemplo da estrutura do comando:

<Comando> = <Início do comando><Código do comando>[<sp><Parâmetros>]<Fim do comando>

<Início do comando> = #, ASCII 0x23

<Código do comando> = <byte><byte><byte>

<sp> = espaço, ASCII 0x20

<Parâmetros> = específicos do comando

<Fim do comando> = CR, ASCII 0x0d LF, ASCII 0x0a

## Estrutura da resposta:

Quando recebe um comando, a barra de som executa-o e devolve uma resposta.

- A resposta começa com o símbolo "@" (ASCII 0x23), seguido do código de comando original e de um espaço (ASCII 0x20) e um código do resultado, que é "OK" ou "ER".
- Se existirem parâmetros ou mensagens adicionais, eles são dados em formato de texto, separados do código do resultado por um espaço (ASCII 0x20).
- O carácter "@" (ASCII 0x40) nunca pode aparecer nos parâmetros ou na mensagem.
- Um final de linha (ASCII 0x0d) indica o final da resposta. Normalmente, cada resposta não pode ultrapassar os 25 bytes, incluindo os bytes de início da resposta e de fim da resposta.
- Abaixo encontra-se o exemplo da estrutura da resposta:

<Resposta> = <Início da resposta><Código do comando><sp><Código do resultado>[<sp><Parâmetros>]<Fim da resposta>

<Início da resposta> = @, ASCII 0x40

<Código do comando> = <byte><byte><byte>

<Código do resultado> = OK|ER

<sp> = espaço, ASCII 0x20

<Parâmetros> = específicos do comando

<Fim da resposta> = CR, ASCII 0x0d

## **Estrutura das mensagens de atualização de estado:**

Se o modo Verbose (para informação pormenorizada) estiver definido para 2 ou 3, a barra de som envia mensagens de atualização do estado automaticamente. Estas mensagens não são uma resposta a um determinado comando. Qualquer alteração de estado causada pelos comandos do controlo RS232, dos botões do painel frontal, do telecomando por IV ou do progresso de reprodução poderá acionar mensagens de atualização de estado.

As mensagens de atualização de estado têm a seguinte estrutura:

<Atualização> = <Início da atualização><Código do estado>[<sp><Parâmetros>]<Fim da atualização>

<Início da atualização> = @, ASCII 0x40

<Código do estado> = <byte><byte><byte>

<sp> = espaço, ASCII 0x20

<Parâmetros> = status-specific

<Fim da resposta> = CR, ASCII 0x0d

## **Sequência dos comandos:**

Os comandos são executados pela ordem em que são recebidos. O software de controlo cliente deve aguardar por uma resposta da barra de som antes de enviar o comando seguinte.

Se a barra de som receber um novo comando antes de executar o comando anterior, poderá executar os comandos pela sequência ou eliminar o comando anterior, dependendo do processamento da barra de som. O software de controlo cliente deve evitar enviar vários comandos em sequência, sem aguardar por uma resposta.

Se o sistema anfitrião não receber uma resposta da barra de som 10 segundos após o comando ser emitido, ele poderá considerar que o comando ou a resposta se perderam durante a transmissão e poderá voltar a transmitir o comando.

## A. Comandos do telecomando

Comandos que são mapeados para os botões de um telecomando

Não são necessários parâmetros para estes comandos. A barra de som lida com os comandos como se os recebesse através do telecomando por IV.

Código do comando	Botão do telecomando	Função	Exemplo de resposta
#POW 23 50 4F 57 0D	POWER	Alternar entre EM ESPERA e LIGADO	"@ OK ON/OFF" ON Arranque OFF Desligar
#PON 23 50 4F 4E 0D	ON	Discreto ligado	"@ OK ON" ON Arranque
#POF 23 50 4F 46 0D	OFF	Discreto desligado	"@ OK OFF" OFF Desligar
#VUP 23 56 55 50 0D	VOL +	Aumentar o volume	"@ OK xx" STE VOL xx
#VDN 23 56 44 4E 0D	VOL -	Diminuir o volume	"@ OK xx" STE VOL xx
#MUT 23 4D 55 54 0D	MUTE	Áudio sem som	"@ OK MUT" STE MUTE
#SRC 23 53 52 43 0D	SOURCE	Mudar função	"@ OK AUX/ABT/CAO/OPT/ARC/HD1/HD2/STANDBY" STE SOURCE xxx
#NEQ 23 4E 45 51 0D	EQ	Mudar equalização predefinida	"@ OK MUSI" "@ OK MOVI" "@ OK NEWS" "@ OK FLAT" STE EQ xxx
#PLA 23 50 4C 41 0D	PLAY	Iniciar a reprodução	"@ OK" MUSIC PLAY
#PRE 23 50 52 45 0D	PREV	Ir para anterior	"@ OK"
#NXT 23 4E 58 54 0D	NEXT	Ir para seguinte	"@ OK"
#PAR 23 50 41 52 0D	PAIR	Emparelhar Bluetooth	"@ OK"

## Comandos de entrada

Nota de setembro de 2019: para estes códigos funcionarem, poderá ser necessária uma atualização do firmware

#SSR AUX	23 53 53 52 20 41 55 58 0D	AUX
#SSR BT	23 53 53 52 20 42 54 0D	BT
#SSR ARC	23 53 53 52 20 41 52 43 0D	ARC
#SSR HD1	23 53 53 52 20 48 44 31 0D	HDMI1
#SSR HD2	23 53 53 52 20 48 44 32 0D	HDMI2
#SEQ MOV	23 53 45 51 20 4D 4F 56 0D	MOVIE
#SEQ MUS	23 53 45 51 20 4D 55 53 0D	MUSIC
#SEQ NEW	23 53 45 51 20 4E 45 57 0D	NEWS

## B. Comandos de consulta

Este grupo de comandos emite consultas para a barra de som. A barra de som responderá de acordo com o respetivo estado atual.

Código de comando	Função	Exemplo de resposta
#QVM 23 51 56 4D 0D	Consultar modo Verbose	"@ OK 0" Modo Verbose 0 "@ OK 1" Modo Verbose 1 "@ OK 2" Modo Verbose 2 "@ OK 3" Modo Verbose 3
#QPW 23 51 50 57 0D	Consultar estado de alimentação	"@ OK ON" som ligado "@ OK OFF" som desligado
#QVR 23 51 56 52 0D	Consultar a versão de firmware	"@ OK 0 xx" versão 0 xx
#QVL 23 51 56 4C 0D	Consultar o volume	"@ OK 0-32 " som a funcionar vol. xx "@ OK MUTE" sem som
#QPL 23 51 50 4C 0D	Consultar o estado de reprodução	"@ OK PLAY " A reproduzir agora
#QRP 23 51 52 50 0D	Consultar o modo repetir	"@ OK REPF "
#QSR 23 51 53 52 0D	Consultar a fonte de entrada	"@ OK AUX/ABT/CAO/OPT/ARC/HD1/HD2/STANDBY " Fonte a funcionar xx
#QEQ 23 51 45 51 0D	Consultar a equalização predefinida	"@ OK MUSI" "@ OK MOVI" "@ OK NEWS" "@ OK FLAT" Equalização a funcionar xx

### C. Comandos avançados

Este grupo de comandos dá instruções à barra de som para realizar uma operação avançada num único passo.

Código do comando	Parâmetros	Função	Exemplo de resposta
#SVM 23 53 56 4D X 0D	30 Fechar modo Verbose 31 Sem função 32 Atualizado quando os parâmetros relevantes mudam 33 Atualizar em simultâneo	Definir modo Verbose	"@ OK "
#SVL	0 – 32 MUTE	Definir o volume p.e.: #SVL 9 = VOL 9 23 53 56 4C 20 39 0D  p.e.: #SVL MUT = SEM SOM 23 53 56 4C 20 4D 55 54 0D	OK 32 OK MUTE
#SRP	ALL CH OFF RND	Repetir todos Repetir capítulo Repetição desligada Aleatório	OK RPTA OK RPT1 OK RPTF OK RPTR
#SSR 23 53 53 52 X 0D	41 55 58 Definir fonte AUX 42 54 Definir fonte BT 41 52 43 Definir fonte ARC 48 44 31 Definir fonte HDMI 1 48 44 32 Definir fonte HDMI 2	Definir fonte de entrada	"@ OK " SET fonte OK
#SEQ 23 53 45 51 X 0D	4D 4F 56 Definir EQ MOVIE 4D 55 53 Definir EQ MUSIC 4E 45 57 Definir EQ NEWS	Definir equalização	"@ OK " SET EQ OK
#RST		Comando de reinicialização – Limpa todas as memórias intermédias de comandos, não aguarda por comandos pendentes ou em execução.  Recomeçar.	
#QVL 23 53 56 76 X 0D	Ver a tabela abaixo para pormenores de definições de volume	Definir o volume	"@ OK " SET VOL OK



## Comandos de volume

VOL (X)	hex
0-9	30-39
10	31 30
11	31 31
12	31 32
13	31 33
14	31 34
15	31 35
16	31 36
17	31 37
18	31 38
19	31 39
20	32 30
21	32 31
22	32 32
23	32 33
24	32 34
25	32 35
26	32 36
27	32 37
28	32 38
29	32 39
30	32 30
31	32 31
32	33 32
MUT	4D 55 54

## **Mensagens de atualização de estado:**

As seguintes mensagens de atualização de estado são enviadas pela barra de estado automaticamente, quando o modo Verbose está definido para 2 ou 3.

### **UPW** - Atualização do estado de alimentação:

Enviada quando há uma alteração do estado ligado/desligado. Parâmetros possíveis: 2 caracteres

ON – A unidade está ligada

OFF – A unidade vai desligar-se

Exemplo: UPW ON

### **USR** - Atualização do estado funcional:

Enviada quando a função estiver ativada. Parâmetros possíveis: 3 caracteres

AUX – Entrada auxiliar

OPT – Entrada ótica

COA – Entrada coaxial

ABT – Entrada Bluetooth

ARC – Entrada HDMI ARC

Exemplo: USR ABT

### **UPL** - Atualização do estado de reprodução

Enviada quando há alterações no estado da reprodução. Parâmetros possíveis: 4 caracteres

PLAY – A reprodução está a iniciar

PAUS – A reprodução está em pausa

STOP – A reprodução está parada

Exemplo: UPL PLAY

### **URP** – Atualização do estado da repetição de reprodução

Enviada quando há alterações no estado da repetição de reprodução. Parâmetros possíveis: 4 caracteres

RPTA – Repetir todos

RPT1 – Repetir capítulo

RPTF – Repetir desligado

RPTR – Aleatório

Exemplo: UPR RPTA

### **UVL** - Atualização do nível de volume:

Enviada quando há uma alteração no estado do nível de volume ou sem som.

Parâmetros possíveis: 3 caracteres

MUT – Sem som está ativado

000 .. 100 – Nível de volume atual (também enviada quando a opção sem som for cancelada). Exemplo: UVL 068

**UEQ** – Atualização do estado da equalização predefinida

Enviada quando há alterações no estado da equalização predefinida  
Parâmetros possíveis: 4 caracteres

MUSI – Efeito EQUALIZAÇÃO DE MÚSICA

MOVI – Efeito EQUALIZAÇÃO DE FILMES

FLAT – Efeito EQUALIZAÇÃO FLAT

NEWS – Efeito EQUALIZAÇÃO DE NOTÍCIAS

GAME – Efeito EQUALIZAÇÃO DE JOGO

Exemplo: UEQ MUSI.