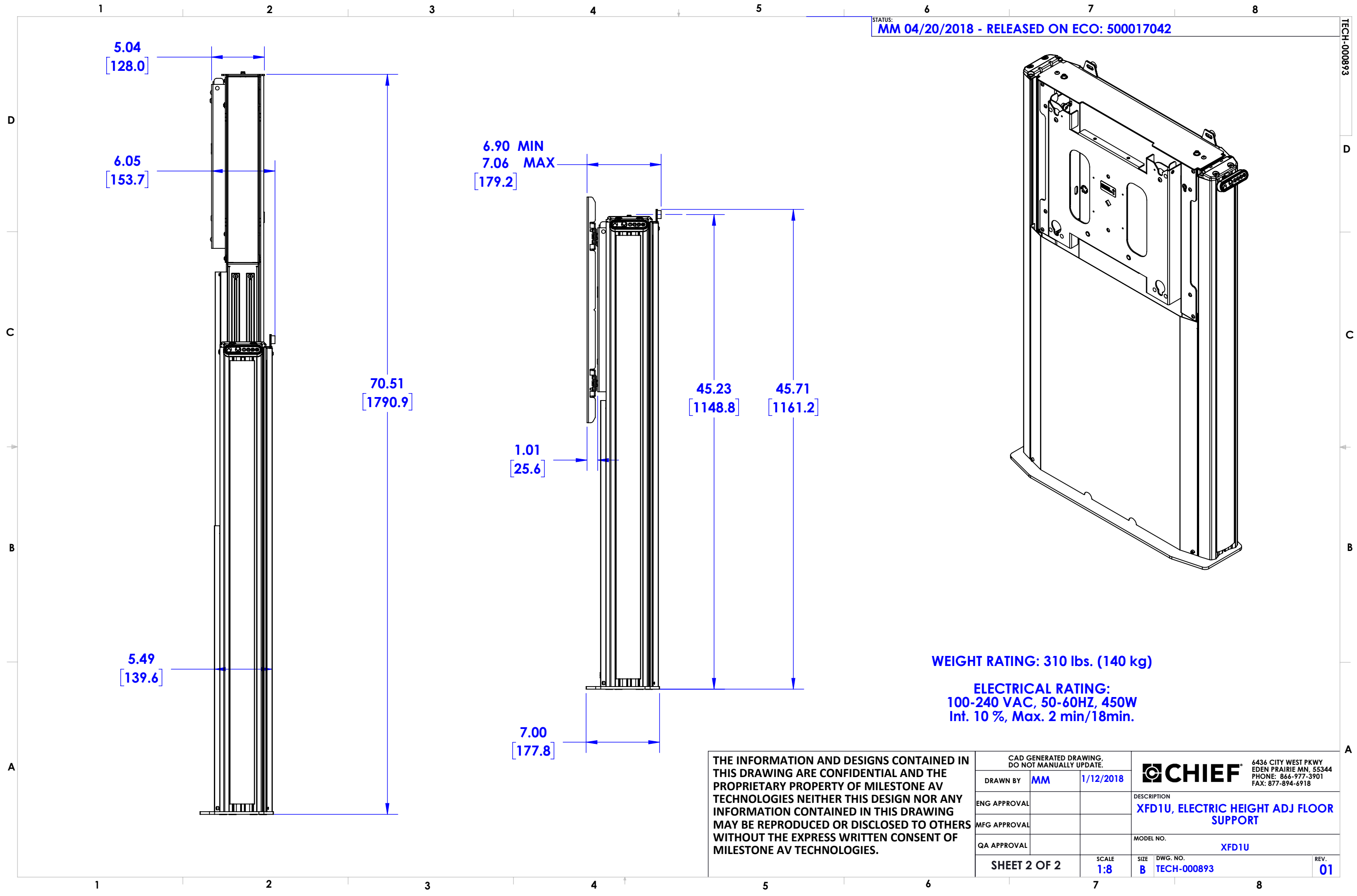


WEIGHT RATING: 310 lbs. (140 kg)

**ELECTRICAL RATING:
100-240 VAC, 50-60HZ, 450W
Int. 10 %, Max. 2 min/18min.**

THE INFORMATION AND DESIGNS CONTAINED IN THIS DRAWING ARE CONFIDENTIAL AND THE PROPRIETARY PROPERTY OF MILESTONE AV TECHNOLOGIES NEITHER THIS DESIGN NOR ANY INFORMATION CONTAINED IN THIS DRAWING MAY BE REPRODUCED OR DISCLOSED TO OTHERS WITHOUT THE EXPRESS WRITTEN CONSENT OF MILESTONE AV TECHNOLOGIES.

CAD GENERATED DRAWING, DO NOT MANUALLY UPDATE.			CHIEF 6436 CITY WEST PKWY EDEN PRAIRIE MN, 55344 PHONE: 866-977-3901 FAX: 877-894-6918	
DRAWN BY	MM	1/12/2018	DESCRIPTION XFD1U, ELECTRIC HEIGHT ADJ FLOOR SUPPORT	
ENG APPROVAL			MODEL NO. XFD1U	
MFG APPROVAL			SIZE	DWG. NO.
QA APPROVAL			B	TECH-000893
SHEET 1 OF 2		SCALE	REV.	
		1:8	01	



WEIGHT RATING: 310 lbs. (140 kg)

**ELECTRICAL RATING:
100-240 VAC, 50-60HZ, 450W
Int. 10 %, Max. 2 min/18min.**

THE INFORMATION AND DESIGNS CONTAINED IN THIS DRAWING ARE CONFIDENTIAL AND THE PROPRIETARY PROPERTY OF MILESTONE AV TECHNOLOGIES NEITHER THIS DESIGN NOR ANY INFORMATION CONTAINED IN THIS DRAWING MAY BE REPRODUCED OR DISCLOSED TO OTHERS WITHOUT THE EXPRESS WRITTEN CONSENT OF MILESTONE AV TECHNOLOGIES.

CAD GENERATED DRAWING, DO NOT MANUALLY UPDATE.				6436 CITY WEST PKWY EDEN PRAIRIE MN, 55344 PHONE: 866-977-3901 FAX: 877-894-6918	
DRAWN BY	MM	1/12/2018		DESCRIPTION XFD1U, ELECTRIC HEIGHT ADJ FLOOR SUPPORT	
ENG APPROVAL			MODEL NO. XFD1U		
MFG APPROVAL			REV. 01		
QA APPROVAL			SIZE DWG. NO. B TECH-000893		
SHEET 2 OF 2		SCALE 1:8			