

## Twisted Pair Patch Cord - Category 6<sub>A</sub> Class E<sub>A</sub> - S/FTP - PUR



✓ PUR (Polyurethane)

✓ Oil- and UV resistant

✓ Kink prot., strain relief, latch prot.

✓ Perfect for industrial environment

### Abstract

CAT 6<sub>A</sub> Class E<sub>A</sub>, S/FTP, Twisted Pair Patch Cable, Cu, PUR, AWG 26/7, color green (similar to RAL 6018)

### Features

- 2x RJ45 plugs (8P8C)
- Boots with kink protection, strain relief and latch protection
- Conductor: Cu (Copper)
- Shielding: S/FTP (complete braid shielding, pairs foil shielded)
- Structure: 4x 2 AWG 26/7, twisted pair
- Sheath: PUR (TPU)
- Color: Green (similar to RAL 6018)
- PoE+ ready

### Product Overview

The category 6<sub>A</sub>, S/FTP patch cords offer good reliability against oil with its PUR sheath. Therefore they are perfect for industrial applications. Further features of the PUR sheath are the UV resistance and the self-extinguishing fire behavior.

DIGITUS<sup>®</sup> Category 6<sub>A</sub> Class E<sub>A</sub> patch cords are manufactured and tested to the ISO/IEC 11801 and DIN EN 50173 Category 6<sub>A</sub> specifications. They will guarantee the installed cabling system is compliant with the ISO & EN channel specification requirements and will provide optimum performance levels of DIGITUS<sup>®</sup> Category 6<sub>A</sub> cabling. The performance is tested up to 500 MHz inclusive performance characteristics such as near end cross talk ("NEXT"). All patch cords are designed and produced to fulfill the highest requirements of various application areas in full volume.

Each cable is fitted with a molded boot which comes with kink protection and strain relief.

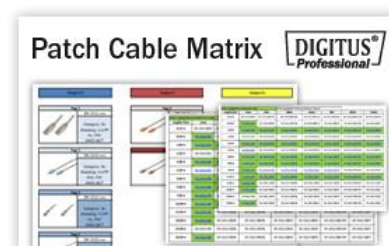
Furthermore the boot is equipped with a latch protection that prevents the latching lever against breaking.

### Patch Cable Matrix and Configuration

Patch cables can be wide-ranging. Therefore we prepared a complete overview of our range, which guides you to the cable you require.

One E-Mail or one call will be enough and we will send you the latest version as a PDF file.

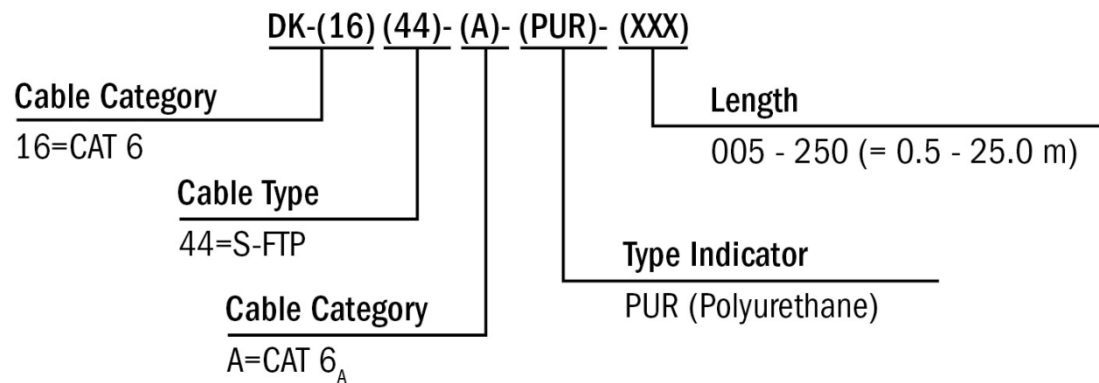
You can also check our Patch Cable Configuration tool on our website [www.digitus-professional.com](http://www.digitus-professional.com)



### Performance- and Specification Overview

|                        |  |
|------------------------|--|
| Conductor              | Stranded AWG 26/7 bare copper, 0.15 ± 0.005 mm                 |
| Insulations            | FO-PE (Foamed Polyethylene)                                    |
| Outer sheath           | TPU (Thermoplastic Polyurethane)                               |
| Overall diameter       | 6.2 mm ± 0.30 mm   |
| Bending radius         | 15x OD   |
| RJ45 connector         | 3 µ nominal gold flash over 60 µ nickel undercoat contact pins |
| Color code             | Orange x White, Green x White, Blue x White, Brown x White     |
| Wiring standard        | EIA/TIA 568B   |
| Pin assignment         | 1:1  |
| Durability             | 750 insertion cycles   |
| Contact resistance     | 30 mΩ maximum  |
| Resistance unbalance   | 3% maximum   |
| Dielectric strength    | 2500 VDC for 3 seconds   |
| Uninsulated resistance | 150 MΩ/km minimum  |
| Operating temperature  | -30 °C up to +70 °C  |
| NVP                    | 63%  |
| Typical applications   | IEEE 802.3: 10BASE-T; 100BASE-T; 1000BASE-T; 10GBASE-T         |
| Norms                  | ISO/IEC 11801-1; EN-50173; ANSI/TIA 568-C; EN 60603-7-51       |
| Color                  | Green (similar to RAL 6018)                                    |
| Marking                | Brand name, cable length and cable information                 |

### Product Number Information

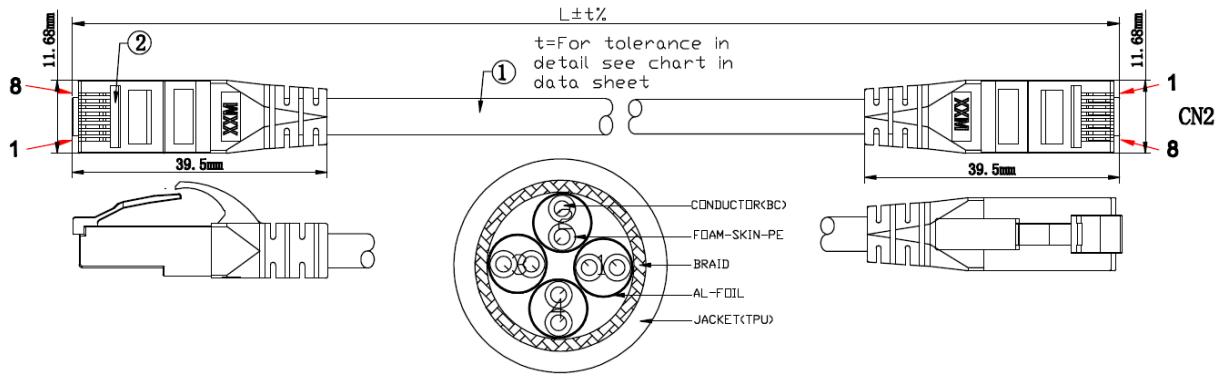


### Length Tolerances

| Length (m) | Tolerance (mm) |
|------------|----------------|
| 0.50       | +/- 15         |
| 1.00       | +/- 30         |
| 2.00       | +/- 30         |
| 3.00       | +/- 50         |
| 5.00       | +/- 100        |
| 7.00       | +/- 200        |
| 10.00      | +/- 200        |
| 15.00      | +/- 300        |
| 20.00      | +/- 300        |
| 25.00      | +/- 300        |

\*The cable length is measured from plug A to plug B

## Technical Drawing



### MATERIAL LIST:

|   |       |   |
|---|-------|---|
| ② | CONN. | 8P8C PLUG Contact Gold FU <sup>®</sup> transparent                                      |
| ① | CABLE | S/FTP(26AWG(BC7/0.15±0.005) *1PR+A) *4+B(AL-MG)+TPU ØØ6.2±0.3mm<br>COLOR:RAL6018(GREEN) |

