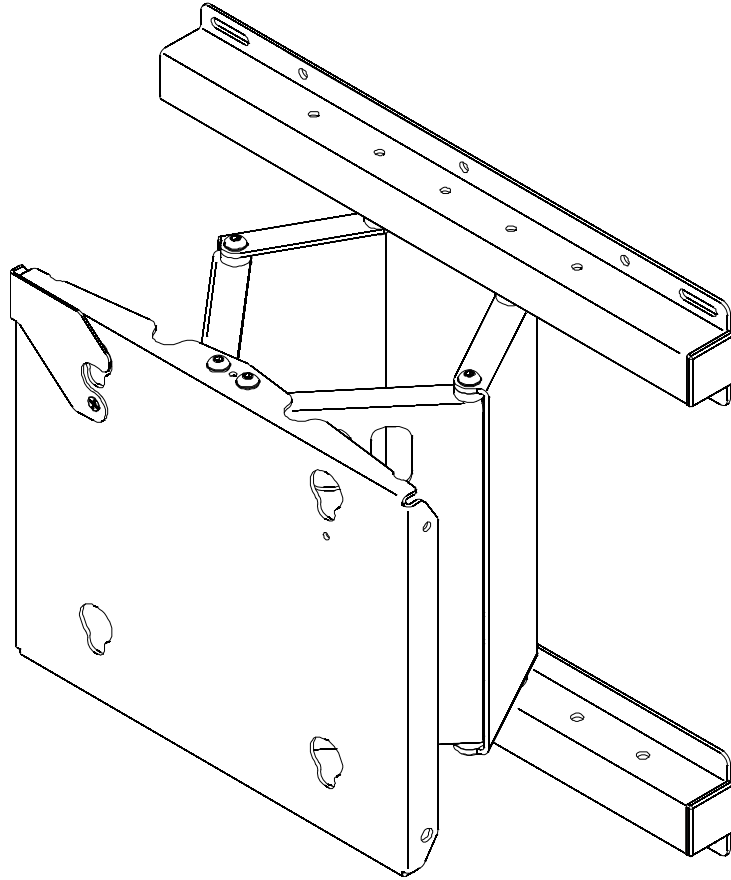

INSTALLATION INSTRUCTIONS



Medium Flat Panel Wall Mount

DISCLAIMER

Legrand | AV and its affiliated corporations and subsidiaries (collectively "Legrand | AV"), intend to make this manual accurate and complete. However, Legrand | AV makes no claim that the information contained herein covers all details, conditions or variations, nor does it provide for every possible contingency in connection with the installation or use of this product. The information contained in this document is subject to change without notice or obligation of any kind. Legrand | AV makes no representation of warranty, expressed or implied, regarding the information contained herein. Legrand | AV assumes no responsibility for accuracy, completeness or sufficiency of the information contained in this document.

Chief® is a registered trademark of Legrand AV Inc.

DEFINITIONS

MOUNTING SYSTEM: A MOUNTING SYSTEM is the primary Chief product to which an accessory and/or component is attached.

ACCESSORY: AN ACCESSORY is the secondary Chief product which is attached to a primary Chief product, and may have a component attached or setting on it.

COMPONENT: A COMPONENT is an audiovisual item designed to be attached or resting on an accessory or mounting system such as a video camera, CPU, screen, display, projector, etc.



WARNING: A WARNING alerts you to the possibility of serious injury or death if you do not follow the instructions.



CAUTION: A CAUTION alerts you to the possibility of damage or destruction of equipment if you do not follow the corresponding instructions.



IMPORTANT SAFETY INSTRUCTIONS!



WARNING: Failure to read, thoroughly understand, and follow all instructions can result in serious personal injury, damage to equipment, or voiding of factory warranty! It is the installer's responsibility to make sure all components are properly assembled and installed using the instructions provided.



WARNING: Failure to provide adequate structural strength for this mounting system can result in serious personal injury or damage to equipment! It is the installer's responsibility to make sure the structure to which this mounting system is attached can support five times the combined weight of all equipment. Reinforce the structure as required before installing the mounting system.



WARNING: Exceeding the weight capacity can result in serious personal injury or damage to equipment! It is the installer's responsibility to make sure the combined weight of all components attached to the MPW does not exceed 125 lbs (56.7 kg).



WARNING: Use this mounting system only for its intended use as described in these instructions. Do not use attachments not recommended by the manufacturer.



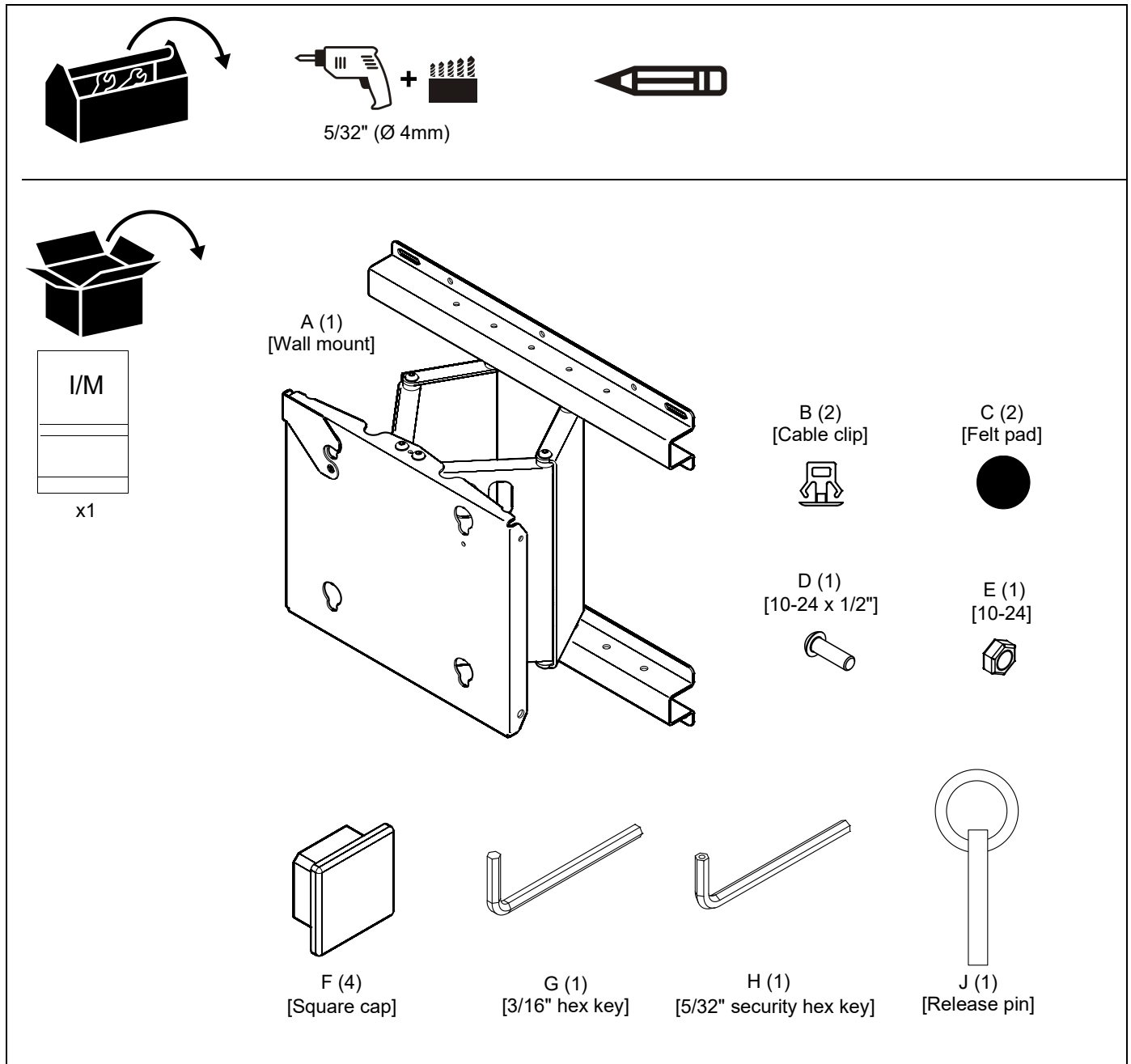
WARNING: Never operate this mounting system if it is damaged. Return the mounting system to a service center for examination and repair.



WARNING: Do not use this mounting system outdoors.

--SAVE THESE INSTRUCTIONS--

TOOLS REQUIRED FOR INSTALLATION AND PARTS



The diagram shows the tools and parts required for installation. At the top, there is a box with a curved arrow, a hot glue gun with a glue stick and the text "5/32" (Ø 4mm)", and a pencil. Below this, an open box is shown with a curved arrow pointing to a rectangular component labeled "I/M" with "x1" below it. The main assembly is a metal frame with a wall mount. To the right of the frame are two cable clips labeled "B (2) [Cable clip]", two felt pads labeled "C (2) [Felt pad]", one screw labeled "D (1) [10-24 x 1/2"]", and one nut labeled "E (1) [10-24]". Below the frame are four square caps labeled "F (4) [Square cap]", one 3/16" hex key labeled "G (1) [3/16" hex key]", one 5/32" security hex key labeled "H (1) [5/32" security hex key]", and one release pin labeled "J (1) [Release pin]".

5/32" (Ø 4mm)

A (1)
[Wall mount]

I/M
x1

B (2)
[Cable clip]

C (2)
[Felt pad]

D (1)
[10-24 x 1/2"]

E (1)
[10-24]

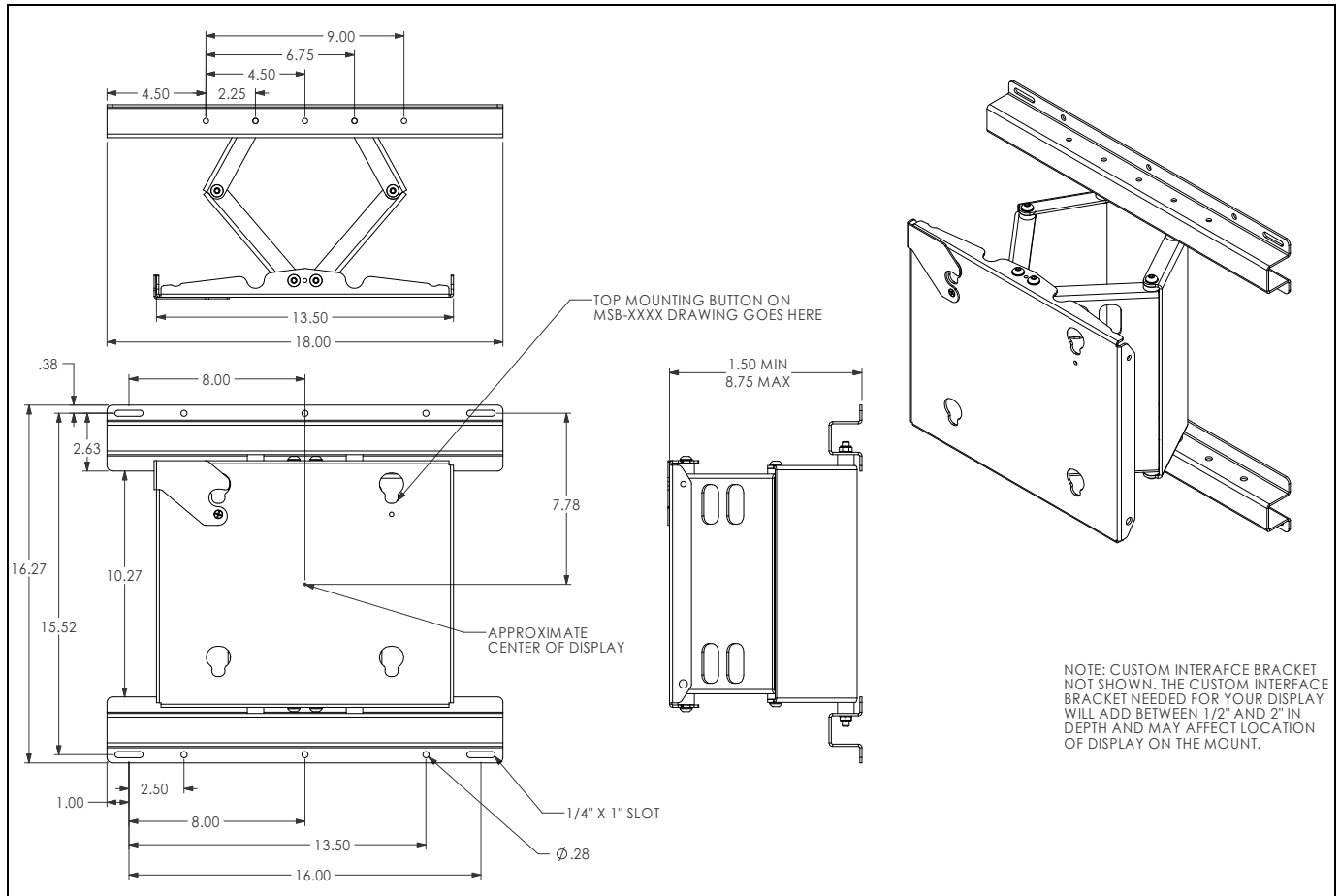
F (4)
[Square cap]

G (1)
[3/16" hex key]

H (1)
[5/32" security hex key]

J (1)
[Release pin]

DIMENSIONS



LEGEND

	Tighten Fastener		Adjust
	Apretar elemento de fijación		Ajustar
	Befestigungsteil festziehen		Einstellen
	Apertar fixador		Ajustar
	Serrare il fissaggio		Regolare
	Bevestiging vastdraaien		Afstellen
	Serrez les fixations		Ajuster
Сожмите Застежку	регулировать		
	Loosen Fastener		Hex-Head Wrench
	Aflojar elemento de fijación		Llave de cabeza hexagonal
	Befestigungsteil lösen		Sechskantschlüssel
	Desapertar fixador		Chave de cabeça sextavada
	Allentare il fissaggio		Chiave esagonale
	Bevestiging losdraaien		Zeskantsleutel
	Desserrez les fixations		Clé à tête hexagonale
Ослабьте Застежку	Ключ с шестигранной головкой		



WARNING: IMPROPER INSTALLATION CAN LEAD TO MOUNT FALLING CAUSING SERIOUS PERSONAL INJURY OR DAMAGE TO EQUIPMENT! It is the installer's responsibility to make sure the structure to which the mount is being installed is capable of supporting five times the combined weight of the mount and all attachments.

MOUNT ASSEMBLY

To attach the wall plate end caps:

1. Slide one end cap (F) into each end of upper and lower wall plates ON MOUNT (A). (See Figure 1)

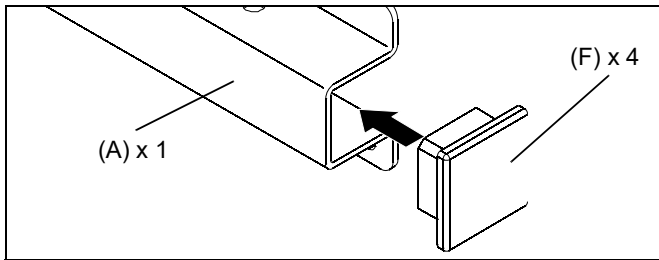


Figure 1

To attach the cable management clips:

1. Pull mount face plate outward until access to rear of face plate can be achieved.
2. Install two cable management clips (B) into each side of mount faceplate. (See Figure 2)

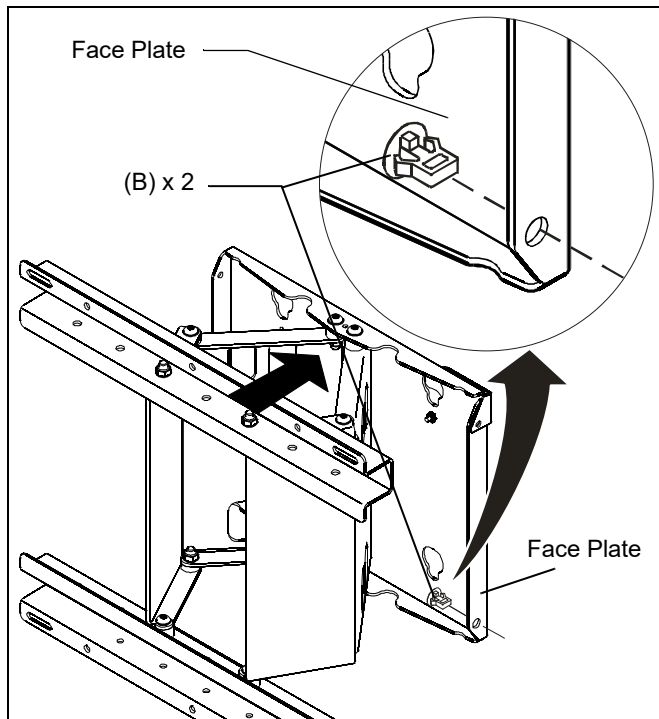


Figure 2

MOUNT INSTALLATION



WARNING: The installer is responsible for verifying that the structure to which the mount is anchored will safely support five times the combined load of the mount and all attached components.

To install mount:

1. Identify appropriate mounting location.
2. Locate studs.

NOTE: The MPW is designed to be mounted on 16" on center wood studs.

3. Place mount assembly (A) against wall, level mount, and mark four pilot hole locations (See Figure 3).
4. Drill four 5/32" pilot holes at marked locations. (See Figure 3).

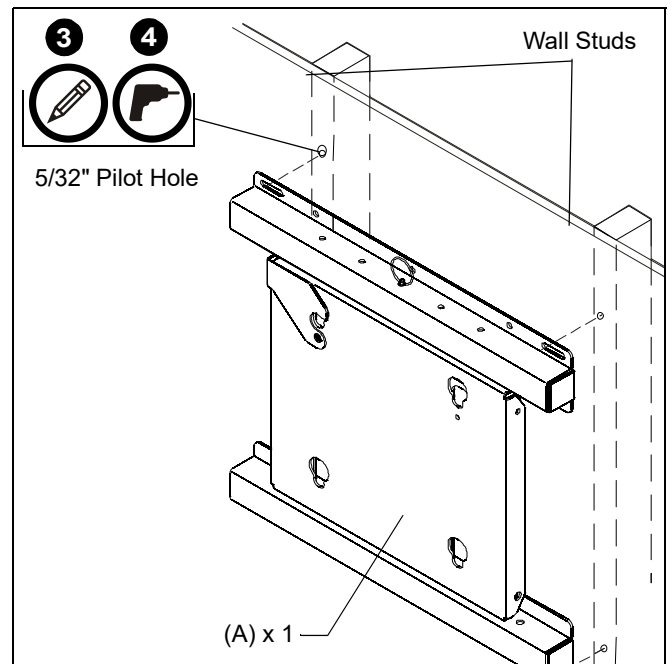


Figure 3

5. Place mount assembly (A) against wall and align mounting holes in mount assembly with pilot holes (See Figure 4).
6. Secure mount (A) to wall studs using four 1/4" x 2" lag screws, and four flat washers.

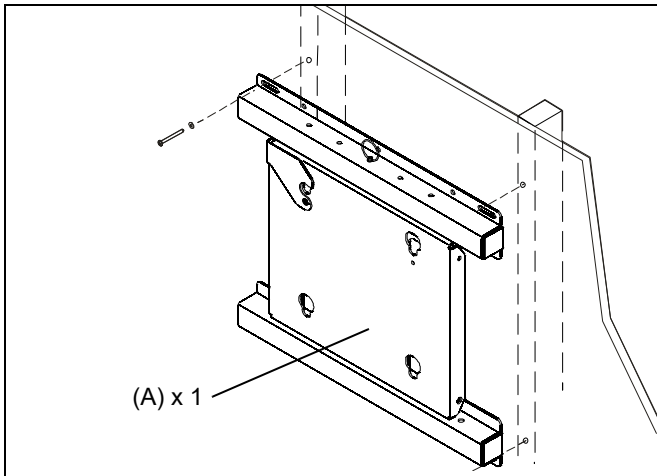


Figure 4

INSTALL DISPLAY

1. Install interface bracket following the installation instructions included with the bracket.



WARNING: IMPROPER INSTALLATION CAN LEAD TO MOUNT FALLING CAUSING SEVERE PERSONAL INJURY OR DAMAGE TO EQUIPMENT. Displays can weigh in excess of 40 lbs (18.1kg). ALWAYS use two people and proper lifting techniques when installing display.

2. Lower latching flag. (See Figure 6)
3. Move mount faceplate to extended position by grasping faceplate and pulling outward away from wall. (See Figure 5)



CAUTION: Keep hands and fingers away from all pinch points when moving the mount from retracted to extended position.

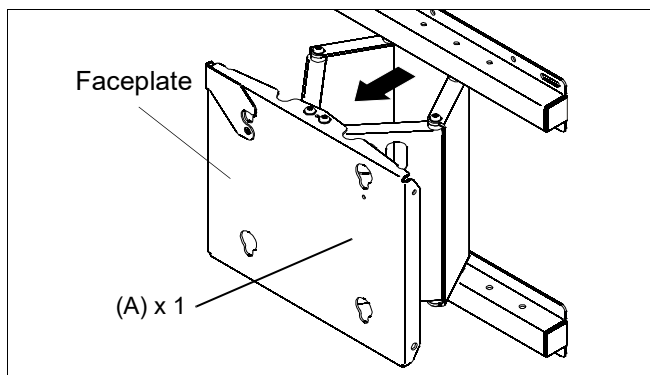


Figure 5

4. Align mounting buttons on display with teardrop mounting holes in mount faceplate (See Figure 6).
5. Move display forward until all four mounting buttons are through teardrop mounting holes in faceplate, and recessed area of mounting buttons is aligned with the lower area of teardrop mounting holes in faceplate.
6. Lower display until the recessed area of all four mounting buttons is seated in the lower area of teardrop mounting holes in faceplate. (See Figure 6)
7. Move latching flag to the UP position to secure display to

mount assembly.

NOTE: If desired, install optional security screw and locknut provided. The display can also be locked in the retracted position by installing the optional locking pin provided. (See Figure 7)

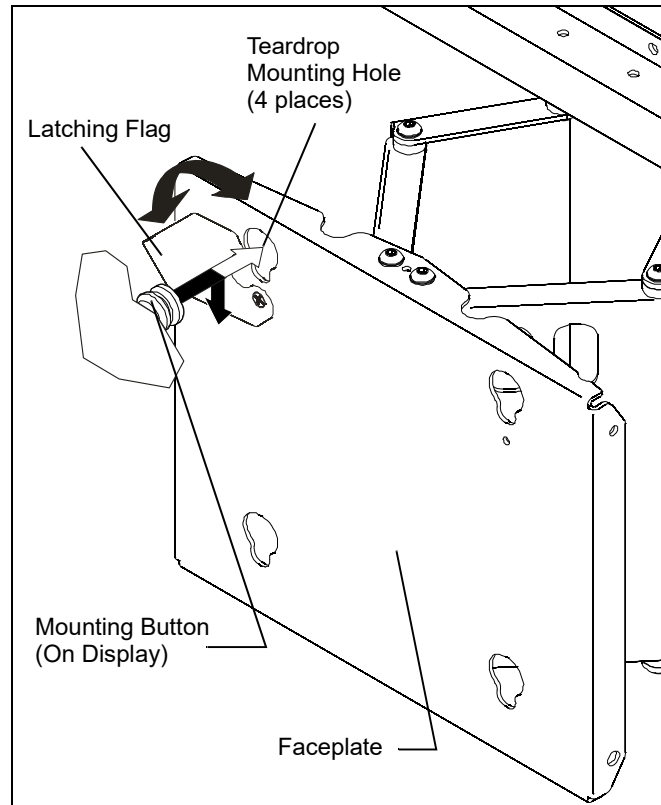


Figure 6

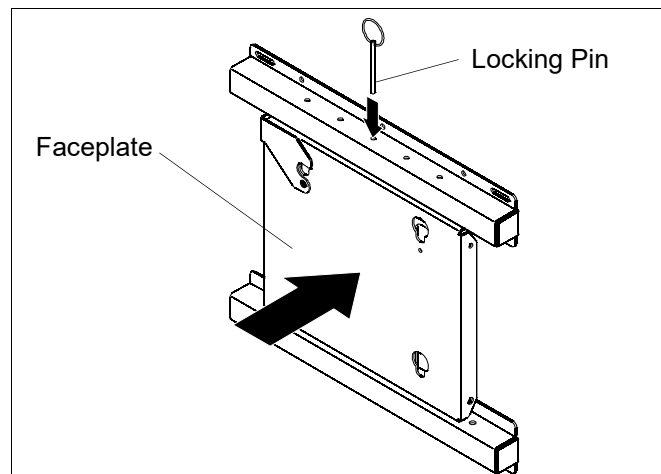


Figure 7

FELT PAD INSTALLATION

Felt pads (C) are provided to protect the display from contact with the mount.

To install protective felt pads:

1. Move display to fully extended position.



WARNING: Keep hands and fingers away from all pinch points when moving the mounted display from the retracted to the extended position.

2. Slowly rotate display to "fully right" position and identify the area of contact between the display and cabinet.
3. Remove adhesive back from felt pad (C) and place pad onto display at identified point of contact.
4. Slowly rotate display to "fully left" position and identify the area of contact between the display and cabinet.
5. Remove adhesive back from felt pad (C) and place pad onto display at identified point of contact.

ADJUSTMENTS

The mount is shipped with pre-set tension for swing arm movement. After extended use mount tension may need to be adjusted.

There are a total of 12 tension adjustment points on the mount (See Figure 8). Six on mount top, and six on mount bottom. Points 1 through 6 control mount extension and retraction tension. Points 1 and 6 control mount right left swing tension, and points 3 and 4 control display left right rotation tension.

NOTE: It is important that corresponding points are adjusted equally. **Example:** 1 and 6, 2 and 5, 3 and 4, and their corresponding adjustment points on mount bottom (See Figure 8).

To adjust mount tension:

1. Determine which aspect of mount movement needs to be adjusted and locate appropriate adjustment screws.
2. Using the hex wrench provided, tighten or loosen adjustment screws until desired tension is achieved (See Figure 8).

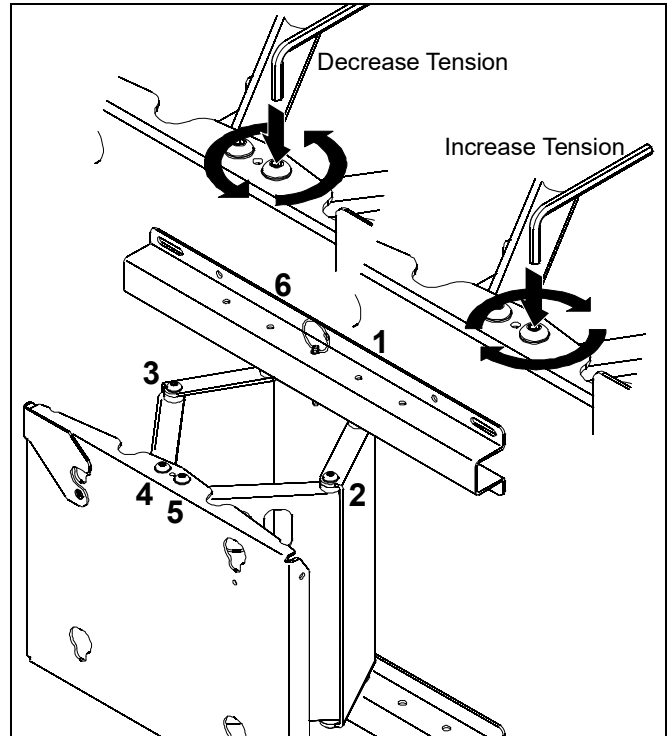


Figure 8

CABLE MANAGEMENT

Cable management clips, for use with "zip-ties" or similar devices, are provided for cable routing.

To use cable management clips:

1. Zip tie cable to cable clip (B). (See Figure 9)
2. Route cables down and under mount to display.

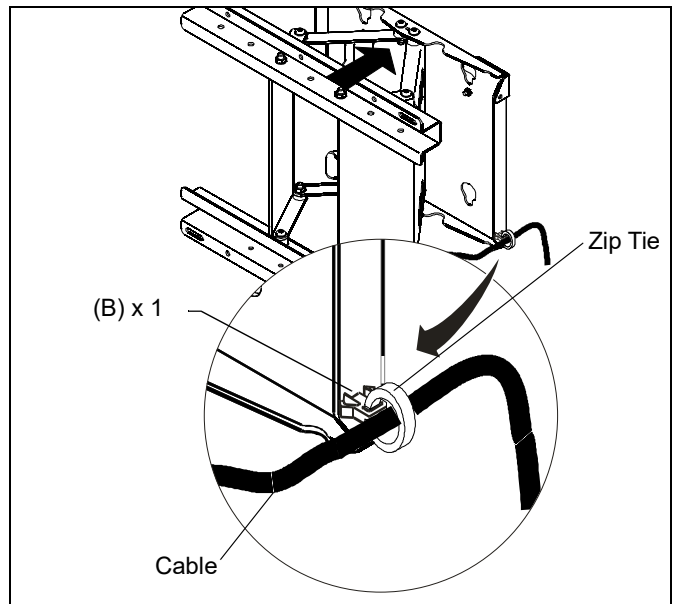


Figure 9



A brand of  **legrand**[®]

8800-003311 Rev02
©2026 Legrand | AV
www.legrandav.com
04/2026

USA/International	A 6436 City West Parkway, Eden Prairie, MN 55344 P 800.582.6480 / 952.225.6000 F 877.894.6918 / 952.894.6918
Europe	A Franklinstraat 14, 6003 DK Weert, Netherlands P +31 (0) 495 580 852 F +31 (0) 495 580 845
Asia Pacific	A Office No. 918 on 9/F, Shatin Galleria 18-24 Shan Mei Street Fotan, Shatin, Hong Kong P 852 2145 4099 F 852 2145 4477

