



SUITABLE FOR
SPEAKERS UP
TO 25KG

BT77

SIDE-CLAMPING LOUDSPEAKER WALL MOUNT WITH TILT AND SWIVEL



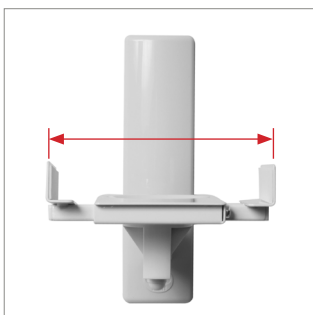
Suitable for most speakers including curved front types, the BT77 wall mount features a padded, adjustable side clamping design which grips medium to large sized speakers without marking them. The mounts are easy to install with tilt and swivel adjustments that allow for optimal speaker positioning once mounted. Supplied in pairs, the BT77 also includes cover plates for a neat and tidy finish.

SPECIFICATION

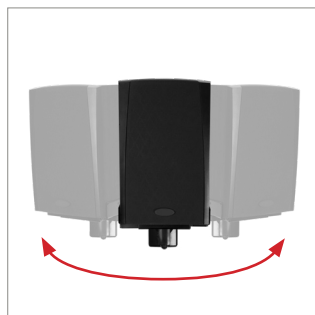
Max load	25kg
Adjustable clamp size	135mm - 280mm
Tilt	+/-10°
Swivel	360°
Colour	Black or White

FEATURES

- Adjustable clamp to accommodate larger speaker sizes
- Side-clamping design is padded and does not mark the speaker
- Tilt and swivel adjustment allows perfect positioning
- Can also be mounted directly to System X vertical columns or onto B-Tech collars for pole mounting
- Supplied with cover plate and screw cap for a neat and tidy finish
- Quick and easy installation
- All mounting hardware included
- Supplied in pairs



Adjustable clamp to accommodate larger speaker sizes



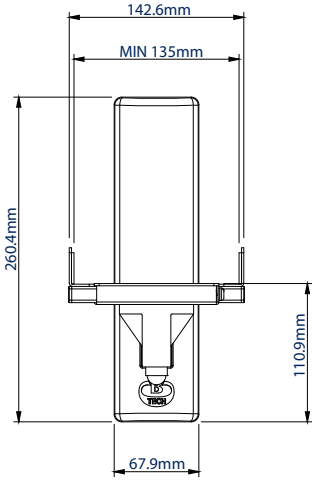
Tilt and swivel adjustment allows perfect positioning



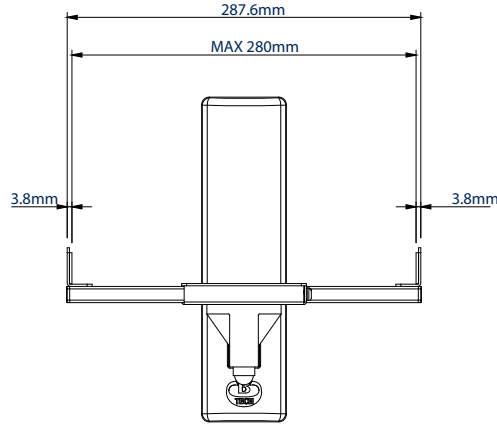
Can also be mounted directly to System X vertical columns or onto B-Tech collars for pole mounting



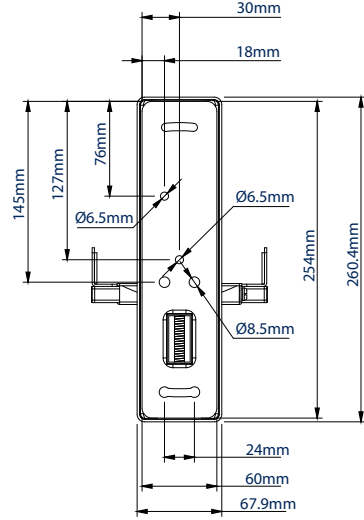
Supplied with cover plate and screw cap for a neat and tidy finish



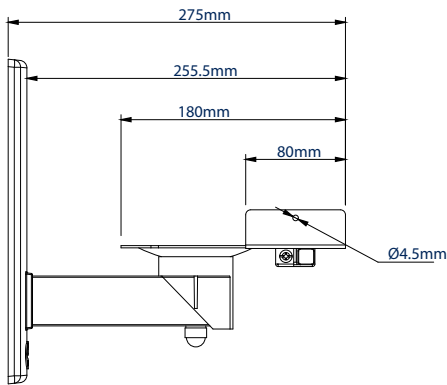
FRONT VIEW - MIN WIDTH



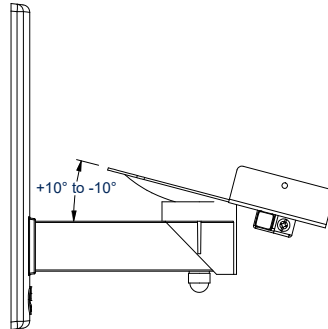
FRONT VIEW - MAX WIDTH



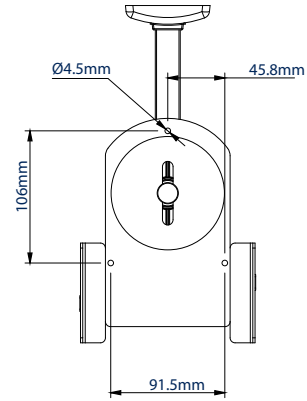
REAR VIEW



SIDE VIEW



SIDE VIEW WITH TILT



TOP VIEW

PACKING INFORMATION

COLOUR:	ORDER REF:	EAN CODE:	MASTER CARTON QTY:	INNER CARTON QTY:	MASTER CARTON WEIGHT:	MASTER CARTON CUBE:
Black	BT77/B	5019318047701	4	0	12.1kg	0.80cbm
White	BT77/W	5019318049033	4	0	12.1kg	0.80cbm

ACCESSORIES AND RELATED PRODUCTS



Vertical Support Columns for freestanding, mobile or bolt-down screen mounting



Centre Speaker Wall Mount with Adjustable arms designed to mount loudspeakers up to 15kg



Speaker Wall Mounts designed to mount home cinema speakers up to 5kg



Universal Soundbar Mount designed to mount soundbars up to 10kg to the back of the screen

© 2019 B-Tech Professional Design & Manufacturing Ltd. All rights reserved.
 The information in this specification does not constitute an offer of insurance or any other financial product. It is provided for information only and should not be relied upon as a basis for any decision. B-Tech Professional Design & Manufacturing Ltd. is not liable for any loss or damage caused by the use of this information. For more information, please visit www.btechavmounts.com