

Professional Solutions - Unrivaled Value

Complete projector mount kit with suspended ceiling adapter. Three adjustable drop lengths (6" to 11", 12" to 18", 18" to 24"). Ideal for projectors weighing up to 60 lb. Built-in roll, pitch and yaw adjustments make alignment fast and easy. Quick release mechanism allows projector to be easily removed for service. Compatible with all 1.5 NPT threaded pipe.

- **Universal Sizes**
Universal ceiling mount for projectors weighing up to 60lb.
- **Pre-Assembled**
Completely pre-assembled mounting interface for quick installation.
- **Easy Access**
Quick release mechanism allows for easy service of projector.
- **Fully Adjustable**
Roll, pitch and yaw adjustments with standard screwdriver.
- **Standard Interface**
Mounts above false ceiling tile on standard 2'x2' or 2'x4' grid system.
- **Three Available Lengths**
Available in 6"-11", 12"-18" and 18"-24" adjustable lengths.
- **Included Hardware**
Pre-sorted hardware pack for easy component selection and installation (hardware for installation to wood studs or concrete surfaces included).

60 LB / 27 kg

Functional Specifications

| | | | |
|--|---|--|-----------------------------|
| Roll: $\pm 8^\circ$ Pitch: $\pm 20^\circ$ Yaw: 360° | Mounting Surfaces: <i>Structural wood beams (with included hardware) & concrete & other structural surfaces (requires additional hardware or accessories)</i> | Max Mounting Pattern: 18.1" (460mm) width 18.1" (460mm) height | Load Capacity: 60 LB / 27kg |
|--|---|--|-----------------------------|

Adjustable Drop Length
Adjust to the perfect length using 1" incremental adjustments.

Adjustable
Perfectly align your projector using a screwdriver to adjust roll($\pm 8^\circ$), pitch($\pm 20^\circ$) and yaw(360°).

Mounting Surface
Connect using Standard 1.5" NPT threaded connection.

Universal Design
Adjustable arm length to fit most projectors weighing 60lbs or less.

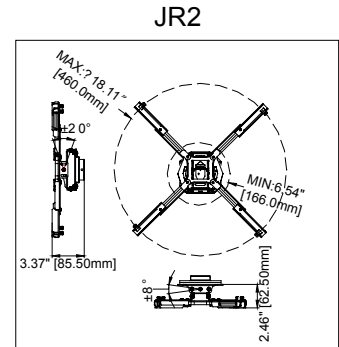
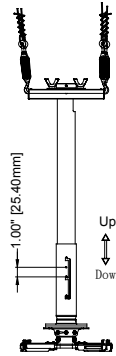
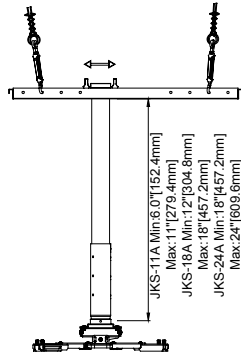
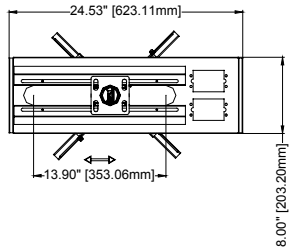
Fully Adjustable
Roll($\pm 8^\circ$), pitch($\pm 20^\circ$) and yaw(360°) adjustments with standard screwdriver.



Suspended Ceiling Projector Kit

Fits most projectors weighing 60lb or less

JKS2-11A
JKS2-18A
JKS2-24A



Product Specifications

| PRODUCT WEIGHT | LOAD CAPACITY | COLORS | FINISH |
|----------------------------|---------------|--------|----------------------------------|
| 12.8lb 14.1lb 15.2lb | 60 lb (27 kg) | Black | Scratch resistant powder coating |

Package Specifications

| PACKAGE SIZE (WxHxD) | SHIP WEIGHT | UPC CODE |
|----------------------|--------------------------|------------------------|
| 24"x16"x8" | 17.8lb 18.8lb 24lb | JKS2-11A 0815885015458 |
| | | JKS2-18A 0815885015465 |
| | | JKS2-24A 0815885015472 |

Accessories

Suspended Ceiling Adapter



CAS1W

For mounting above a false ceiling tile. 13" of lateral shift for fast project adjustment. Compatible with all 1.5" NTP threaded pipe.



CAS2W

Replaces a standard 2' x 2' grid. 13" of lateral shift for fast project adjustment. Compatible with all 1.5" NTP threaded pipe.

Structural Ceiling Adapters



CA1

Wood Single Joist / Concrete



CA2

Wood 16" Double Joist / Concrete



CA4

General Purpose 4x4"



CA8

General Purpose 8x8"

Truss Ceiling Adapter



CAT3

Mounts to round, square and rectangular trusses from .75" up to 3" in diameter and is compatible with all 1.5" NTP threaded pipe.

Vaulted Ceiling Adapters



CAV1

For installation on cathedral or vaulted ceilings. Adjusts up to 94° and is compatible with all 1.5" NTP threaded pipe.

Unistrut Ceiling Adapters



CAU1

Bracket and hardware for mounting to single 1-5/8"x1-5/8" Unistrut



CAU4

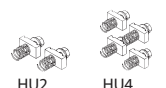
Bracket and hardware (4x4) for mounting to standard 1-5/8"x1-5/8" dual channels spaced on 2.25" centers.



CAU8

Bracket and hardware (8x8) for mounting to standard 1-5/8"x1-5/8" dual channels spaced on 6" centers.

Unistrut Bolts



HU2 (2 Bolts) HU4 (4 Bolts)

3/8" bolts and spring nuts for mounting ceiling brackets to standard 1-5/8"x1-5/8" Unistrut HU2 / HU2

Fixed Columns

Static ceiling columns for use with all ceiling adapters using standard 1.5" NTP interfaces. Connectors (sold separately) give ability to extend drop lengths by connecting two or more columns. Cable management with a completely open interior.



| BLACK | SILVER | WHITE | DROP |
|-------|--------|-------|------|
| E06 | E06S | E06W | 6" |
| E1 | E1S | E1W | 12" |
| E018 | E018S | E018W | 18" |
| E2 | E2S | E2W | 2' |
| E3 | E3S | E3W | 3' |
| E4 | E4S | E4W | 4' |
| E5 | E5S | E5W | 5' |
| E6 | E6S | E6W | 6' |
| E7 | E7S | E7W | 7' |
| E8 | E8S | E8W | 8' |
| E9 | E9S | E9W | 9' |
| E10 | E10S | E10W | 10' |

Adjustable Columns

Adjustable extension columns designed for use with all ceiling adapters using standard 1.5" NTP interfaces. Column allows for flexibility with quick 1" incremental drop length adjustments and cable management with a completely open interior. Connectors (sold separately) give ability to extend drop lengths by connecting two or more columns.



| BLACK | SILVER | WHITE | DROP |
|---------|----------|----------|---------|
| EA0611 | EA0611S | EA0611W | 6"-11" |
| EA01218 | EA01218S | EA01218W | 12"-18" |
| EA01824 | EA01824S | EA01824W | 18"-24" |
| EA23 | EA23S | EA23W | 2'-3' |
| EA24 | EA24S | EA24W | 2'-4' |
| EA35 | EA35S | EA35W | 3'-5' |
| EA46 | EA46S | EA46W | 4'-6' |
| EA57 | EA57S | EA57W | 5'-7' |
| EA68 | EA68S | EA68W | 6'-8' |
| EA79 | EA79S | EA79W | 7'-9' |
| EA810 | EA810S | EA810W | 8'-10' |
| EA911 | EA911S | EA911W | 9'-11' |
| EA1012 | EA1012S | EA1012W | 10'-12' |

Visit crimsonav.com to see the full line of vidamounts LCD/plasma, projector and TV/monitor mounts. © 2010 Crimson AV LLC. All rights reserved.