

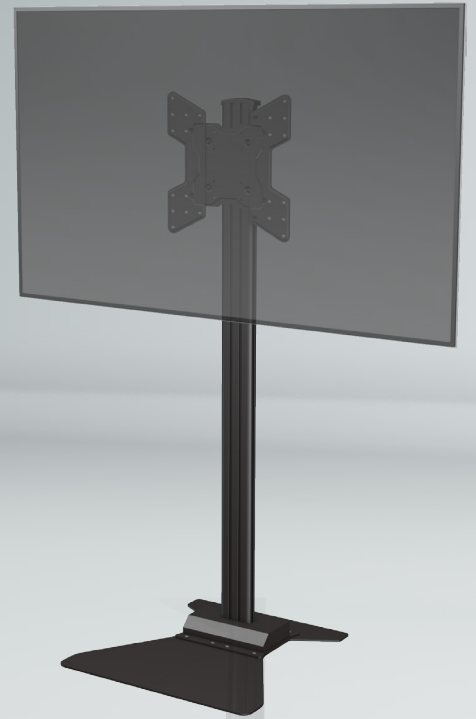
# S55V Adjustable Height Floor Stand

## Portrait or Landscape Orientation

for Displays 32" - 55"

### Heavy Duty & Ideal for Plasma, LCD, or LED Monitors

- Fits monitors with VESA patterns up to 400x400mm in both Portrait and Landscape orientations
- Continuous vertical position adjustment to 67.34"
- Ultra slim heavy duty base
- Lockable incremental tilt adjustment
- Integrated cable management for a clean look
- Vertically adjustable tempered glass or metal shelf (sold separately) can be installed or removed without removing display



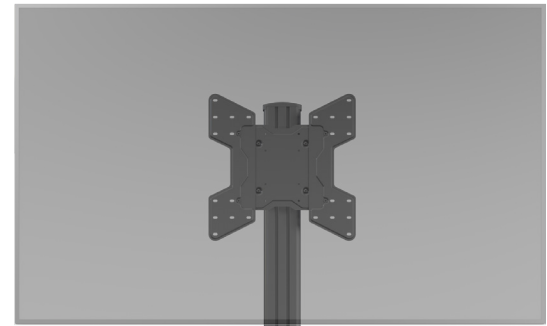
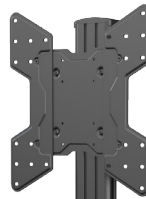
SKU	TV Size	VESA	Max Height	Max Load
S55V	32-55"	400x400mm	67.34"	150 lb



#### CONTINUOUS TILT

##### +15/-5 Degrees Tilt

The S55V mounting plate has continuous tilt of up +15°/-5° for ideal screen placement.



#### LANDSCAPE OR PORTRAIT

##### Compatible in Both Orientations

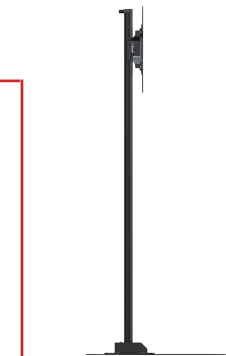
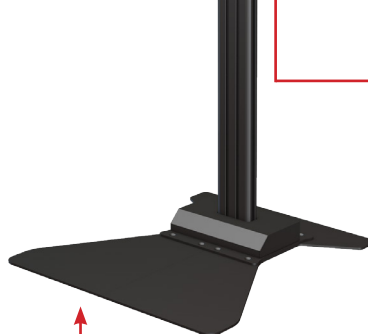
VESA compatible wall plate will support displays in either landscape or portrait orientations



#### ULTRA SLIM BASE

##### Heavy Duty but Ultra Slim

Designed for high-traffic areas, the heavy duty base is ultra-slim, minimizing the risk of tripping while also maximizing stability and safety.



#### HEIGHT ADJUSTABLE

##### Up to 67.34" Max

Fully adjustable viewing height up to just over 67" to achieve the ideal viewing angle

# S55V

## Adjustable Height Floor Stand

for displays 32" - 55"

1-866-MOUNT-TV  
www.crimsonav.com



Attribute	Value
TV size range	32" - 55"
Weight capacity	150 lb (68.03kg)
Max mounting pattern	400x400mm
Vertical adjustment	Continuous vertical adjustment to 67.34"
Orientation	Landscape or portrait
Tilt	+15°/-5° with incremental tilt lock
Optional accessories	Optional accessory glass (MSG) or metal (MSM) shelves; vertically adjustable and can be easily installed or removed without removing TV monitor
Construction	Aluminum/high-grade cold rolled steel
Product finish	Scratch resistant epoxy powder coat
Color	Black
Model number	S55V
Warranty	10 years

Heavy duty construction makes this stand ideal for Plasma, LCD, or LED monitors up to 150lb total. Continuous tilt of +15°/-5° allows for perfect screen placement. Heavy duty, ultra slim base provides stability as well as safety in high foot traffic areas. Fully adjustable tilt and height. Vertically adjustable tempered glass or metal shelf (sold separately) can be easily installed or removed without removing TV monitor.

