



Professional Solutions - Unrivalled Value

Adjustable height ceiling mount for 10" to 32" flat panel screens, allows a different mounting solution when wall mounting is not an option. Continuous tilt of 25° forward, 360° rotation and post-installation leveling with telescoping adjustable drop lengths to provide perfect screen positioning. Makes a secure installation quick and easy, simply hang the screen and attach bottom screws to lock in place.

10"-32" / 25.4cm-81.3cm

40 LB / 18 KG

Functional Specifications

Tilt: +25°/-0°
Rotation: 360°

Mounting Surfaces: Structural wood beams (with included hardware), concrete & other structural surfaces (additional hardware or accessories required).

MaxMountingPattern:
100mm (3.9") width
100mm (3.9") height

Drop Length: 2' - 4'
Load Capacity: 40 LB / 18 KG
Warranty: Limited 10 Years

- **Screen Size Variety**
Fits most 10" to 32" flat panel screens weighing 40lb or less.
- **VESA Compatible**
Fits VESA hole patterns with 75x75mm and 100x100mm sizes.
- **Height Adjustment**
Telescoping adjustment from 2' to 4'.
- **Cable Management**
Easily route cables through openings at the top and bottom of the extension column.
- **Multi-Angle Positioning**
Up to 25° of continuous tilt and 360° rotation.
- **Decorative Cover**
Conceals ceiling adapter for a clean look.
- **Included Hardware**
Pre-sorted hardware pack for easy component selection and installation (hardware for installation to wood studs or concrete surfaces included).

Decorative Cover →
Conceals ceiling adapter for a clean look.

← **Adjustable Drop Length**
Telescoping adjustment without use of tools.

Tilt
0° to +25° tilt for optimal viewing angles.

VESA Compatible →
Fits VESA hole patterns with 75x75mm and 100x100mm sizes.

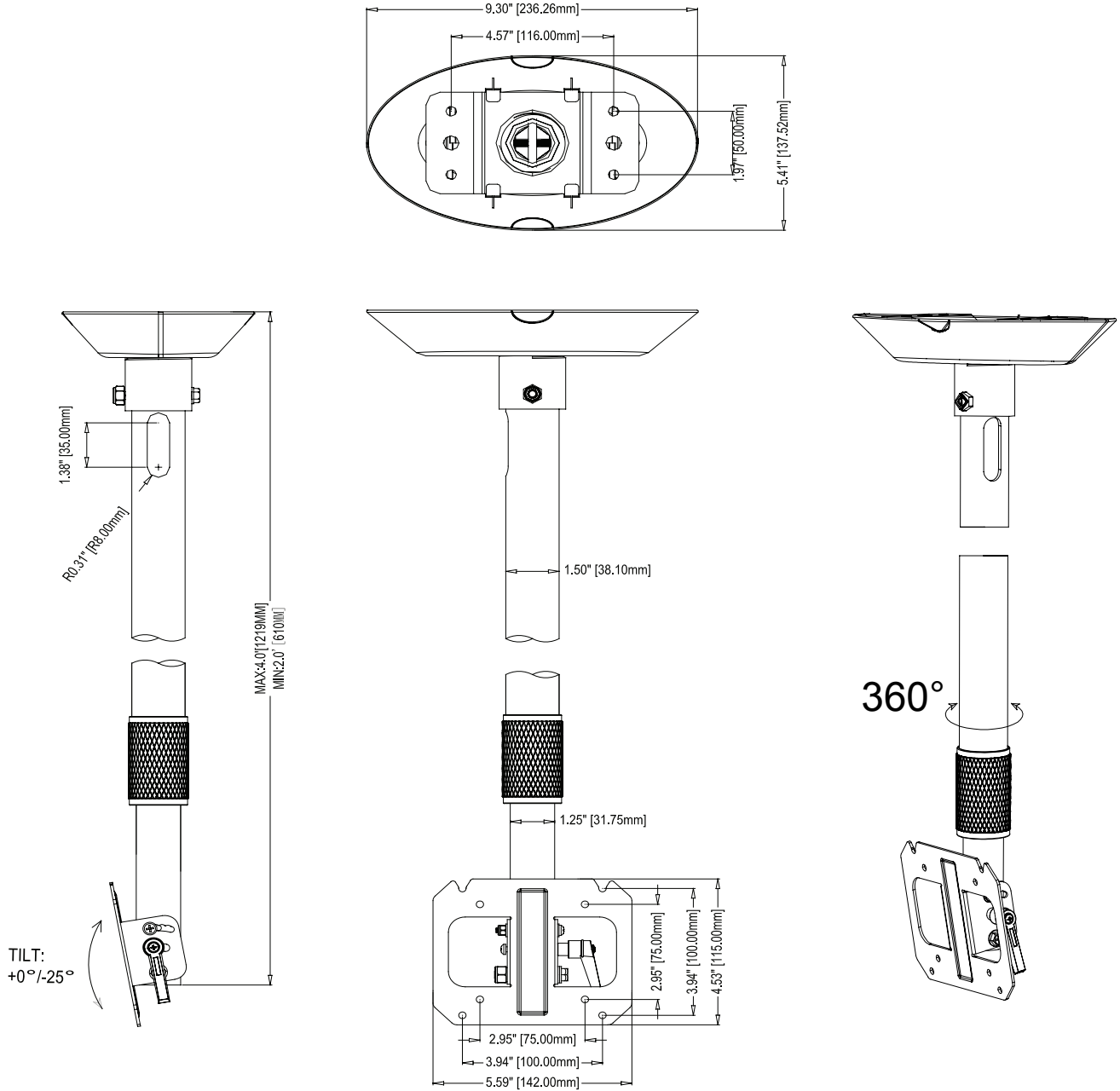
Mounting Hardware
Complete set of screen mounting hardware, labeled for ease of use and ready to go.



Flat Panel Ceiling Mount

For 10" to 32" (25.4-81.3cm) LCD and Plasma TVs

CV100S-24A (BLACK)
CV100S-24AW (WHITE)



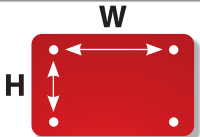
Product Specifications

PRODUCT WEIGHT	LOAD CAPACITY	COLORS	FINISH
3.1lb (1.4kg)	40lb (18kg)	Black White	Scratchresistant powdercoating

Package Specifications

PACKAGE SIZE (WxHxD)	SHIP WEIGHT	UPC CODE	PACKAGE CONTENTS
11" x 8" x 3"	4.6lb (2.1kg)	CV100S-24A(Black) 0815885014857	Ceiling adapter, adjustable column, mount box, mounting hardware, manual.
		CV100S-24AW(White) 0815885014888	

Mounting Interface



Max Mounting Pattern
 100mm (W) x 100mm (H)

VESA	W	X	H
	75mm	100mm	
	X	X	
	75mm	100mm	

Visit crimsonav.com to see the complete lineup of TV, Monitor, Display, and Projector mounts. © 2013 Crimson AV LLC. All rights reserved.