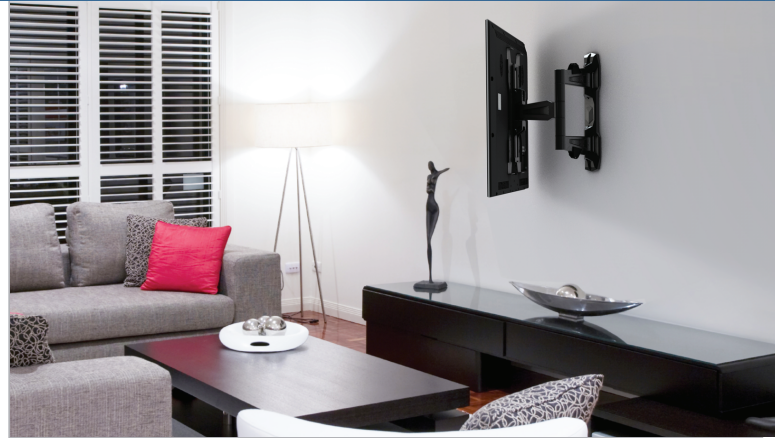




AU42

World's Thinnest Arm
only 1.09" from wall

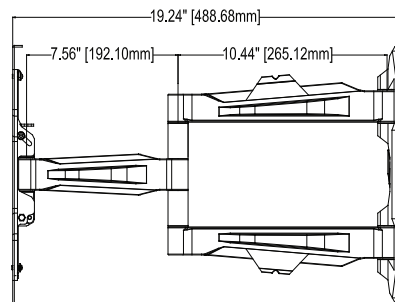
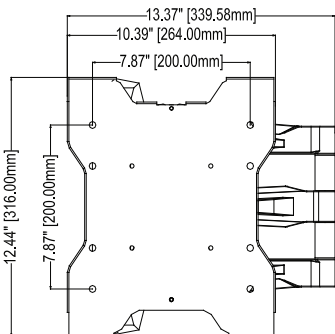
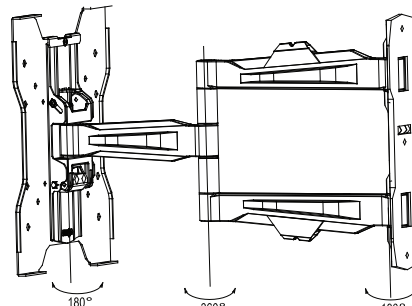
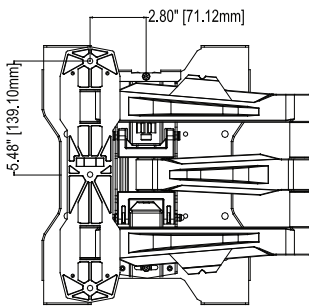


Decorative covers
hide screw heads



3 Attachment points and
a built in level

Model	TV Sizes	Max Mounting Pattern (WxH)	Load Rating
AU42	13"-46"	200x200mm	80lb



Installation

Comes pre-assembled for quick and easy installation. Features a built in level, decorative screw head covers and an easily adjustable tilt mechanism.

Installation Surfaces

Installs on single wood stud or masonry surfaces as well as metal studs (HT3 toggle bolt pack required).

Tilt

Pre-tensioned smooth functioning tilt mechanism allows +15° of adjustment without the need to continuously readjust a tension knob or screw.

VESA Compatible

Compatible with all VESA patterns to 200X200mm. Expandable to 400x400mm with addition of AD400

Construction

Fabricated from high-grade aluminum and cold rolled steel with durable epoxy powder coat finish. Includes a complete array of high-grade fasteners, in a pre-sorted hardware pack for easy selection.

