



**Professional Solutions - Unrivalled Value**

Articulating arm holds screen 2.18" from wall and extends up to 20.7" for variable viewing angles. Smooth tilt adjustments of 15° forward and 5° back for a variety of viewing angles. Makes a secure installation quick and easy, simply hang the screen and turn the pre-assembled securing screw to lock in place. Integrated cable management for clean look.

13"-34" / 33cm-86cm

30 LB / 13.6 KG

- **VESA Compatible**  
Fits VESA hole patterns 75x75mm and 100x100mm.
- **Extendable**  
Extends from 2.18" to 20.7".
- **Screen Size**  
Fits most 13" to 34" flat panel screens weighing up to 30lb (13.6kg).
- **Tilt**  
Pre-tensioned tilt mechanism allows for smooth tilt adjustment of 15° forward and 5° back.
- **Easy Installation**  
Pre-assembled securing screw makes installation fast and easy.
- **Cable Management**  
Integrated cable management for clean look.
- **Included Hardware**  
Pre-sorted hardware pack for easy component selection and installation (hardware for installation to wood studs or concrete surfaces included).

**Functional Specifications**

Depth from wall: 2.18" (55mm)  
Swivel: 180° (3 joints)  
Tilt: +15°/-5°

Mounting Surfaces: Wood stud, concrete & cinder block (with included hardware). Metal Stud (requires accessories).

MaxMountingPattern:  
100mm (3.9") width  
100mm (3.9") height

Load Capacity: 30 LB / 13.6 KG  
Warranty: Limited 10 Years

**Pre-Installed Securing Screw**  
Screen simply hooks in place. Pre-assembled securing screw makes installation fast and easy.

**VESA Compatible**  
75x75mm and 100x100mm.

**Full Range of Motion**  
3 pivot joints for variable viewing angles.

**Tilt**  
Pre-tensioned tilt mechanism allows 15° forward and 15° backward tilt for optimal viewing angles.

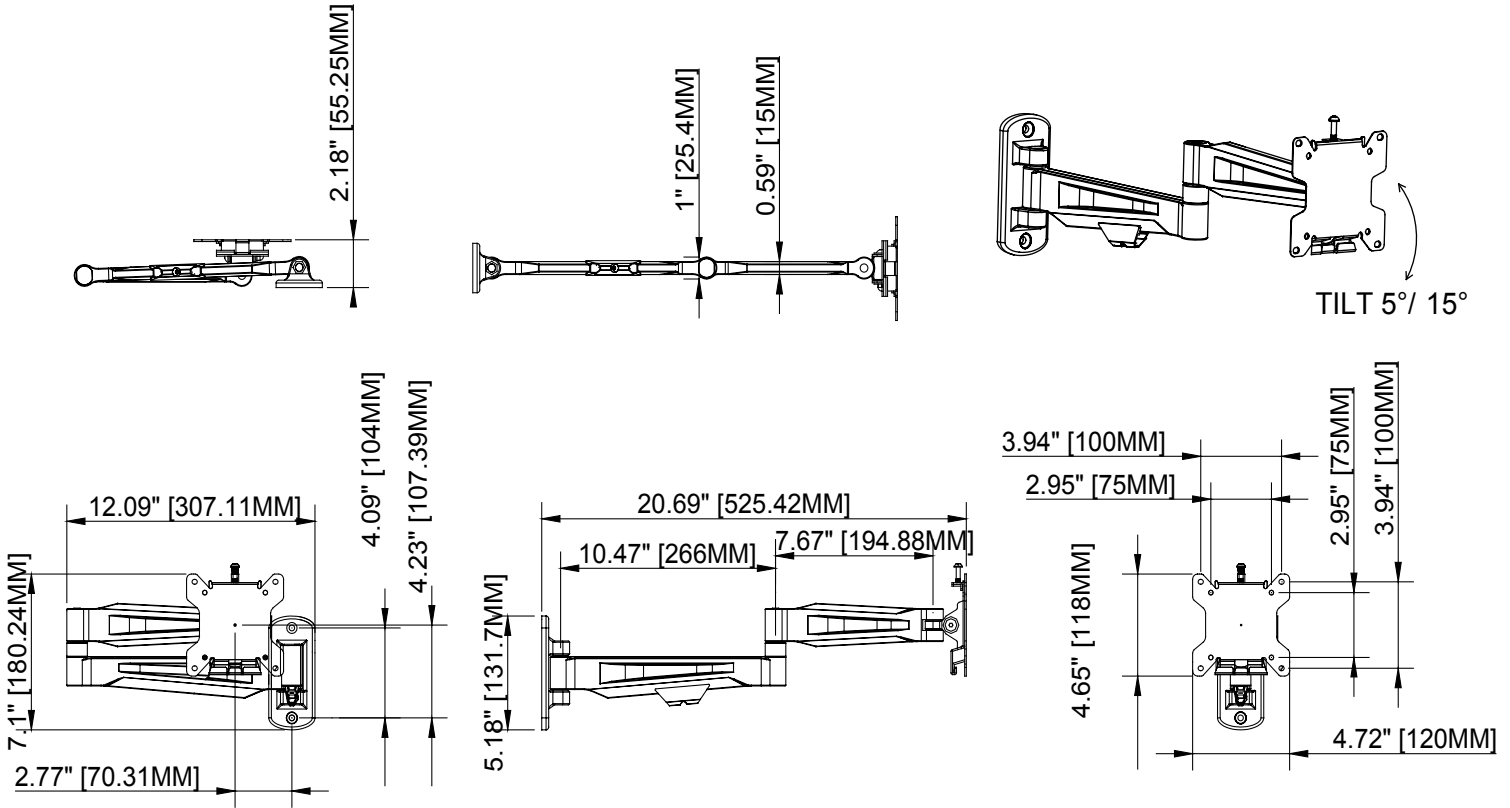
**Cord Management**  
Integrated cord management for clutter-free installation.



# Full Motion Articulating Wall Mount

For 13" to 34" (33-86cm) LCD, LED and Plasma TV's

A34100

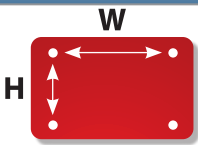


## Product Specifications

## Package Specifications

PRODUCT WEIGHT	LOAD CAPACITY	COLORS	FINISH	PACKAGE SIZE (WxHxD)	SHIP WEIGHT	UPC CODE	PACKAGE CONTENTS
4lb (1.8kg)	30lb (13.6kg)	Black	Scratch resistant powdercoating	14" x 11" x 3" (508 x 305 x 76 mm)	5.4lb (2.5kg)	A34100 (Black) 0815885014598	Mount, wall/screen mounting hardware, product manual.

## Mounting Interface



### Max Mounting Pattern

100mm (W) x 100mm (H)

VESA	W	H
	75mm	100mm
	X	X
	75mm	100mm

## Accessories

### Toggle bolts (for metal stud installation)



- HT2 - 2 Pack
- HT4 - 4 Pack
- HT6 - 6 Pack

Use when installing into metal stud.

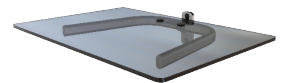
### On-wall Cable Management



- WA1 - 1 Shelf
- WA2 - 2 Shelves
- WA3 - 3 Shelves

Component shelf and on-wall cable routing system. Hides cables inside internal channels for a clean look.

### Shelving



WF1 - 1 Shelf

Single-stud mountable component shelf.

Visit [crimsonav.com](http://crimsonav.com) to see the full line of vidamounts LCD/plasma, projector and TV/monitor mounts. © 2010 Crimson AV LLC. All rights reserved.