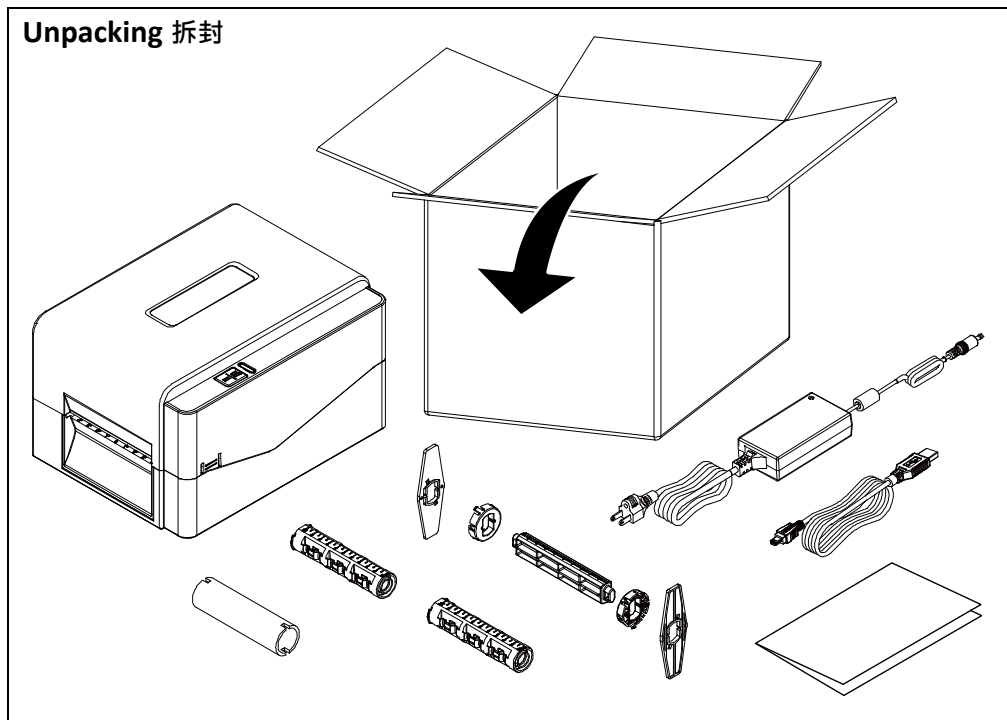
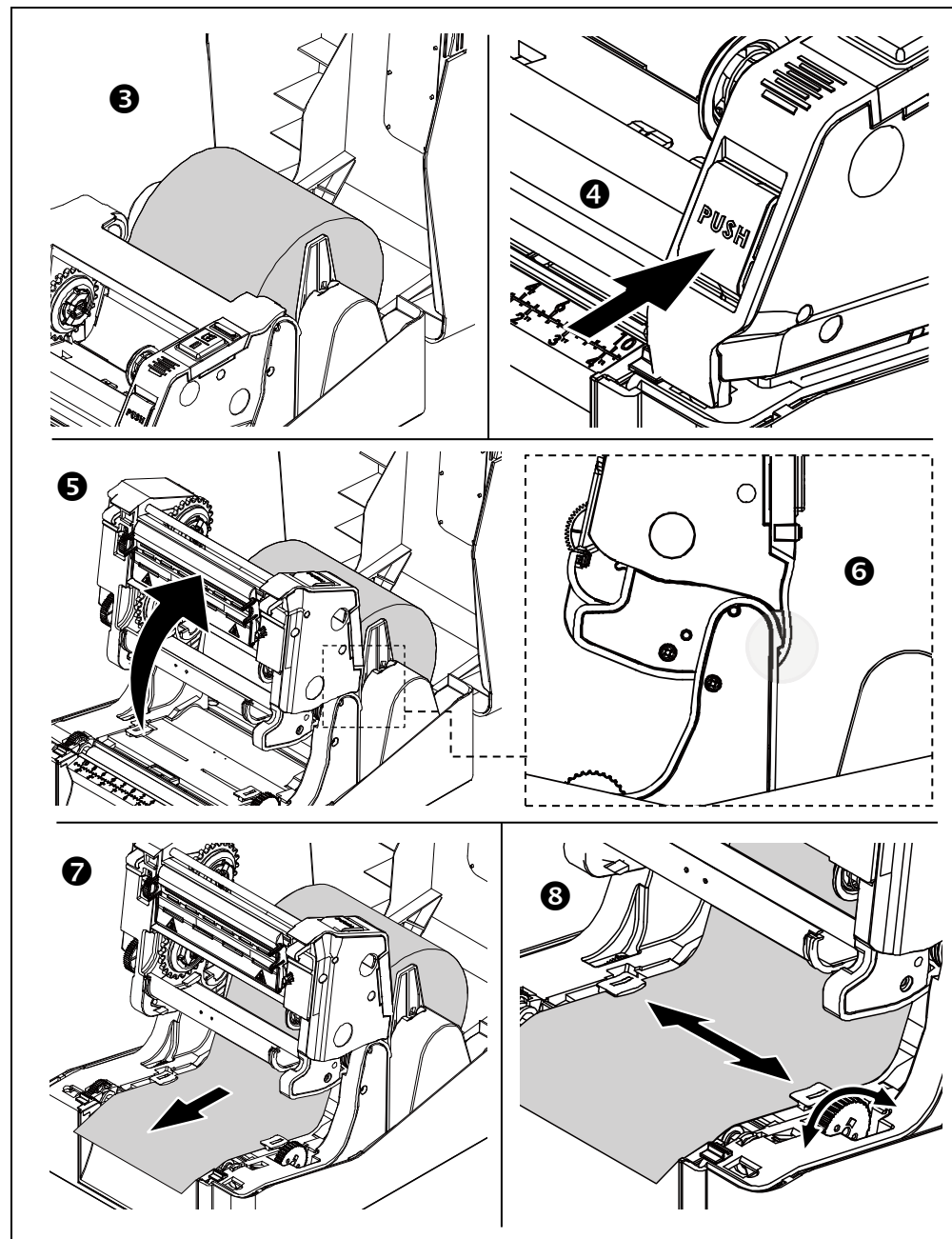
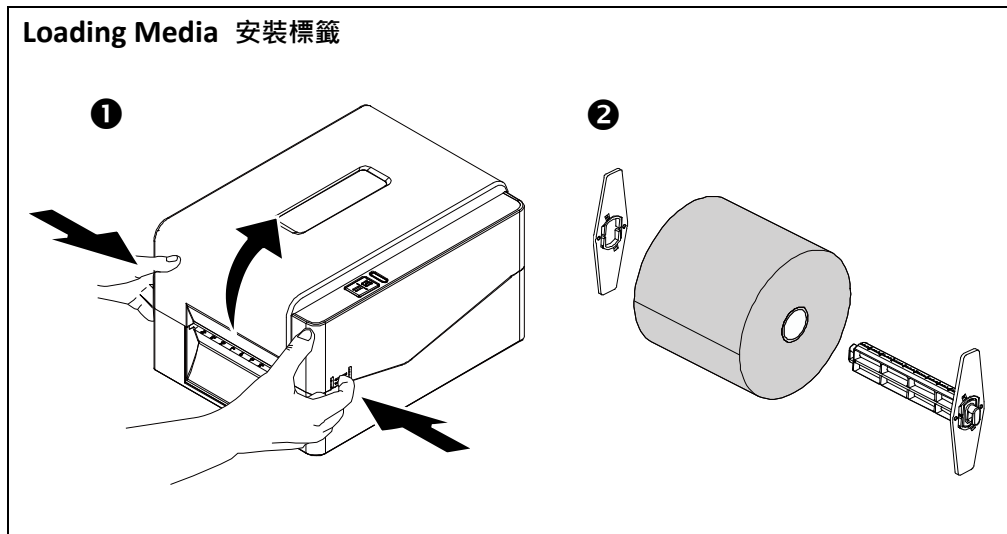




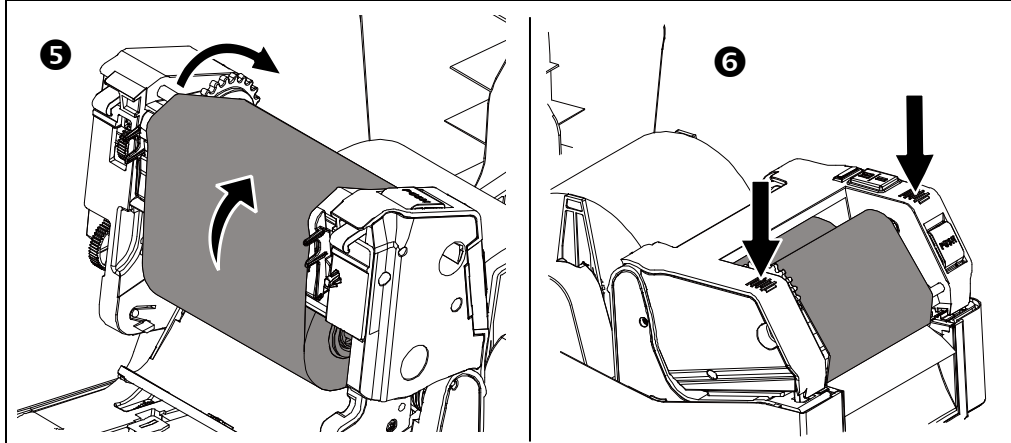
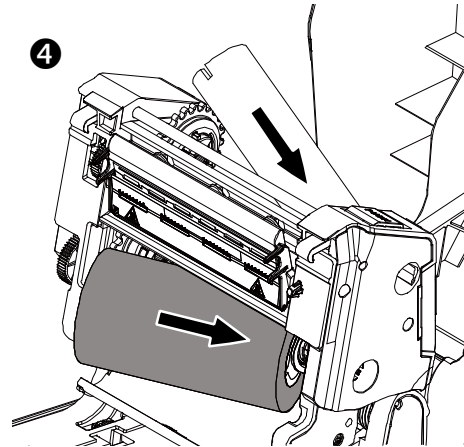
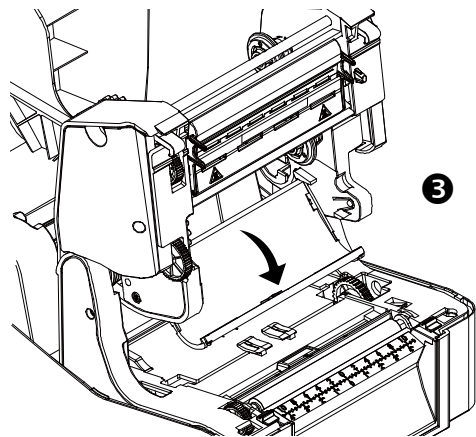
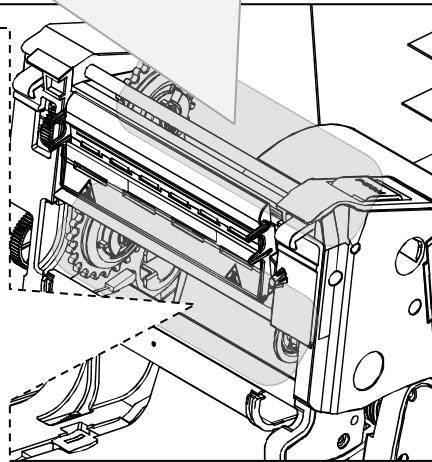
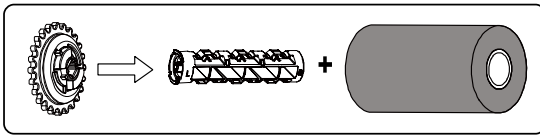
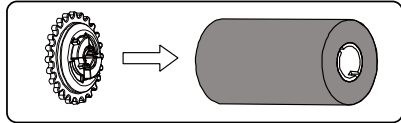
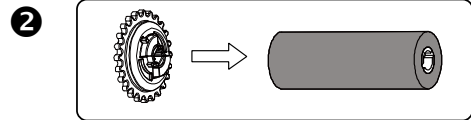
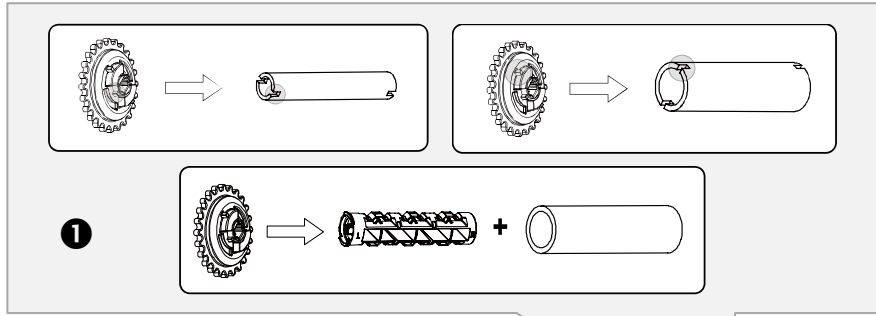
Unpacking 拆封



Loading Media 安裝標籤

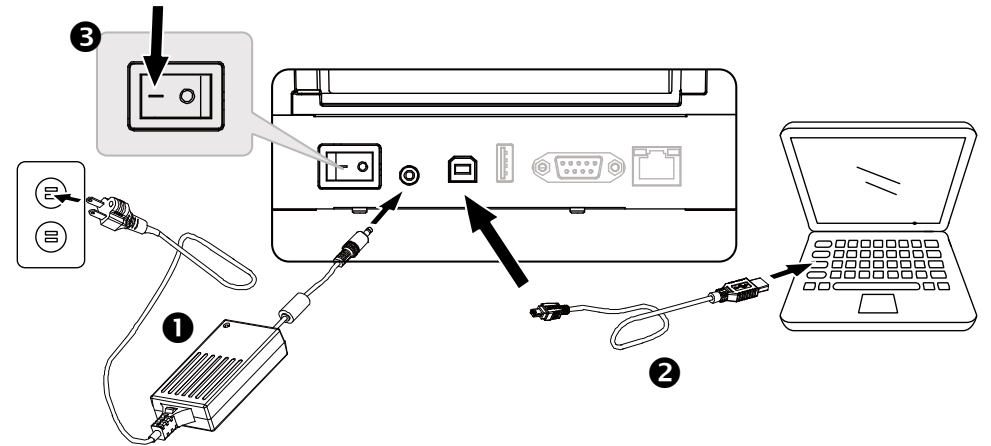


Loading Ribbon 安裝碳帶



Attaching Power & Connecting Interface Cable 連接電源和傳輸線

Turn on the Power 開啟電源



Installing Driver & Calibrating Sensor 安裝驅動程式和感應器校正

