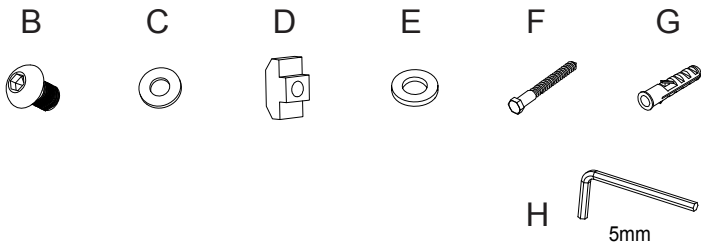
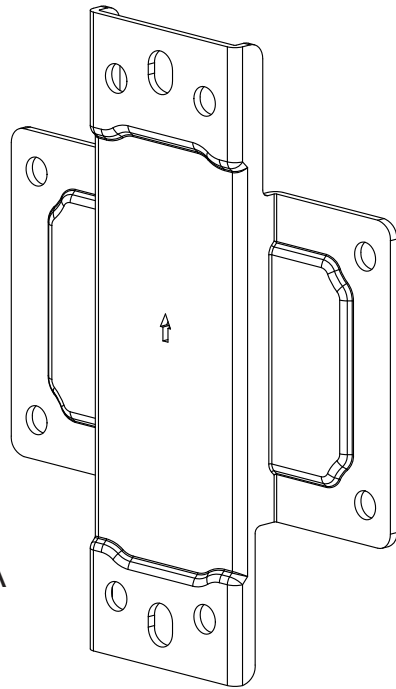
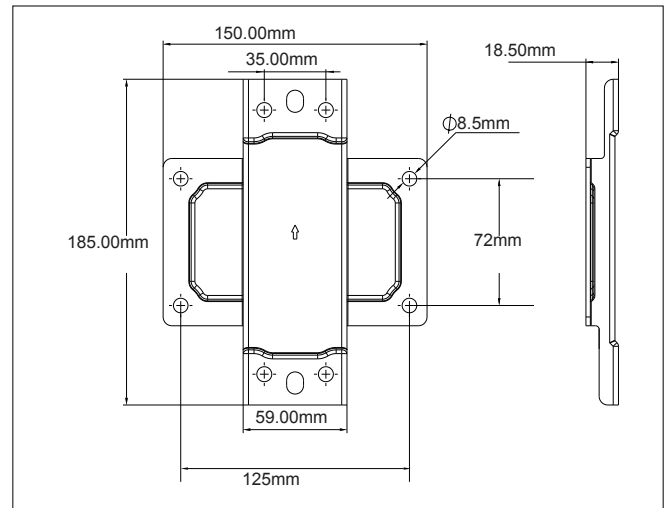


COMPONENT CHECKLIST

Item	Name	QTY
A	Wall Plate	1
B	M8 x 12mm Screw	4
C	M8 Washer	4
D	M8 Nut	4
E	M8 Washer	2
F	Coach Screw	2
G	Plastic Anchor	2
H	5mm Allen Key	1

PRODUCT DIMENSIONS



INSTALLATION INSTRUCTION

