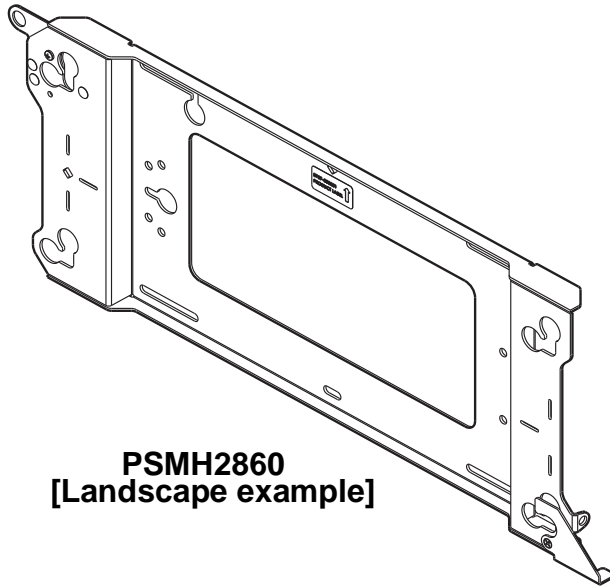
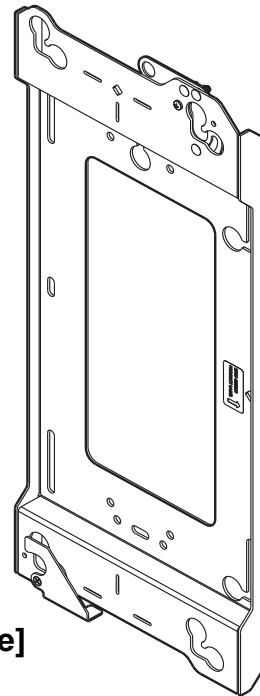

INSTALLATION INSTRUCTIONS



PSMH2860
[Landscape example]



PSMH2860
[Portrait example]

Stretch Display Wall Mount

DISCLAIMER

Milestone AV Technologies and its affiliated corporations and subsidiaries (collectively "Milestone"), intend to make this manual accurate and complete. However, Milestone makes no claim that the information contained herein covers all details, conditions or variations, nor does it provide for every possible contingency in connection with the installation or use of this product. The information contained in this document is subject to change without notice or obligation of any kind. Milestone makes no representation of warranty, expressed or implied, regarding the information contained herein. Milestone assumes no responsibility for accuracy, completeness or sufficiency of the information contained in this document.

Chief® is a registered trademark of Milestone AV Technologies. All rights reserved.

DEFINITIONS

MOUNTING SYSTEM: A MOUNTING SYSTEM is the primary Chief product to which an accessory and/or component is attached.

ACCESSORY: AN ACCESSORY is the secondary Chief product which is attached to a primary Chief product, and may have a component attached or setting on it.

COMPONENT: A COMPONENT is an audiovisual item designed to be attached or resting on an accessory or mounting system such as a video camera, CPU, screen, display, projector, etc.



WARNING: A WARNING alerts you to the possibility of serious injury or death if you do not follow the instructions.



CAUTION: A CAUTION alerts you to the possibility of damage or destruction of equipment if you do not follow the corresponding instructions.



IMPORTANT SAFETY INSTRUCTIONS



WARNING: Failure to read, thoroughly understand, and follow all instructions can result in serious personal injury, damage to equipment, or voiding of factory warranty! It is the installer's responsibility to make sure all mounting systems are properly assembled and installed using the instructions provided.



WARNING: Failure to provide adequate structural strength for this mounting system can result in serious personal injury or damage to equipment! It is the installer's responsibility to make sure the structure to which this mounting system is attached can support five times the combined weight of all equipment. Reinforce the structure as required before installing the mounting system.



WARNING: Exceeding the weight capacity can result in serious personal injury or damage to equipment! It is the installer's responsibility to make sure the combined weight of all components attached to mounting system does not exceed 75 lbs (34.0 kg).



WARNING: Use this mounting system only for its intended use as described in these instructions. Do not use attachments not recommended by the manufacturer.



WARNING: Never operate this mounting system if it is damaged. Return the mounting system to a service center for examination and repair.



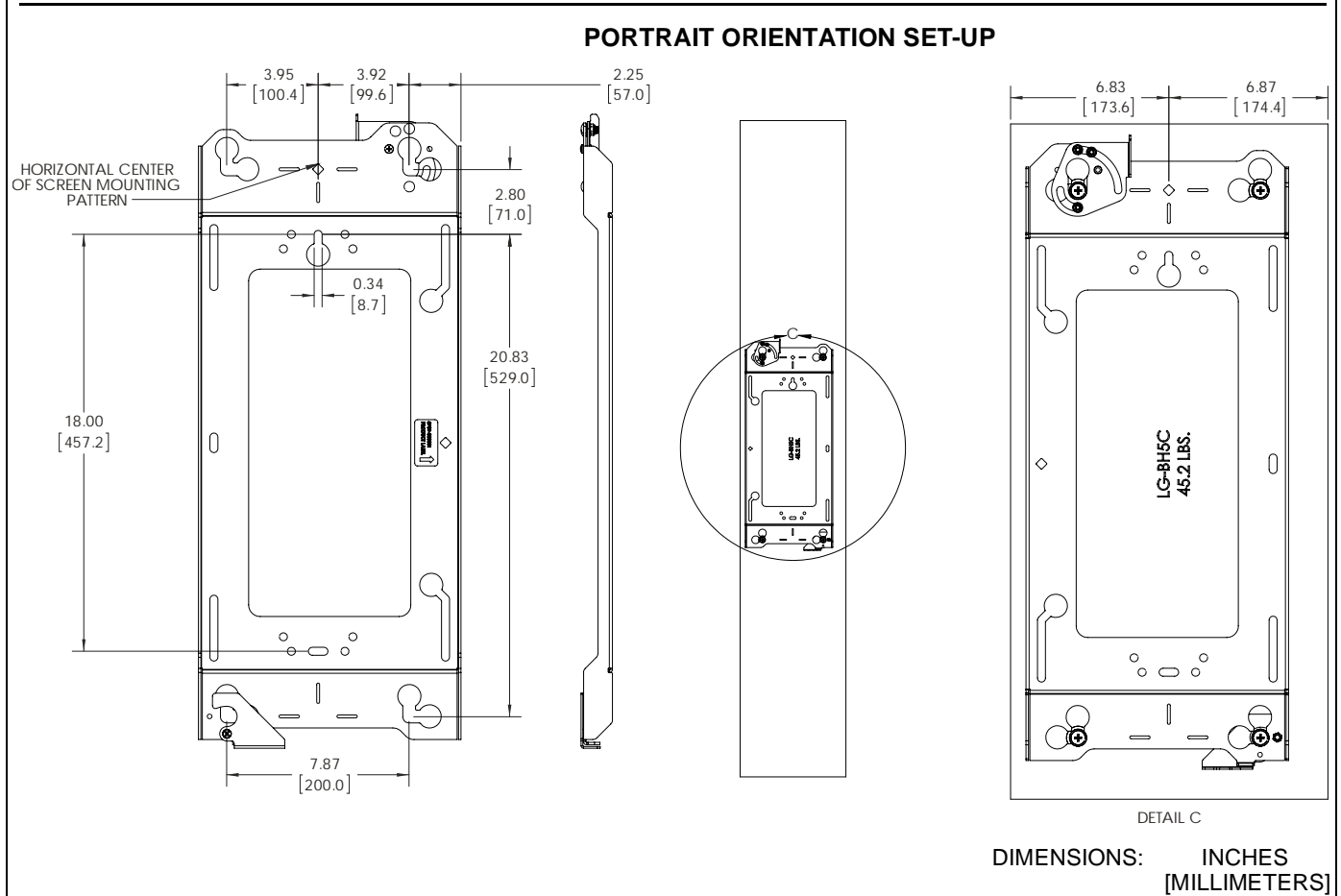
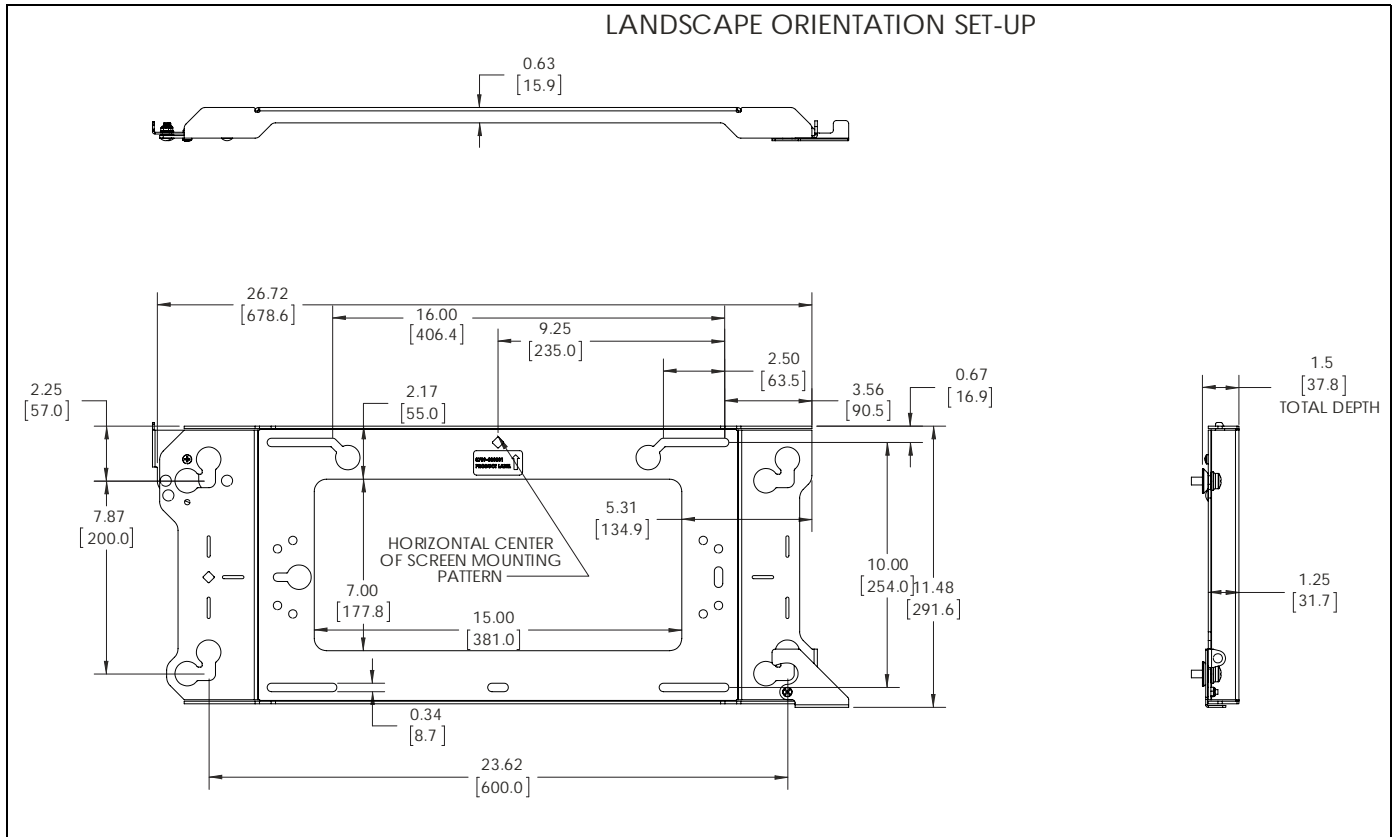
WARNING: Do not use this mounting system outdoors.

IMPORTANT ! : The PSMH2860 mounting system is designed to be mounted to a:

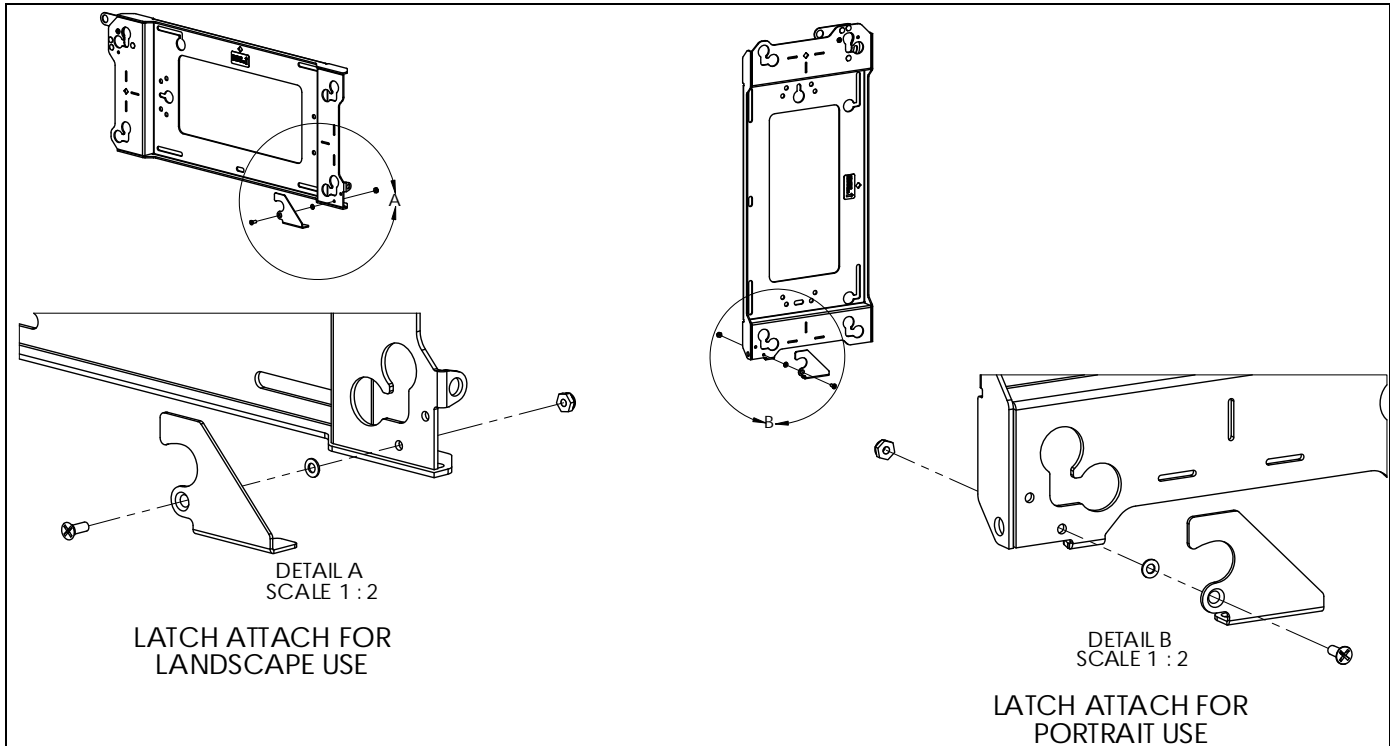
- 2" x 4" wood studs (16" on center) wall covered with drywall having a maximum thickness of 5/8"; or
- bare 8" thick solid concrete or 8"x8"x16" concrete block wall.

--SAVE THESE INSTRUCTIONS--

DIMENSIONS



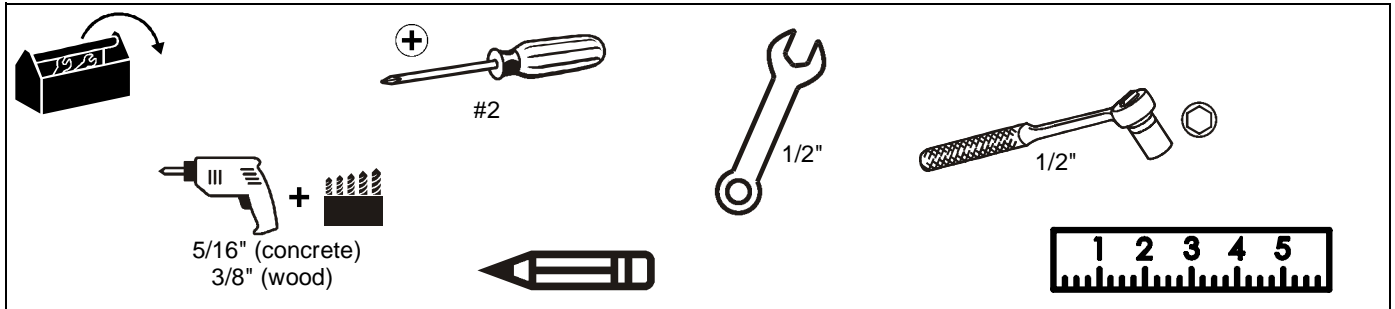
DIMENSIONS -- continued



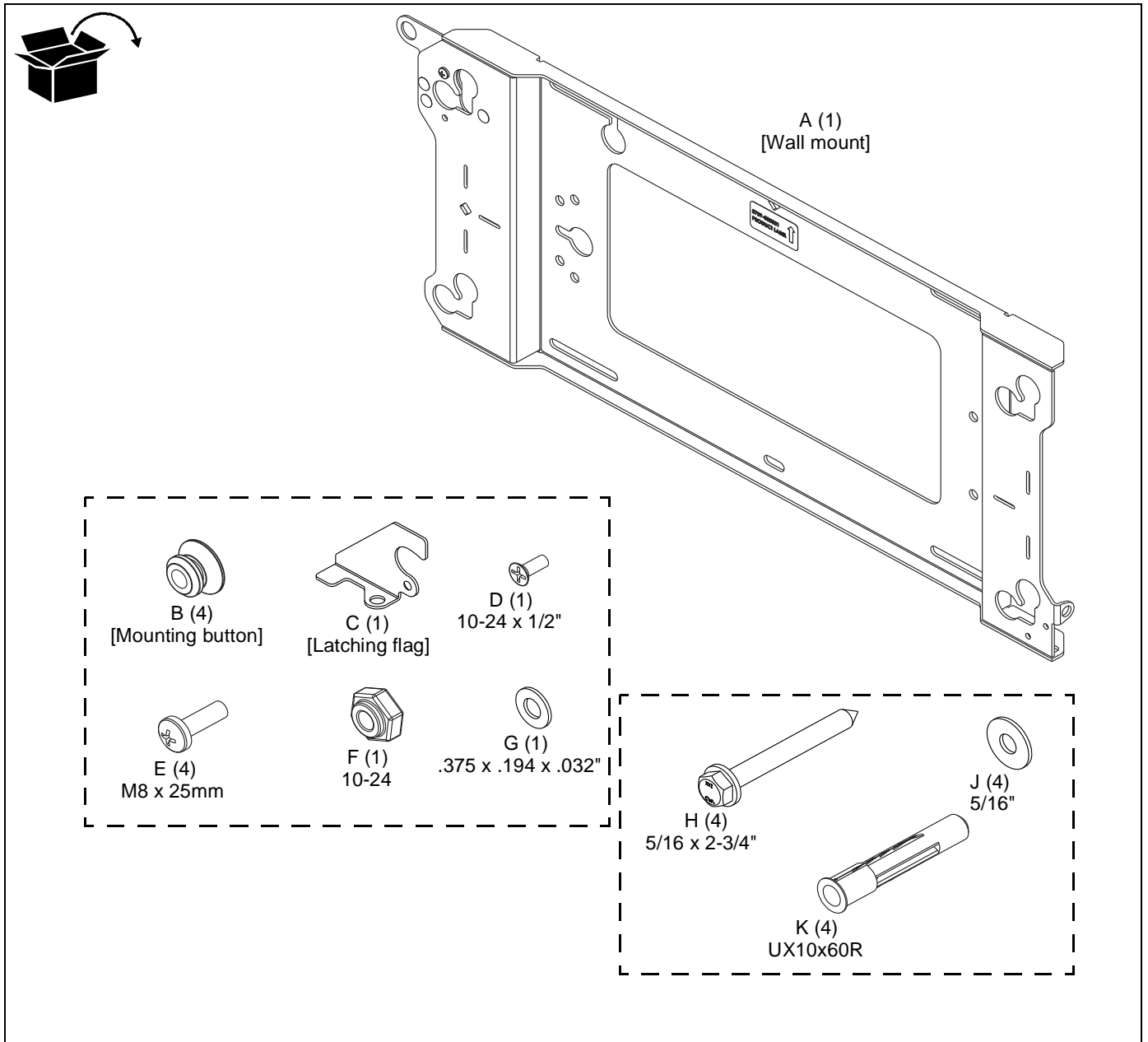
LEGEND

	Tighten Fastener		Pencil Mark
	Apretar elemento de fijación		Marcar con lápiz
	Befestigungsteil festziehen		Stiftmarkierung
	Apertar fixador		Marcar com lápis
	Serrare il fissaggio		Segno a matita
	Bevestiging vastdraaien		Potloodmerkteken
Serrez les fixations	Marquage au crayon		
	Loosen Fastener		Drill Hole
	Aflojar elemento de fijación		Perforar
	Befestigungsteil lösen		Bohrloch
	Desapertar fixador		Fazer furo
	Allentare il fissaggio		Praticare un foro
	Bevestiging losdraaien		Gat boren
Desserrez les fixations	Percez un trou		
	Phillips Screwdriver		Open-Ended Wrench
	Destornillador Phillips		Llave de boca
	Kreuzschlitzschraubendreher		Gabelschlüssel
	Chave de fendas Phillips		Chave de bocas
	Cacciavite a stella		Chiave a punta aperte
	Kruiskopschroevendraaier		Steeksleutel
Tournevis à pointe cruciforme	Clé à fourche		

TOOLS REQUIRED FOR INSTALLATION



PARTS



ASSEMBLY AND INSTALLATION

Installing Mounting Buttons

1. Attach four mounting buttons (B) to back of display using four M8 x 25mm Phillips head cap screws (E). (See Figure 1)

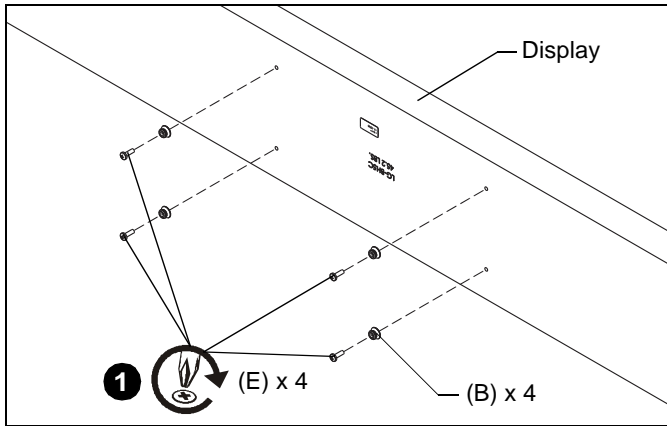


Figure 1

NOTE: Depending on installation requirements, proceed to either **Landscape (Horizontal) Set-Up** or **Portrait (Vertical) Set-Up** section.

Landscape (Horizontal) Set-Up

1. Install latching flag (C) using one 10-24 x 1/2" flat head Phillips screw (D), one spacer (G), and one 10-24 lock nut (F). (See Figure 2)
2. Proceed to **Attaching PSMH2860 to Wall** section.

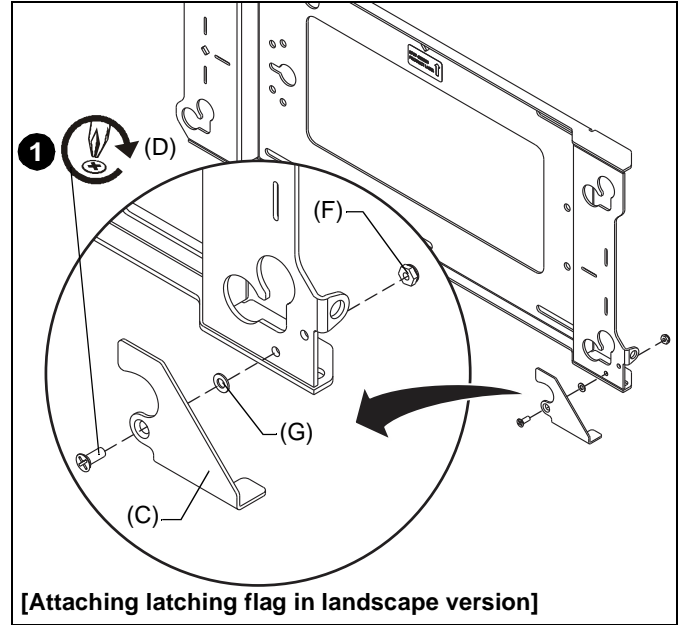


Figure 2

Portrait (Vertical) Set-Up

1. Remove and **save** Phillips head screw from landscape/portrait position latch. (See Figure 3)
2. Move position latch from **landscape** position to **portrait** position. (See Figure 3)
3. Replace Phillips head screw removed in Step 1.

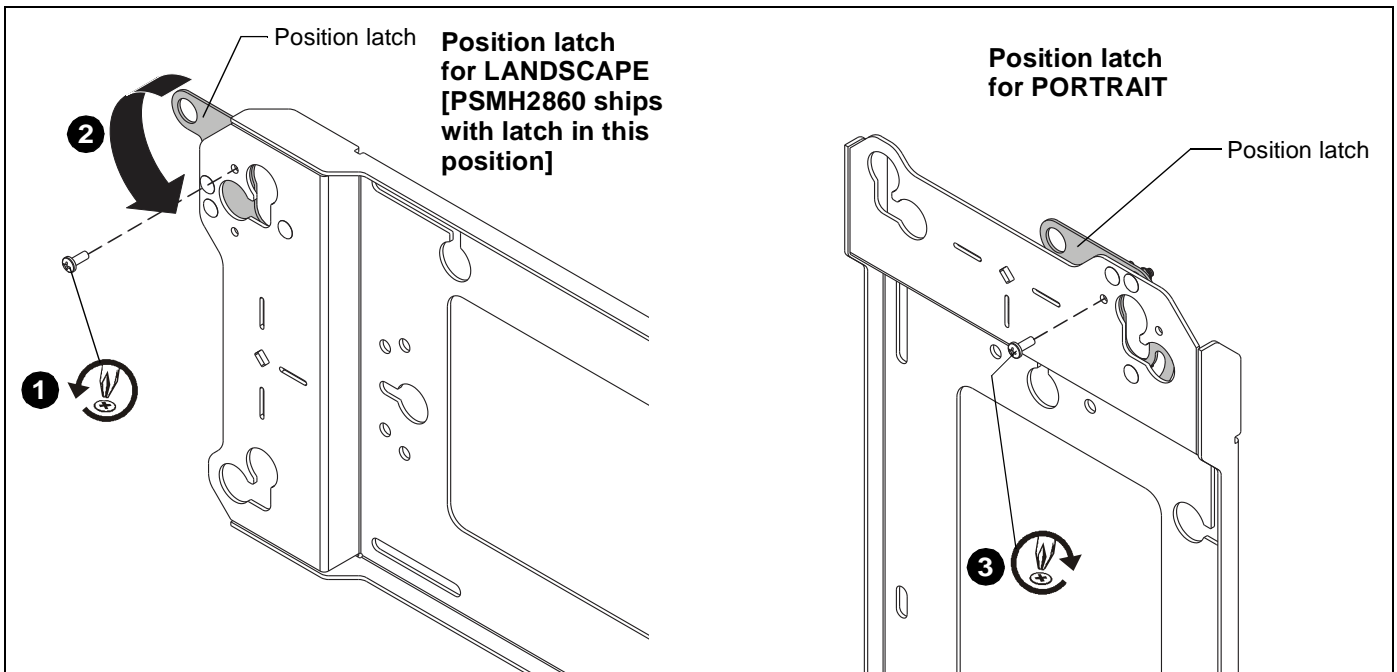


Figure 3

4. Install latching flag (C) using one 10-24 x 1/2" flat head Phillips screw (D), one spacer (G), and one 10-24 lock nut (F). (See Figure 4)

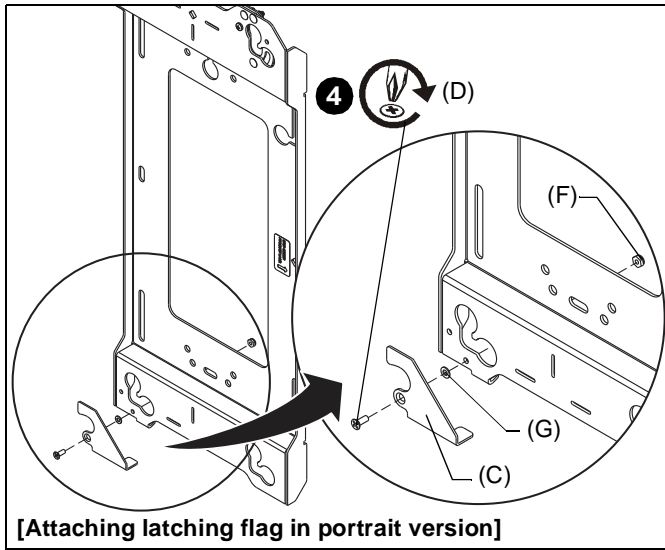


Figure 4

Attaching PSMH2860 to Wall

1. Place mounting system against wall in desired installation location.
2. Level and adjust PSMH2860 making certain slots in upper and lower horizontal brackets are properly positioned over studs for either a single stud installation (landscape or portrait) or a dual stud installation (landscape only). (See Figure 5)

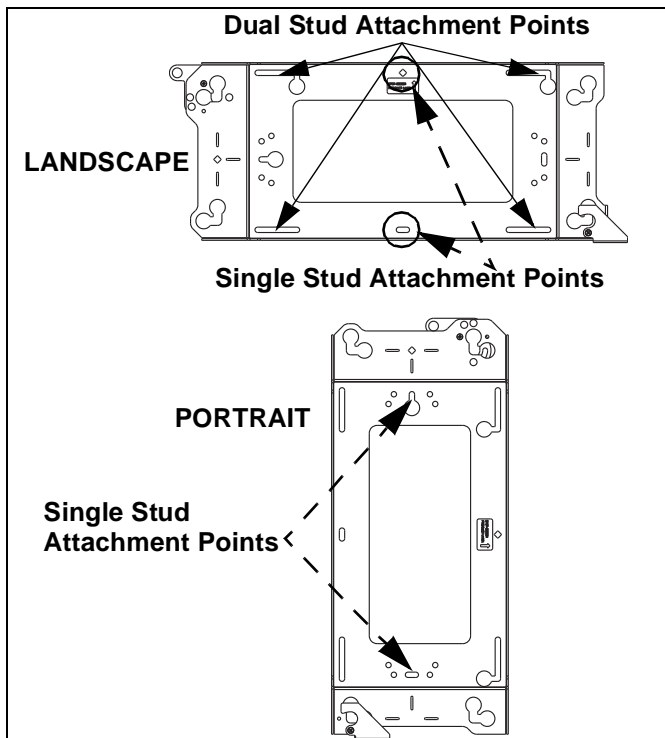


Figure 5

3. Mark the location of four mounting holes (or two mounting holes for single stud mounting holes) onto wall. (See Figure 5)

Table 1: Fastener Information

WALL TYPE	PILOT HOLE	FASTENERS (see PARTS drawing)
Wood stud (2" x 4")	7/32" x 3"	5/16 x 2-3/4" hex head lag (H) & 5/16" washer (J). Fasteners placed at stud locations, min. 16" (400mm) and max. 24" (610mm).
Concrete	3/8" x 3-1/2"	5/16 x 2-3/4" hex head lag (H) & UX10x60R anchor (K). Fasteners placed a min. 16" (400mm) and max. 24" (610mm).

4. Drill four pilot holes (two for single stud install) at marked locations. (See Table 1)
5. Proceed to either **Wood Stud** or **Concrete** section for attachment instructions.



CAUTION: IMPROPER INSTALLATION CAN LEAD TO MOUNT FALLING CAUSING SERIOUS PERSONAL INJURY OR DAMAGE TO EQUIPMENT! DO NOT over tighten hardware!

IMPORTANT ! : See Table 1 for appropriate hardware and pilot hole sizes for various wall types.

Wood Stud

1. Use one 5/16" x 2-3/4" hex head lag bolt (H) through one 5/16" washer (J), the PSMH2860 and into pilot hole. (See Figure 6)
2. Repeat for remaining pilot hole(s).

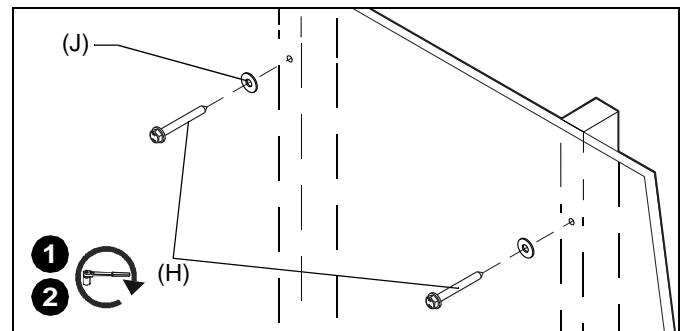


Figure 6

Concrete

1. Install one UX10x60R anchor (K) into each pilot hole using a hammer, making sure that the anchor is flush with the wall. (See Figure 7)
2. Use one 5/16" x 2-3/4" lag bolt (H) through product into each anchor in wall.
3. Repeat for remaining pilot hole(s).

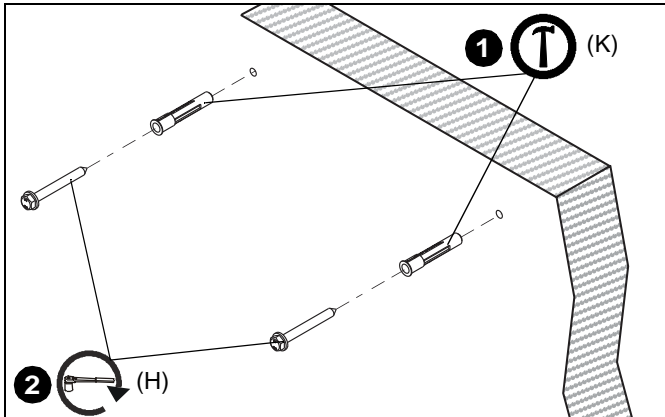


Figure 7

Display Installation

⚠ WARNING: IMPROPER INSTALLATION CAN LEAD TO MOUNT FALLING CAUSING SERIOUS PERSONAL INJURY OR DAMAGE TO EQUIPMENT! DO NOT substitute hardware.

1. Move latching flag on mount to the **OPEN** position. (See Figure 8)

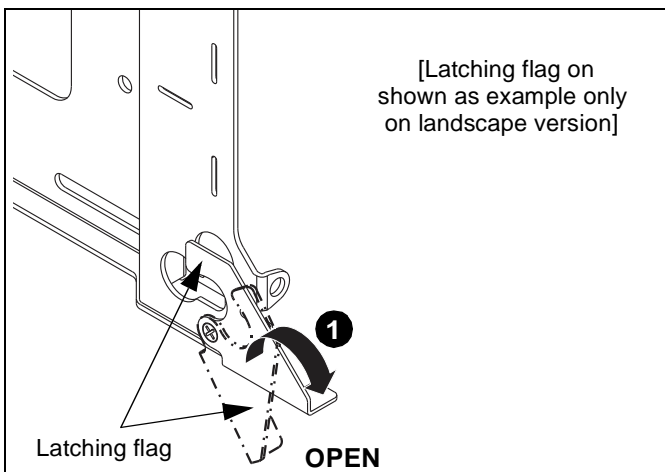


Figure 8

2. Lift display following lifting instructions provided by display manufacturer.
3. Align mounting buttons on display with teardrop mounting holes in mount. (See Figure 9)
4. Move display forward until recessed area of mounting buttons is positioned over lower area of teardrop mounting holes. (See Figure 9)

5. Lower display until recessed area of mounting buttons is seated in lower area of teardrop mounting holes. (See Figure 9)

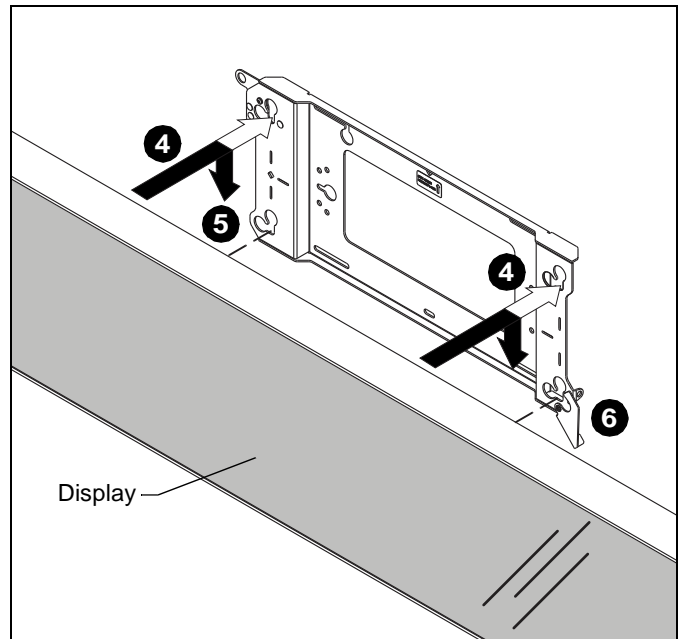


Figure 9

6. Move latching flag to **CLOSED** position. (See Figure 10)
7. **OPTIONAL:** Lock latching flag in place, if desired. (See Figure 10)

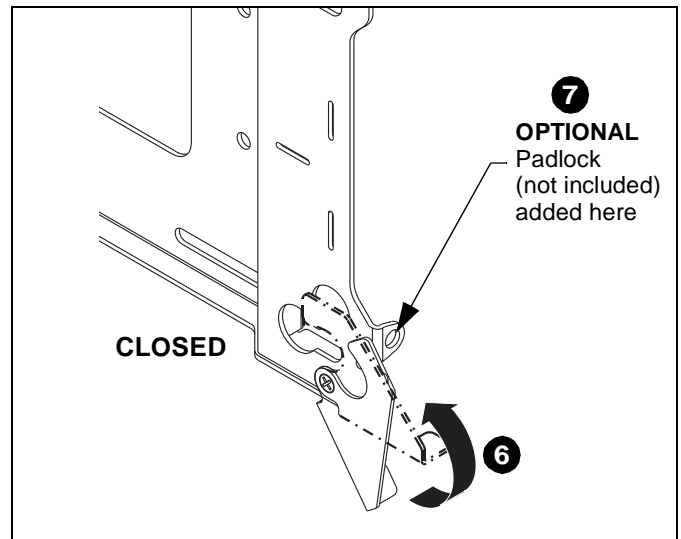


Figure 10

8. Route wires and cables to display.



Our Mounts. **Your Vision.**

Chief, a products division of
Milestone AV Technologies

8800-002944 Rev00
©2017 Milestone AV Technologies
www.milestone.com
04/17

USA/International	A 6436 City West Parkway, Eden Prairie, MN 55344 P 800.582.6480 / 952.225.6000 F 877.894.6918 / 952.894.6918
Europe	A Franklinstraat 14, 6003 DK Weert, Netherlands P +31 (0) 495 580 852 F +31 (0) 495 580 845
Asia Pacific	A Office No. 918 on 9/F, Shatin Galleria 18-24 Shan Mei Street Fotan, Shatin, Hong Kong P 852 2145 4099 F 852 2145 4477

