



EXTENDED VEHICLE DOCK FOR TOUGHPAD FZ-A2

Model Numbers: PCPE-GJA2V06/07/08/09/10

A rugged, expanded vehicle dock for the Toughpad FZ-A2 which accommodates the FZ-A2 tablet with large configuration options, some cases and hand straps.

The ergonomic pinch lock mechanism and slam latch allow easy lock and release operation with both hands, while the rugged, impact-resistant casing allows this dock to be both durable and lightweight.

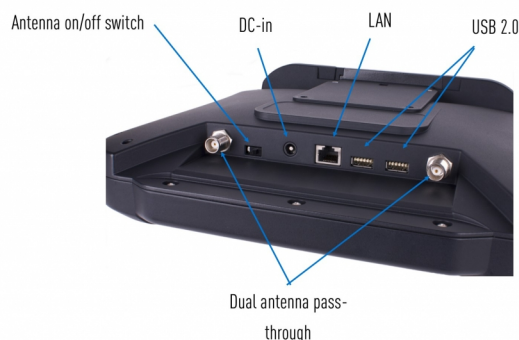
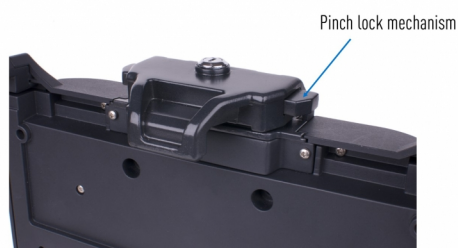
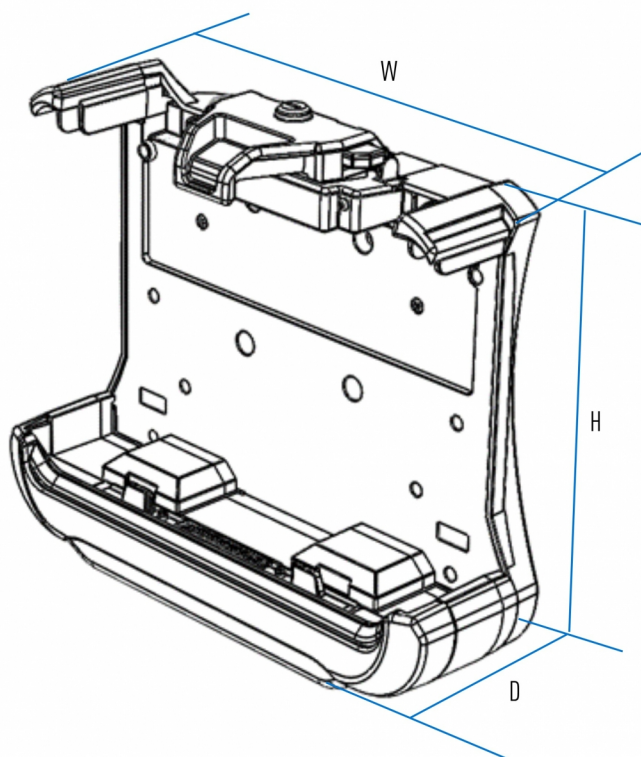
Features

- Compatible with the Toughpad FZ-A2 and CF-20 tablet portion
- Accommodates FZ-A2 with large configuration options, handstraps and cases
- Pinch lock mechanism for ease of use
- Lock accessible with both hands
- VESA 75mm mounting pattern
- Power adaptor not included
- Composite ABS construction for weight saving and durability
- Docking mechanism tested to 30,000 cycles (not limited to)
- Designed and tested to MIL-STD-810G test criteria
- 1 year standard warranty (pick-up and return)
- 3 and 5 year Extended Warranty and Accidental Damage cover available

EXTENDED VEHICLE DOCK FOR TOUGHPAD FZ-A2

Technical specifications are subject to change without notice.

Model Number:	PCPE-GJA2V06	PCPE-GJA2V07	PCPE-GJA2V08	PCPE-GJA2V09
Antenna Pass-Through	No	Yes	No	Yes
Lock Type	Keyed Alike	Keyed Alike	Keyed to Differ	Keyed to Differ
Power Input	DC-16V			
LAN	1x			
USB	2x USB 2.0			
Serial	-			
VGA	-			
HDMI	-			
Dimensions				
Width	297 mm / 11.7"			
Height	259 mm / 10.2"			
Depth	109 mm / 4.3"			
Weight	1.4 Kg / 3.0 lbs			
Warranty	1 year standard (pick up and return), extended options available			
Configurations supported:	With hand strap and case or additional gadgets			
Non-electronic version available?	Yes - PCPE-GJA2V10		No	



CERTIFICATIONS AND TESTING:

- . Toughbook Certified
- . Tested to MIL-STD-810G shock/vibration test criteria
- . RoHS; C-Tick; E-Mark; FCC; CE