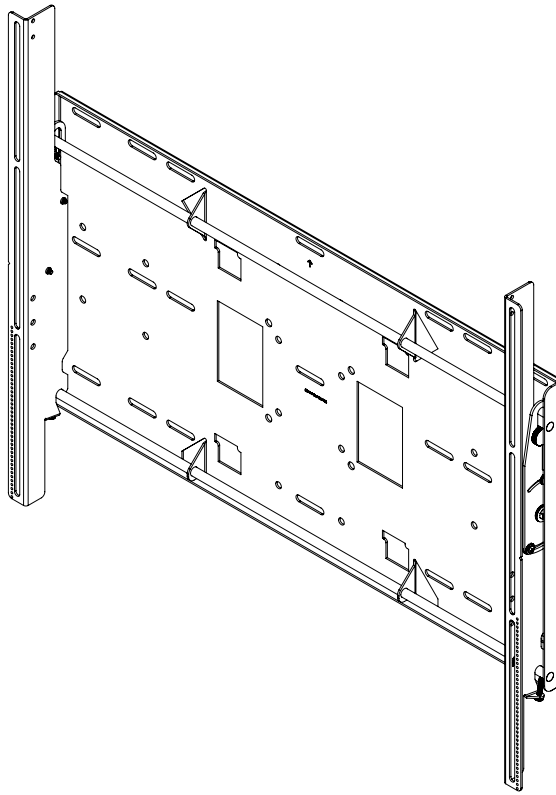

PLANAR

A **LEYARD** Company[®]

Planar FWMV-MXL INSTALLATION INSTRUCTIONS



Universal Tilting Mount for Planar Flat Panels

Part Number: 955-0679-00

Planar, A Leyard Company
1195 NW Compton Drive
Beaverton, OR 97006
(866) 475-2627
www.planar.com

Maximum Flat Panel Weight: **300 lbs.**

THE WALL STRUCTURE MUST BE CAPABLE OF SUPPORTING AT LEAST FOUR TIMES THE WEIGHT OF THE FLAT PANEL. IF NOT, THE WALL STRUCTURE MUST BE REINFORCED.

Warning Statements



PRIOR TO THE INSTALLATION OF THIS PRODUCT, THE INSTALLATION INSTRUCTIONS MUST BE READ AND COMPLETELY UNDERSTOOD. KEEP THESE INSTALLATION INSTRUCTIONS IN AN EASILY ACCESSIBLE LOCATION FOR FUTURE REFERENCE.



PROPER INSTALLATION PROCEDURE BY A QUALIFIED SERVICE TECHNICIAN MUST BE FOLLOWED, AS OUTLINED IN THESE INSTALLATION INSTRUCTIONS. FAILURE TO DO SO COULD RESULT IN PROPERTY DAMAGE, SERIOUS PERSONAL INJURY, OR EVEN DEATH.



SAFETY MEASURES MUST BE PRACTICED AT ALL TIMES DURING THE ASSEMBLY OF THIS PRODUCT. USE PROPER SAFETY EQUIPMENT AND TOOLS FOR THE ASSEMBLY PROCEDURE TO PREVENT PERSONAL INJURY.



PLANAR DOES NOT WARRANT AGAINST DAMAGE CAUSED BY THE USE OF ANY PLANAR PRODUCT FOR PURPOSES OTHER THAN THOSE FOR WHICH IT WAS DESIGNED OR DAMAGE CAUSED BY UNAUTHORIZED ATTACHMENTS OR MODIFICATIONS, AND IS NOT RESPONSIBLE FOR ANY DAMAGES, CLAIMS, DEMANDS, SUITS, ACTIONS OR CAUSES OF ACTION OF WHATEVER KIND RESULTING FROM, ARISING OUT OF OR IN ANY MANNER RELATING TO ANY SUCH USE, ATTACHMENTS OR MODIFICATIONS.



At least two qualified people should perform the assembly procedure. Personal injury and/or property damage can result from dropping or mishandling the flat panel.



If mounting to wall studs or ceiling studs, make sure that the mounting screws are anchored into the center of the wall studs or ceiling studs. Use of an edge-to-edge stud finder is recommended.



It is recommended that a maximum of 5/8" plaster board be used when mounting to wooden studs.



Be aware of the mounting environment. If drilling and/or cutting into the mounting surface, always make sure that there are no electrical wires in wall. Cutting or drilling into an electrical line may cause serious personal injury.



Make sure there are no water or natural gas lines inside the wall where the mount is to be located. Cutting or drilling into a water or gas line may cause severe property damage or personal injury.

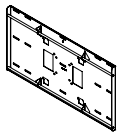


This product is intended for indoor use only. Use of this product outdoors could lead to product failure and/or serious personal injury.



Do not install near sources of high heat. Do not install on a structure that is prone to vibration, movement or chance of impact.

Included components



x1

Wall Plate



x1 Pair

Mounting Bracket



x1

Thread Depth Indicator (Supplied)



x4

Universal Spacers



x4

Griplate™ Washer



x2

M6 Safety Knurl Knob



x9

5/16" Flat Washer



x9

5/16" x 3" Lag Bolt



x9

Finned Anchor



x4

M6 x 16mm



x4

M6 x 20mm



x6

M6 x 30mm



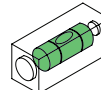
x4

M8x 16mm



x4

M8 x 20mm



Level



x2

Panelock™ Hardware Kit



x1

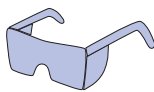
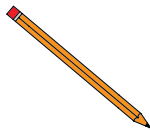
Security Head Allen Wrench



x2

M6 x 12mm

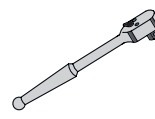
Required for installation



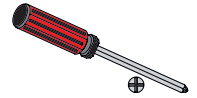
M6 or 1/4" Wood Drill bit



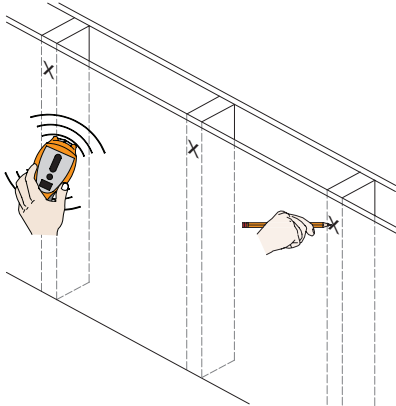
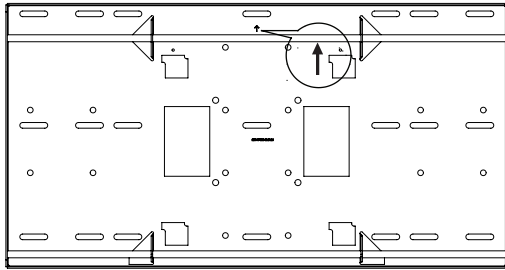
3/8" Masonry Drill bit



13mm or 1/2" Socket



1



WOOD STUD INSTALLATION



Minimum of 2 x 4 wood stud to be used



Directional Mounting Arrow

The Directional Mounting Arrow stamped into the wall plate indicates which edge is the top.



Visual Centering Diamond

The Visual Centering Diamond will guide you in determining the screen placement on the wall.



Mounting Safety

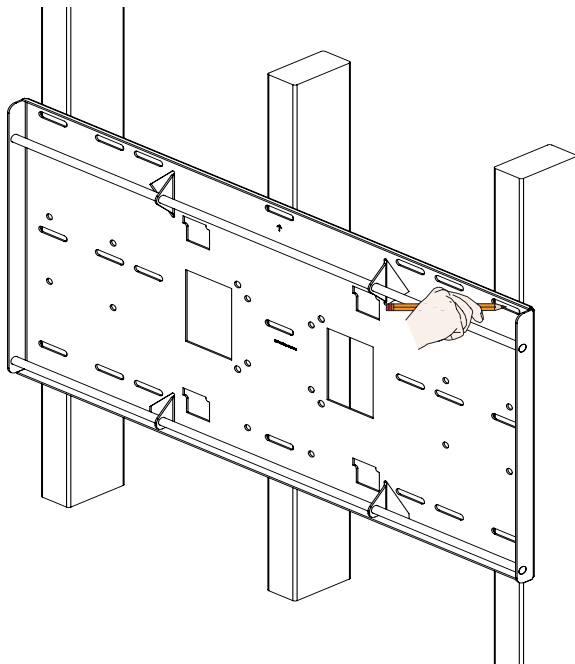
Two people are recommended to install the wall plate.



You must secure the wall plate to three (3) wall studs with a minimum of nine (9) lag bolts (3 lag bolts for each stud found)

- 1) Use a stud finder to determine the center of wall studs in the vicinity of the wall plate.
- 2) Use a pencil to mark the center of each of the wall studs.

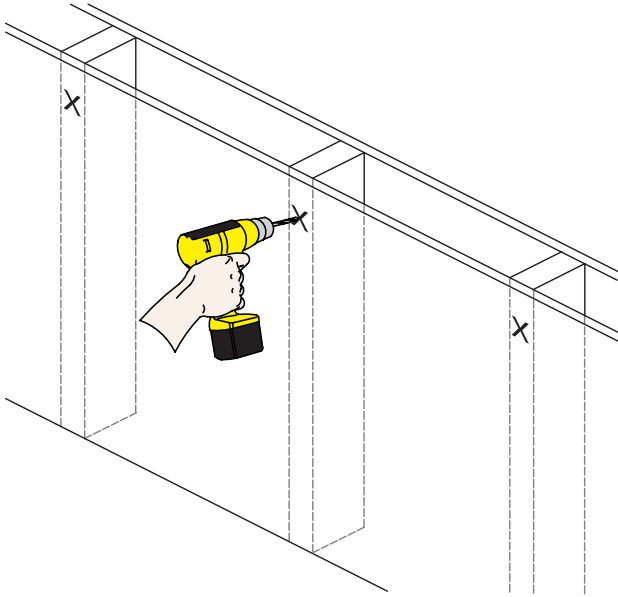
2



Two people are recommended for this step; one person to level the wall plate and another person to mark the wall stud location.

- 1) Place the wall plate against the wall in the desired viewing location.
- 2) Adjust the wall plate to align the mount slots in the wall plate with the center of the wall studs.
- 3) Use a pencil to mark the upper right mounting location along the center of the wall stud.

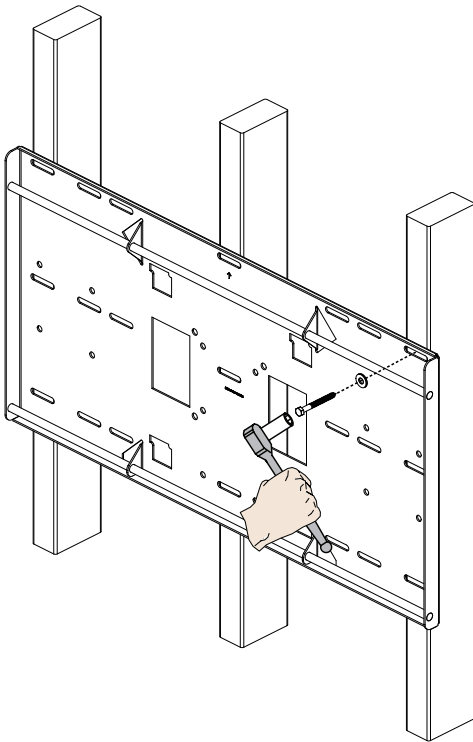
3




Drill a "pilot hole" in the center of the upper right mark using a 1/4" drill bit and power drill.

 Only use a 1/4" drill bit when drilling pilot holes.

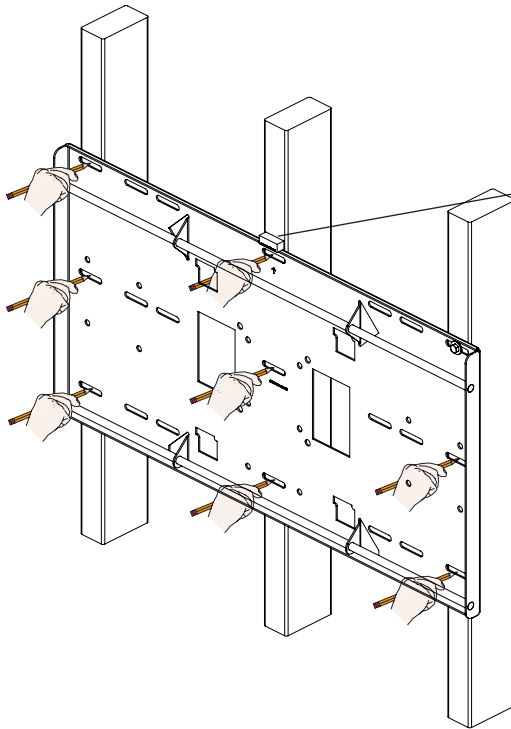
4



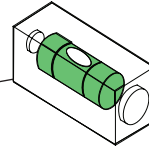
- 1) Place the wall plate against the wall and align it with the pilot hole.
- 2) Insert one (1) 5/16" x 3" lag bolt and one (1) 5/16" washer into the upper right pilot hole.
- 3) Use a socket wrench and a 1/2" socket to tighten the lag bolt.

 Do not over tighten the lag bolt.

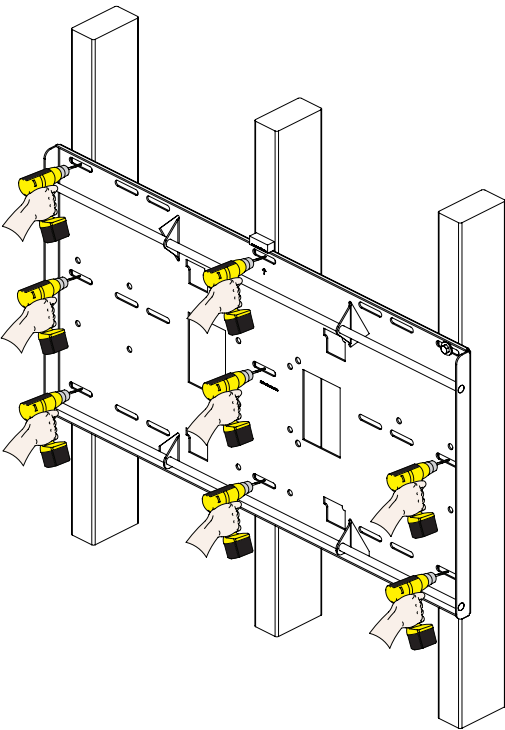
5



- 1) Level the wall plate.
- 2) Use a pencil to mark the remaining eight (8) mounting locations along the center of each wall stud.



6



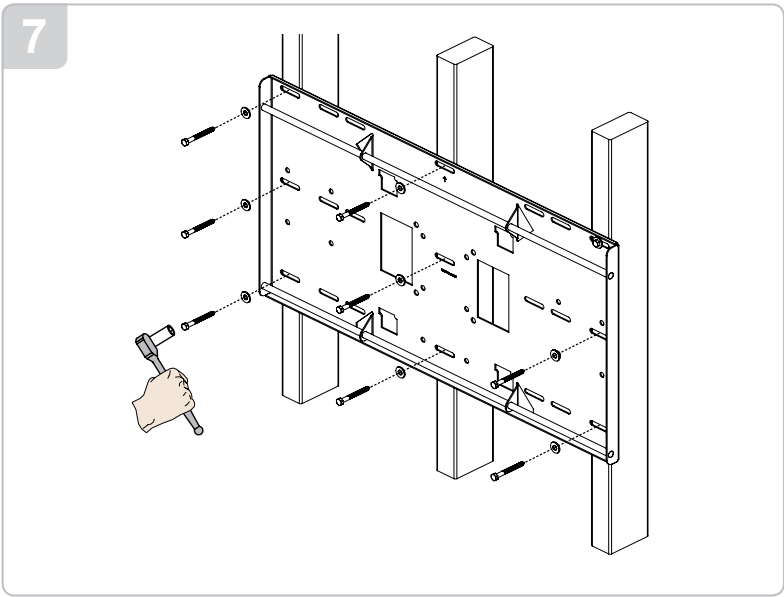
Drill a "pilot hole" in the center of each of the marks with a power drill and a 1/4" drill bit.



Two people are recommended for this step; one person to level the wall plate and another person to drill the pilot holes.



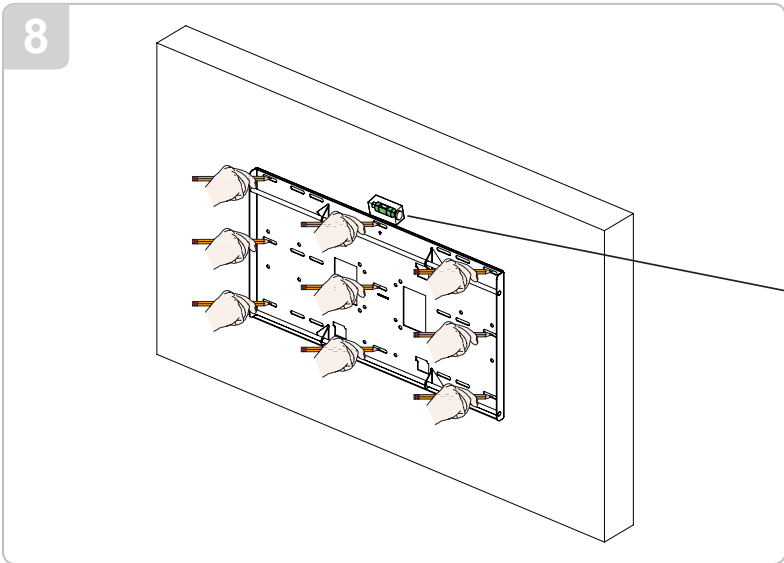
Only use 1/4" drill bit when drilling the pilot holes.



- 1) Insert one (1) 5/16" x 3" lag bolt and one (1) 5/16" washer into each pilot hole
- 2) Tighten all lag bolts using a socket wrench and 1/2" socket.



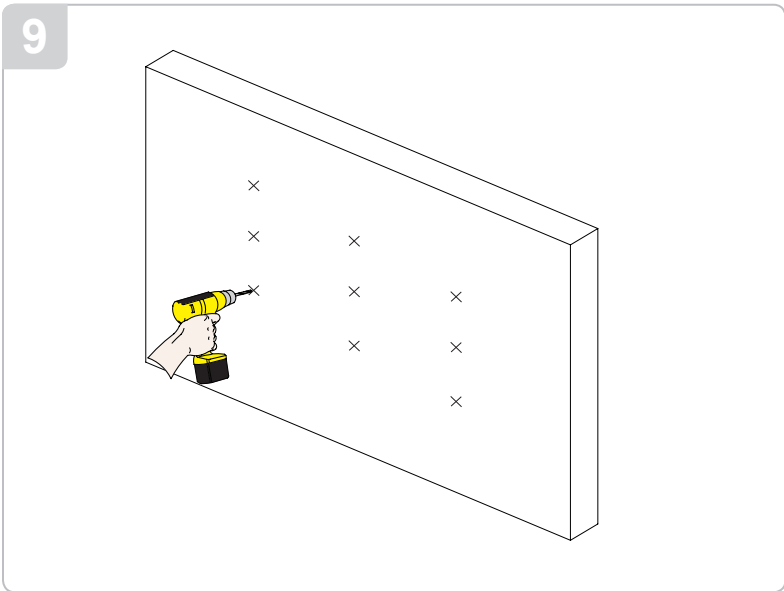
Do not over tighten the lag bolts when attaching the mount to the wall. Improper installation may result in personal injury or property damage.



CONCRETE WALL INSTALLATION



Two people are recommended for this step: one person to level the wall plate and another person to mark the mounting locations.

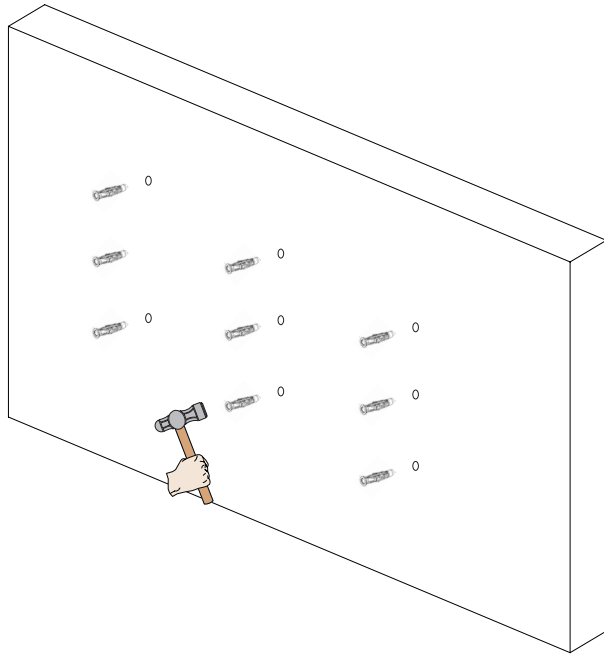


Drill nine (9) pilot holes of each mark using a drill and 3/8" masonry drill bit. Drill 3 inches deep.

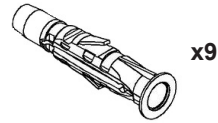


Only use a 3/8" masonry drill bit when drilling pilot holes.

10

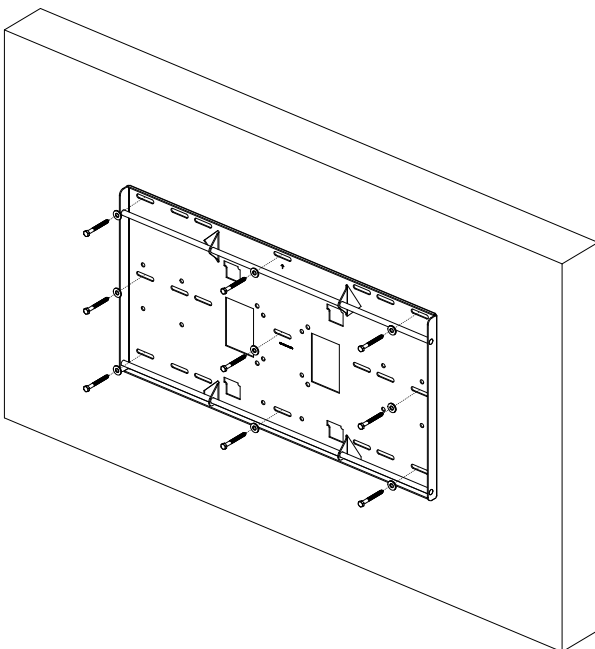


Insert a Finned Anchors into each hole. Lightly tap each Finned Anchors into place with a hammer.

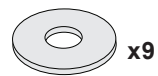


x9

11



Insert the lag bolts and washers into the Finned Anchors. Tighten all lag bolts using a socket wrench and 1/2" or 13mm socket.



x9

5/16" Flat Washer



x9

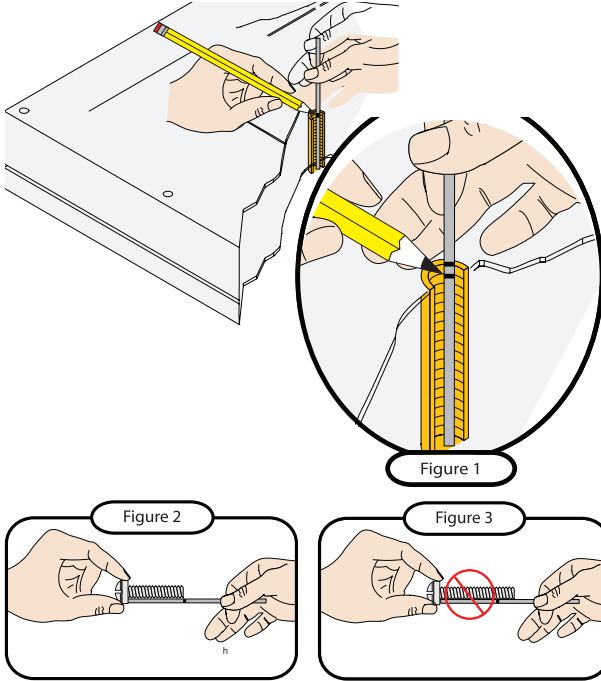
5/16" x 3" Lag Bolt




Do not over tighten the lag bolts.

Selecting the Mounting Hardware


12



- 1) Insert a small straw or toothpick into the threaded inserts found on the back of the flat panel.
- 2) Use a pencil to mark the depth of the threaded insert on the small straw or toothpick.
- 3) Mark the straw or toothpick 1/8" above the depth of the threaded insert, as shown in Figure 1.
- 4) Insert the small straw or toothpick into the remaining threaded inserts to compare and verify their depth using the straw or toothpick's 1/8" allowance mark.
- 5) Locate the correct diameter screw for the threaded insert.

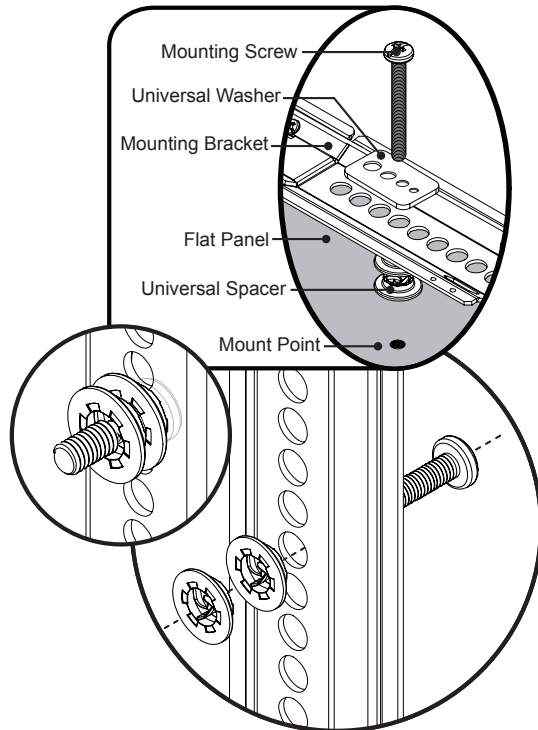
 If the screw you selected is longer than the 1/8" allowance mark on the small straw or toothpick, as shown in Figure 2 and Figure 3, do not use this screw. The screw length must not bypass the mark.

- 6) Test each size of the screws provided.


 The correct screws should thread easily into the mounting point and not pull out when tension is applied.


Universal Spacer Installation

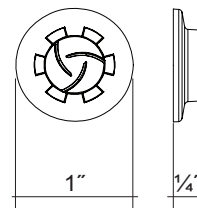
13



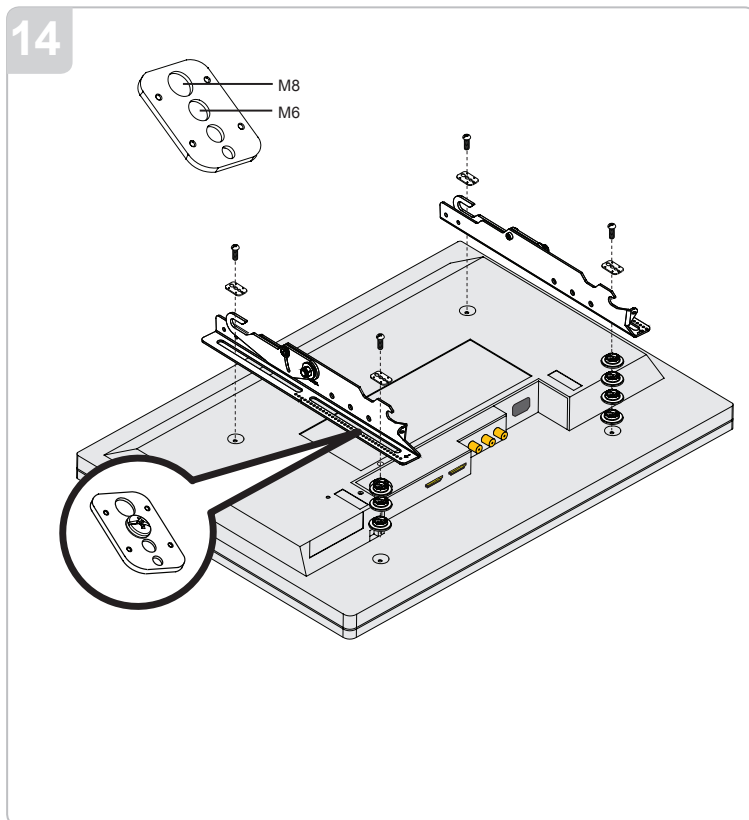
Universal Spacers allow you to attach the mounting bracket to flat-panels which have recessed or uneven mount points. Each Universal Spacer adds 1/4" to the distance between the mounting bracket and your flat-panel.

 The Universal Spacers must be stacked and oriented as shown.


 The Universal Spacers must only be installed between the mounting bracket and your flat-panel.




Universal Washer Installation



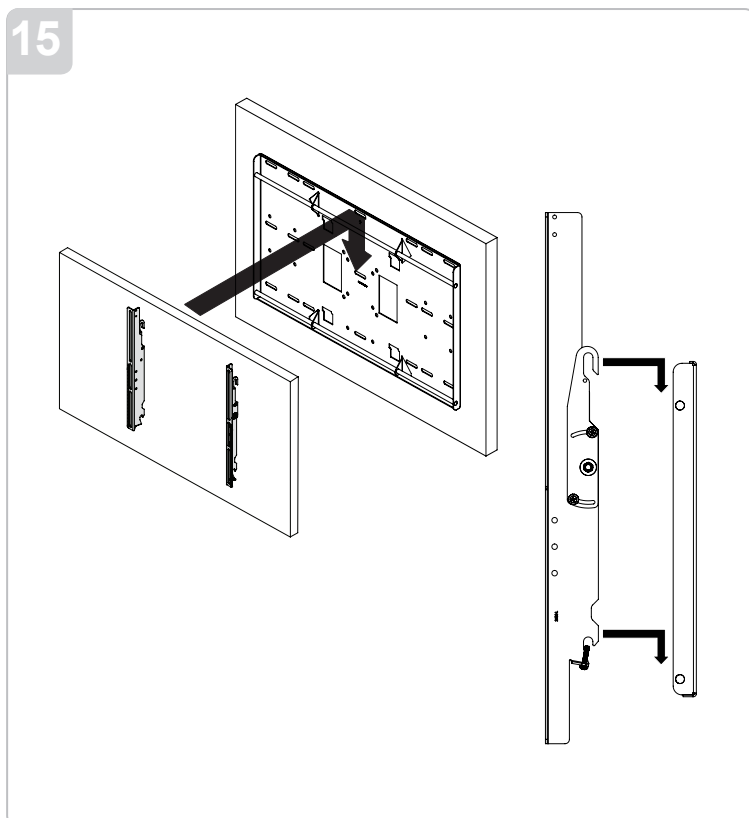
Universal Washers are designed to accommodate the various M6 and M8 hole sizes required by flat-panels.


 Do not place excessive pressure on the back of the flat-panel, as this may damage your flat-panel.


 The Universal Washer must be installed between the head of the mounting screw and the mounting bracket as shown.

- 1) Place your flat panel screen-side down on a soft, flat surface.
- 2) Identify the number and location of the thread inserts on the back of your flat panel.
- 3) Aligning the holes on each mounting bracket with the thread inserts on the back of your flat panel.
- 4) Secure each mounting bracket to your flat panel by inserting a minimum of two (2) screws per bracket.

Attaching the Flat Panel to the Mount



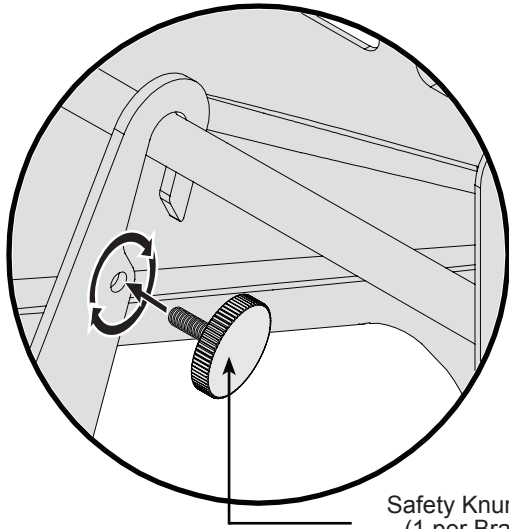
 This section requires two people.

 Do not release your flat panel until you are certain that top and bottom hooks of both mounting brackets are securely seated on the upper and lower mounting rails of the wall panel.


- 1) Raise the flat panel past the top and bottom mounting rails on the wall panel.
- 2) Slide the flat panel down slowly, keeping it close to the wall.
- 3) Engage the top and bottom mounting brackets to the rails of the wall plate.

Safety Knurl Knob Installation


16



Safety Knurl Knob
(1 per Bracket)

 If you chose not to install the safety knurl knobs and instead chose to use the Panelock™, skip this section and proceed to the Panelock™ Installation section below.

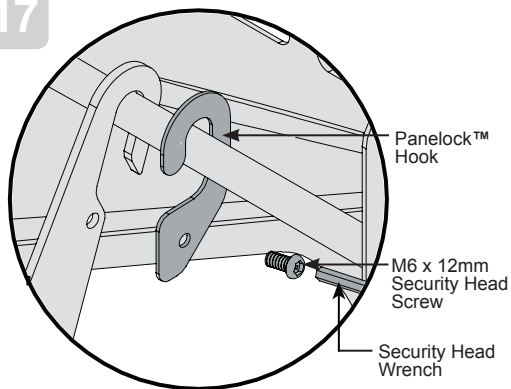
The Panelock™ is a theft deterrent device. It comes with security hardware that requires a special tool that is used to install and remove the security head screws.

 The safety knurl knobs keep the flat panel from being accidentally dislodged from the wall plate.

- 1) Fully extend the flat panel away from the wall.
- 2) Install and tighten a safety knurl knob at the top of one of the mounting brackets.
- 3) Repeat steps 1 and 2 for the other safety knurl knob.

Panelock™ Installation

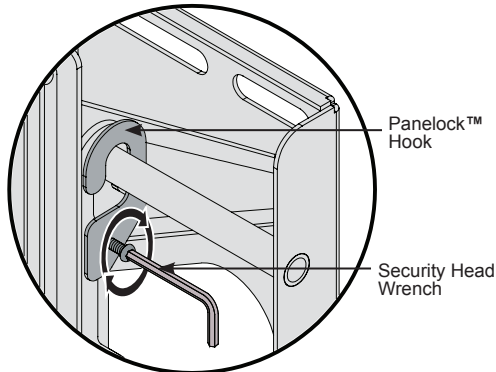
17



Panelock™
Hook


M6 x 12mm
Security Head
Screw


Security Head
Wrench




Panelock™
Hook

Security Head
Wrench

 If the safety knurl knobs were previously installed, they must be removed prior to installing the Panelock™ hardware.

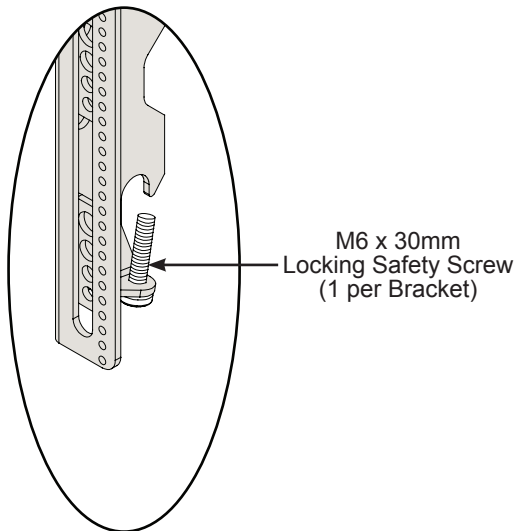
 Be sure that the Panelock™ is facing in the same direction as shown in the illustration to the right.

- 1) Slide the Panelock™ onto the top mounting rail, placing the Panelock™ to the outside edge of the flat panel bracket.
- 2) Insert and tighten one (1) M6 x 12mm screw to attach the Panelock™ to the flat panel bracket.

 Repeat steps 1 and 2 to attach the remaining Panelock™.

Locking Safety Screw Installation

18



The locking safety screws keep the flat panel from being accidentally dislodged from the wall mount.

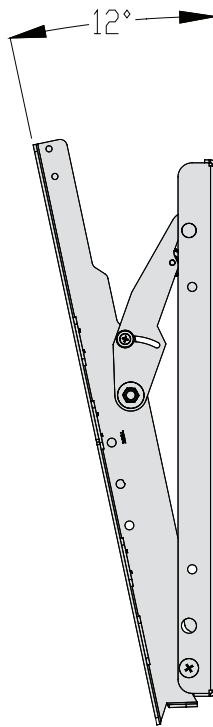
- 1) Thread an M6 x 30mm locking safety screw at the bottom of one of the mounting brackets.
- 2) Use a Phillips head screwdriver to tighten the locking safety screw.
- 3) Repeat steps 1 and 2 for the other locking safety screw.



Do not over tighten the locking safety screws.

Tilting Adjustment

19



Adjusting the Flat Panel Friction Tilt Angle

- 1) Place one hand at the center top edge of the flat panel.
- 2) Place the other hand on the center bottom edge of the flat panel.
- 3) Using the upper hand, gently pull the top of the flat panel towards you while the lower hand gently pushes the bottom of the flat panel away from you.

Adjusting the Flat Panel to the Original Position

- 1) Place one hand at the center top edge of the flat panel.
- 2) Place the other hand on the center bottom edge of the flat panel.
- 3) Using the upper hand, gently push the top of the flat panel towards the wall while the lower hand gently pulls the bottom of the flat panel away from the wall.