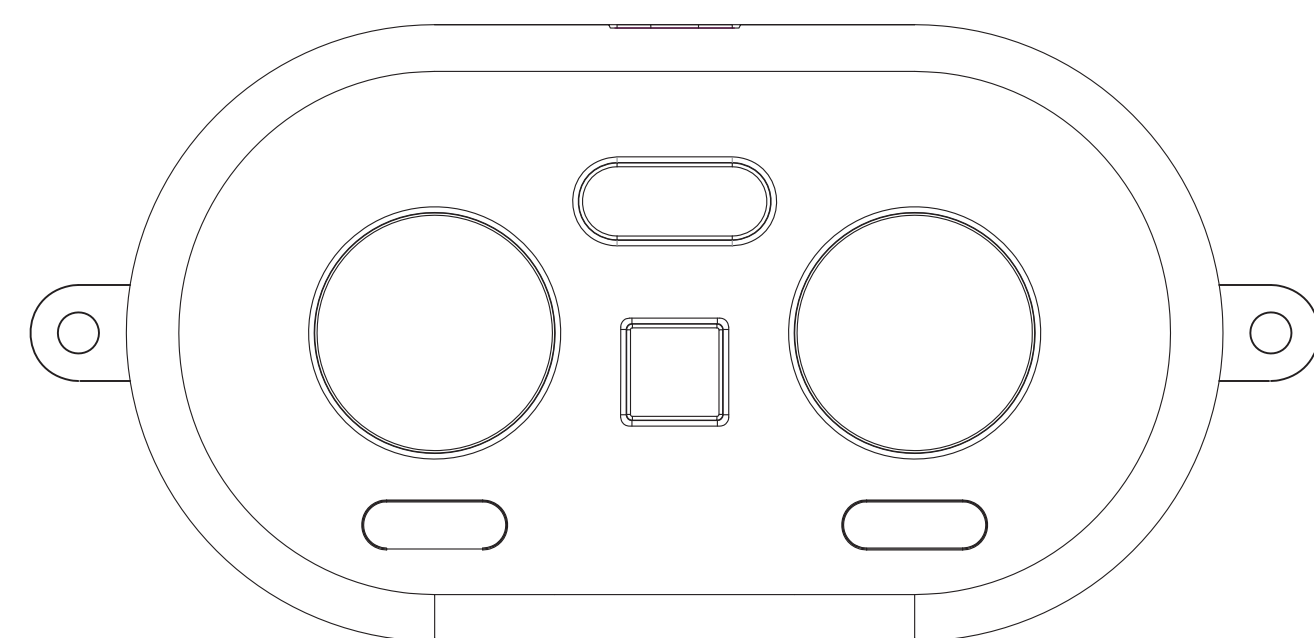


PresenterPOD with Mounting Ears



PresenterPOD Labels

PC	CAMERA 1	VIDEO 1	VIDEO WHITEBOARD	MEDIA 1
PC	CAMERA 1	VIDEO 1	VIDEO WHITEBOARD	MEDIA 2
PC	CAMERA 2	VIDEO 2	VIDEO WHITEBOARD	MEDIA 2
DOC CAM	CAMERA 2	VIDEO 2	DVD	
DOC CAM	CAMERA 3	VIDEO 2	DVD	
DOC CAM	CAMERA 3	VIDEO 2	MEDIA 1	

vaddio		GENERAL NOTES: DIMENSIONS ARE IN INCHES (IN) UNLESS OTHERWISE NOTED. DO NOT DISTRIBUTE WITHOUT EXPRESS WRITTEN PERMISSION OF VADDIO. DUE TO OUR CONTINUING EFFORTS TO ENHANCE OUR PRODUCTS, WE RESERVE THE RIGHT TO CHANGE SPECIFICATIONS WITHOUT PRIOR NOTICE OR OBLIGATION.		
PresenterPOD System P/N: 999-1111-000				
PresenterPOD and PresenterPOD Interface				
DRAWN	CHECKED	APPROVED	DATE	
RAR		RAR	09/22/11	
THIS DRAWING, INCLUDING ALL SUBJECT MATTERS INDICATED THEREON OR DERIVED THEREFROM, COMPRISES PROPRIETARY INFORMATION AND IS THE EXPRESS PROPERTY OF VADDIO. All Rights Reserved - Copyright 2011.				
MATERIALS	SCALE	DRAWING No.	REV	
Various Plastic and Metal	1:1	1111-000	A	
COMMENTS	SIZE			
Surface Polarizing Damper (SPD) - NOT INCLUDED	D			