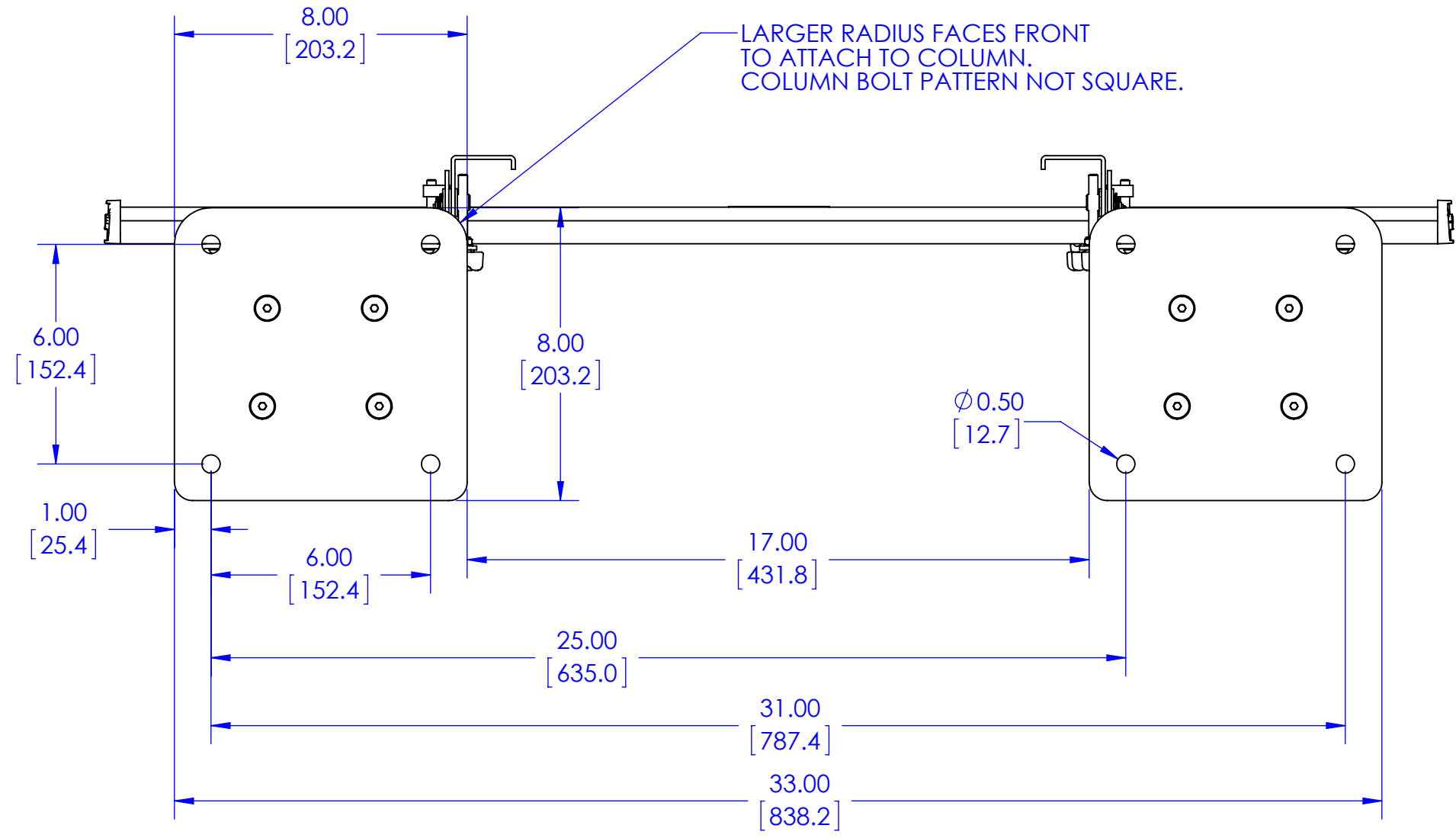


MAX WEIGHT:  
125 LBS PER DISPLAY  
250 LBS TOTAL CAPACITY

THE INFORMATION AND DESIGNS CONTAINED IN THIS DRAWING ARE CONFIDENTIAL AND THE PROPRIETARY PROPERTY OF MILESTONE AV TECHNOLOGIES NEITHER THIS DESIGN NOR ANY INFORMATION CONTAINED IN THIS DRAWING MAY BE REPRODUCED OR DISCLOSED TO OTHERS WITHOUT THE EXPRESS WRITTEN CONSENT OF MILESTONE AV TECHNOLOGIES.

CAD GENERATED DRAWING, DO NOT MANUALLY UPDATE.			<b>CHIEF</b>		6436 CITY WEST PKWY EDEN PRAIRIE MN, 55344 PHONE: 866-977-3901 FAX: 877-894-6918	
DRAWN BY	PLL	11/21/2014	DESCRIPTION			
ENG APPROVAL			LBM1X2U			
MFG APPROVAL			MODEL NO.			
QA APPROVAL			LBM1X2U			
SHEET 1 OF 2		SCALE	SIZE	DWG. NO.	REV.	
		1:16	B	TECH-000659	00	

# BOTTOM VIEW FOR BOLT DOWN INSTALATION



**THE INFORMATION AND DESIGNS CONTAINED IN THIS DRAWING ARE CONFIDENTIAL AND THE PROPRIETARY PROPERTY OF MILESTONE AV TECHNOLOGIES NEITHER THIS DESIGN NOR ANY INFORMATION CONTAINED IN THIS DRAWING MAY BE REPRODUCED OR DISCLOSED TO OTHERS WITHOUT THE EXPRESS WRITTEN CONSENT OF MILESTONE AV TECHNOLOGIES.**

CAD GENERATED DRAWING, DO NOT MANUALLY UPDATE.			6436 CITY WEST PKWY EDEN PRAIRIE MN, 55344 PHONE: 866-977-3901 FAX: 877-894-6918		
DRAWN BY	PLL	11/21/2014			
ENG APPROVAL			DESCRIPTION		
MFG APPROVAL			<b>LBM1X2U</b>		
QA APPROVAL			MODEL NO.		
			<b>LBM1X2U</b>		
SHEET 2 OF 2		SCALE	SIZE	DWG. NO.	REV.
		<b>1:16</b>	<b>B</b>	<b>TECH-000659</b>	<b>00</b>