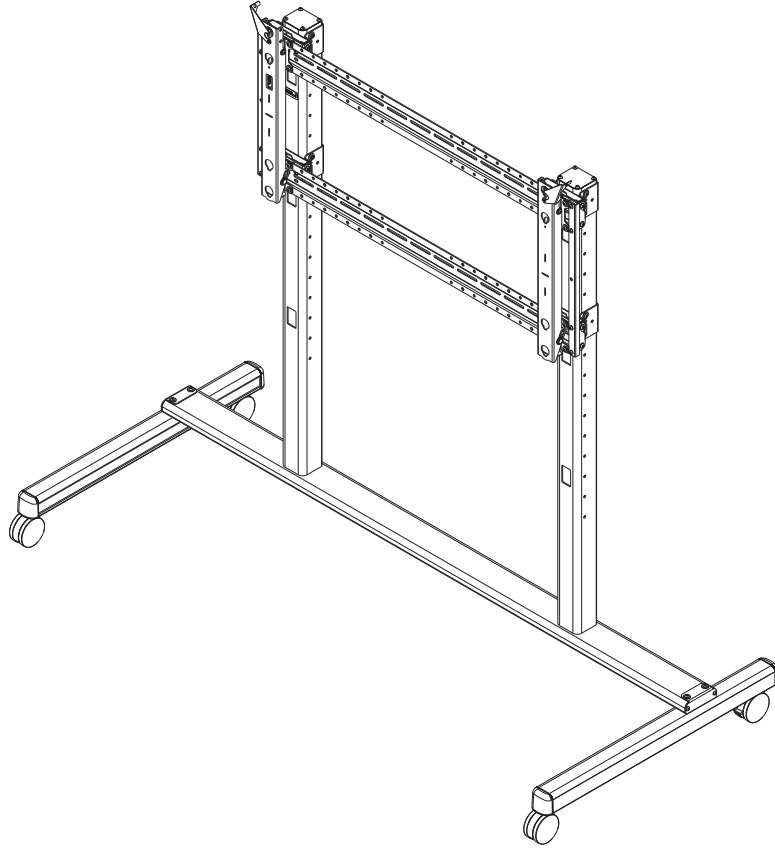

INSTALLATION INSTRUCTIONS



Extra Large Cart

DISCLAIMER

Milestone AV Technologies and its affiliated corporations and subsidiaries (collectively "Milestone"), intend to make this manual accurate and complete. However, Milestone makes no claim that the information contained herein covers all details, conditions or variations, nor does it provide for every possible contingency in connection with the installation or use of this product. The information contained in this document is subject to change without notice or obligation of any kind. Milestone makes no representation of warranty, expressed or implied, regarding the information contained herein. Milestone assumes no responsibility for accuracy, completeness or sufficiency of the information contained in this document.

Chief® is a registered trademark of Milestone AV Technologies. All rights reserved.

DEFINITIONS

MOUNTING SYSTEM: A MOUNTING SYSTEM is the primary Chief product to which an accessory and/or component is attached.

ACCESSORY: AN ACCESSORY is the secondary Chief product which is attached to a primary Chief product, and may have a component attached or setting on it.

COMPONENT: A COMPONENT is an audiovisual item designed to be attached or resting on an accessory or mounting system such as a video camera, CPU, screen, display, projector, etc.



WARNING: A WARNING alerts you to the possibility of serious injury or death if you do not follow the instructions.



CAUTION: A CAUTION alerts you to the possibility of damage or destruction of equipment if you do not follow the corresponding instructions.



IMPORTANT SAFETY INSTRUCTIONS



WARNING: Failure to read, thoroughly understand, and follow all instructions can result in serious personal injury, damage to equipment, or voiding of factory warranty! It is the installer's responsibility to make sure all mounting systems / accessories are properly assembled and installed using the instructions provided.



WARNING: Failure to provide adequate structural strength for this mounting system can result in serious personal injury or damage to equipment! It is the installer's responsibility to make sure the structure to which this mounting system is attached can support five times the combined weight of all equipment. Reinforce the structure as required before installing the mounting system.



WARNING: Exceeding the weight capacity can result in serious personal injury or damage to equipment! It is the installer's responsibility to make sure the combined weight of all components attached to the XVM1U does not exceed 310 lbs (140.6 kg). Use with heavier televisions may result in instability causing tip over resulting in death or serious injury! See Figure below for reference.



WARNING: Use this mounting system only for its intended use as described in these instructions. Do not use attachments not recommended by the manufacturer.



WARNING: RISK OF INJURY TO PERSONS! Do not place video equipment such as televisions or computer monitors on cart legs.



WARNING: Never operate this mounting system if it is damaged. Return the mounting system to a service center for examination and repair.



WARNING: Do not use this mounting system outdoors.



WARNING: RISK OF SERIOUS INJURY OR DEATH! Placing a remote control or toy on the cart may encourage a child to climb onto the cart causing the cart to tip over onto the child. DO NOT place remote controls or toys on the cart!



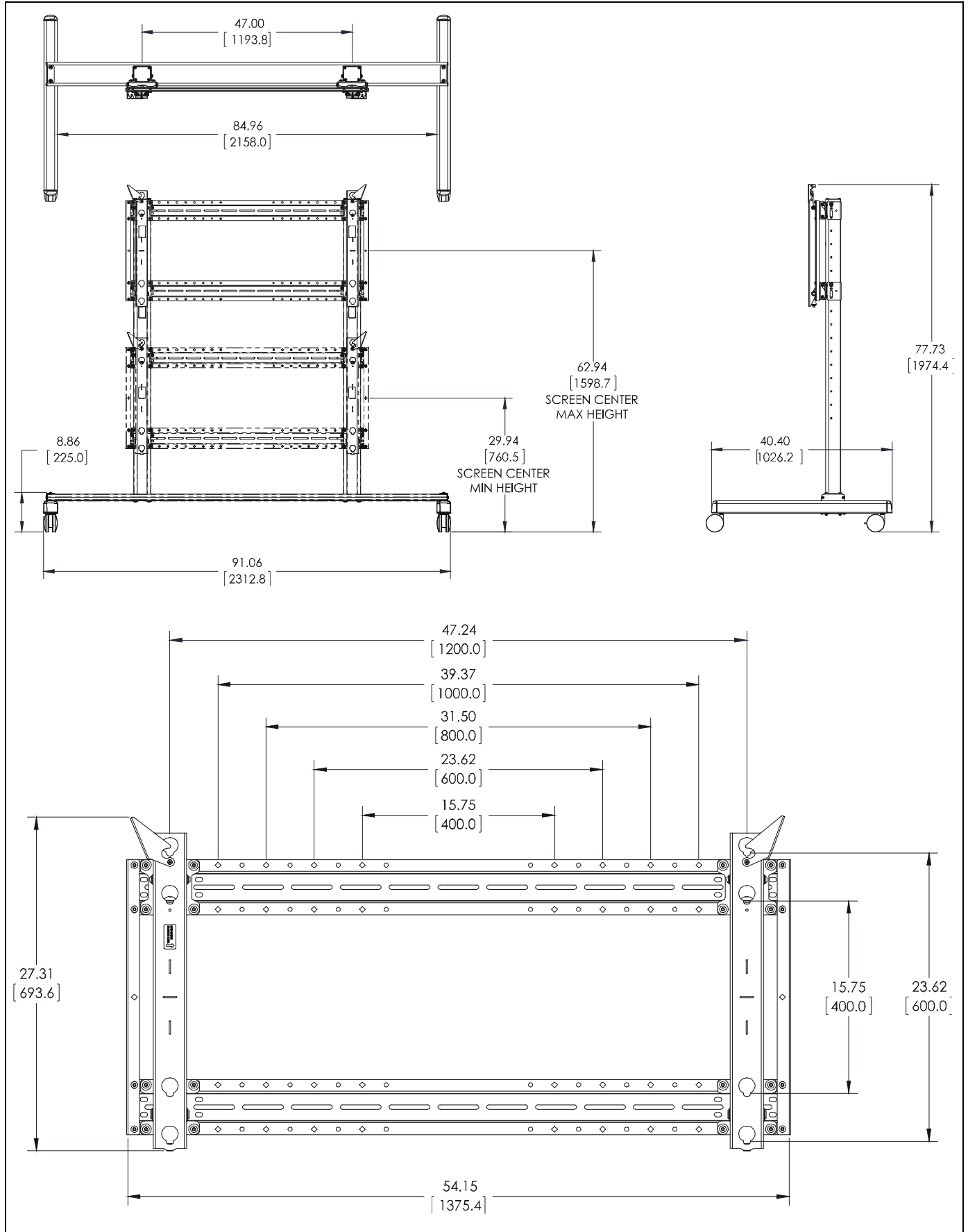
WARNING: RISK OF SERIOUS INJURY OR DEATH! Relocating audio and/or video equipment to the cart may result in the cart collapsing or overturning onto a child. DO NOT relocate audio and/or video equipment to the cart!

NOTE: The XVM1U cart has no user serviceable parts.

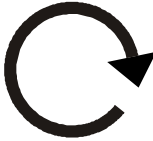




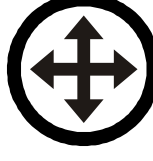






NOTE: The XVM1U cart can support screen sizes up to a maximum of 100" wide.

--SAVE THESE INSTRUCTIONS--

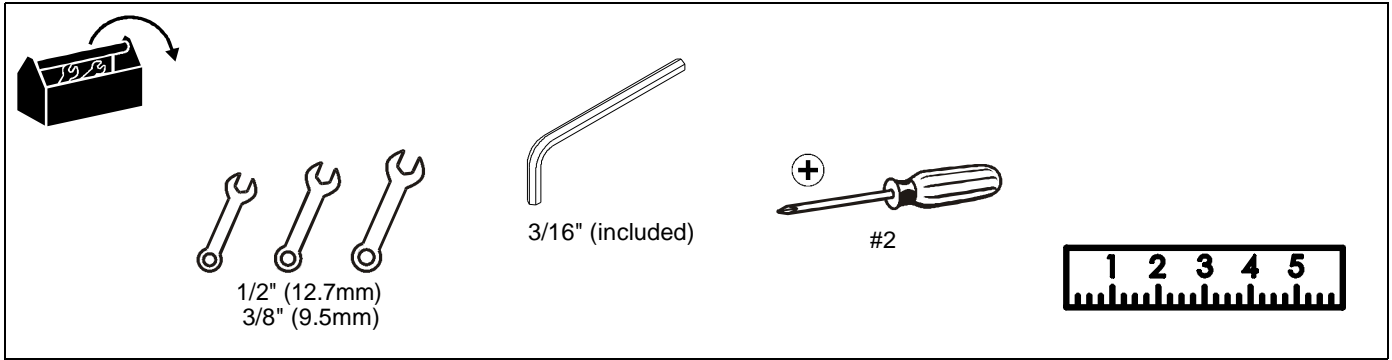
DIMENSIONS



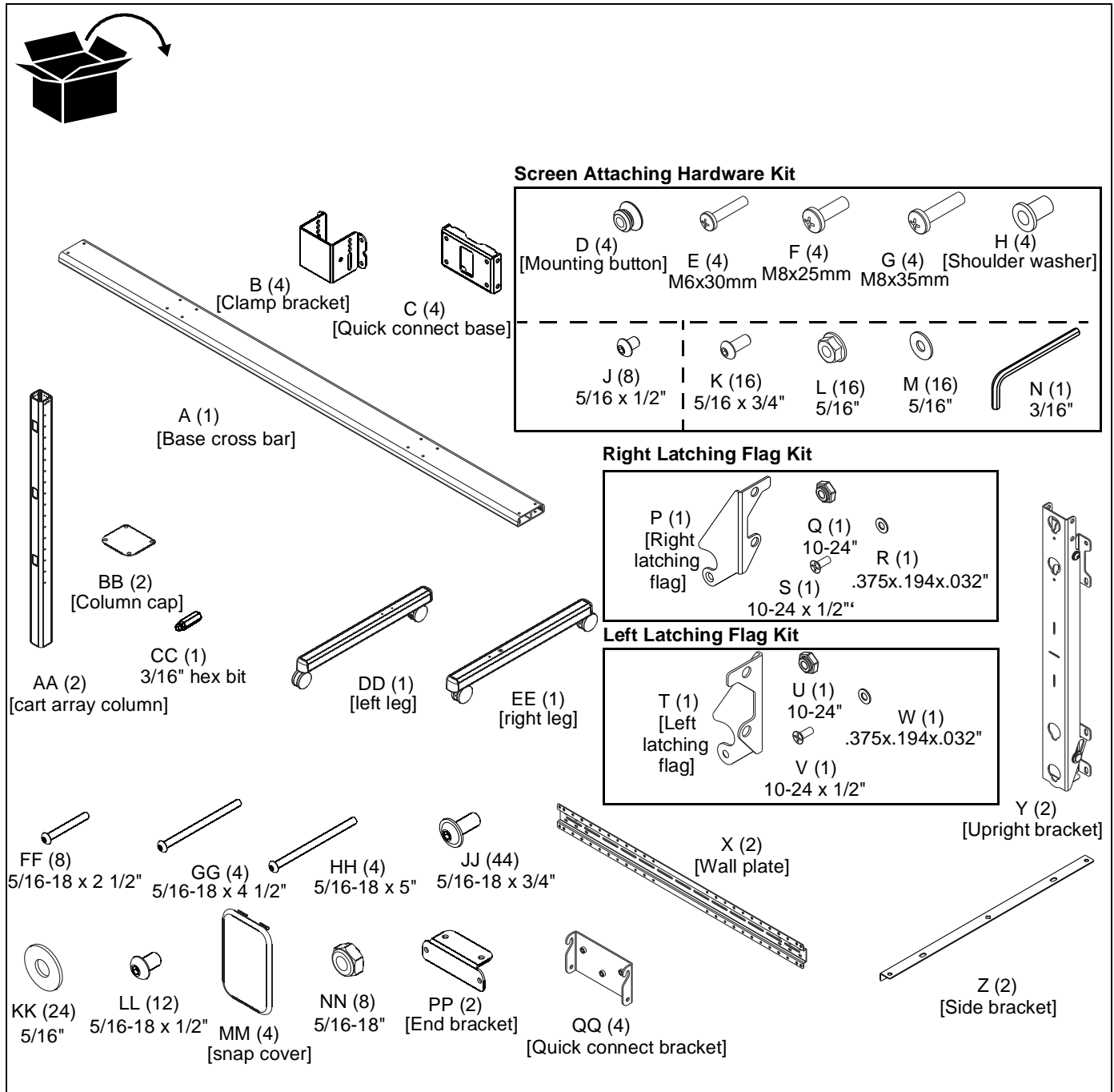
LEGEND

	Tighten Fastener Apretar elemento de fijación Befestigungsteil festziehen Apertar fixador Serrare il fissaggio Bevestiging vastdraaien Serrez les fixations		Pencil Mark Marcar con lápiz Stiftmarkierung Marcar com lápis Segno a matita Potloodmerkteken Marquage au crayon
	Loosen Fastener Aflojar elemento de fijación Befestigungsteil lösen Desapertar fixador Allentare il fissaggio Bevestiging losdraaien Desserrez les fixations		Drill Hole Perforar Bohrloch Fazer furo Praticare un foro Gat boren Percez un trou
	Phillips Screwdriver Destornillador Phillips Kreuzschlitzschraubendreher Chave de fendas Phillips Cacciavite a stella Kruiskopschroevendraaier Tournevis à pointe cruciforme		Adjust Ajustar Einstellen Ajustar Regolare Afstellen Ajuster
	Open-Ended Wrench Llave de boca Gabelschlüssel Chave de bocas Chiave a punte aperte Steeksleutel Clé à fourche		Remove Quitar Entfernen Remover Rimuovere Verwijderen Retirez
	By Hand A mano Von Hand Com a mão A mano Met de hand À la main		Optional Opcional Optional Opcional Opzionale Optie En option
	Hex-Head Wrench Llave de cabeza hexagonal Sechskantschlüssel Chave de cabeça sextavada Chiave esagonale Zeskantsleutel Clé à tête hexagonale		Security Wrench Llave de seguridad Sicherheitsschlüssel Chave de segurança Chiave di sicurezza Veiligheidsleutel Clé de sécurité

TOOLS REQUIRED FOR INSTALLATION



PARTS



Assembly And Installation

Cart Assembly

1. Lay two cart array columns (AA) down on a flat surface.
2. Use eight 5/16-18 x 2 1/2" button head cap screws (FF) and eight 5/16" washers (KK) to connect cross bar (A) to columns (AA). (See Figure 2)
3. Use four 5/16-18 x 1/2" button head cap screws (LL) to secure two end brackets (PP) to cross bar (A). (See Figure 1)
4. Use four 5/16-18 x 5" button head cap screws (HH), eight 5/16" washers (KK) and four 5/16-18" lock nuts (NN) to secure right and left legs (DD and EE) to cross bar (A). (See Figure 2)

NOTE: To ensure right and left legs (DD and EE) are assembled on the appropriate side, make sure the smooth side of the legs are to the outside when assembling to cross bar (A).

5. Stand cart up on its wheels.

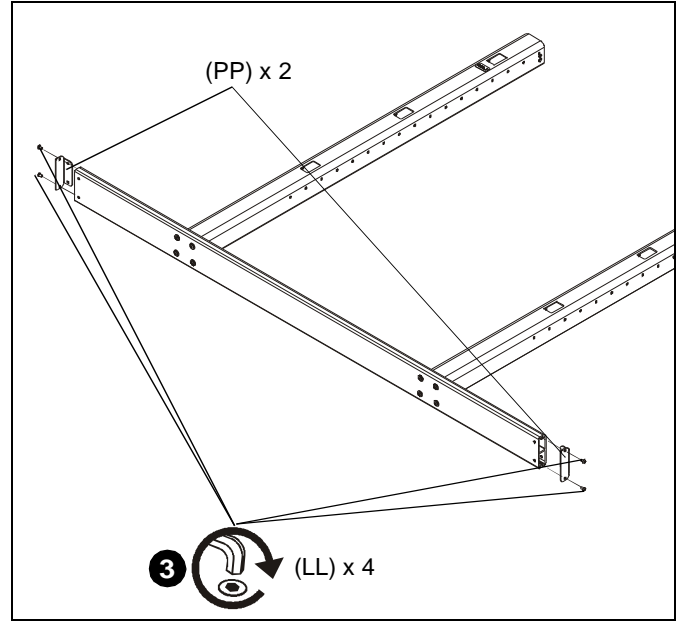


Figure 1

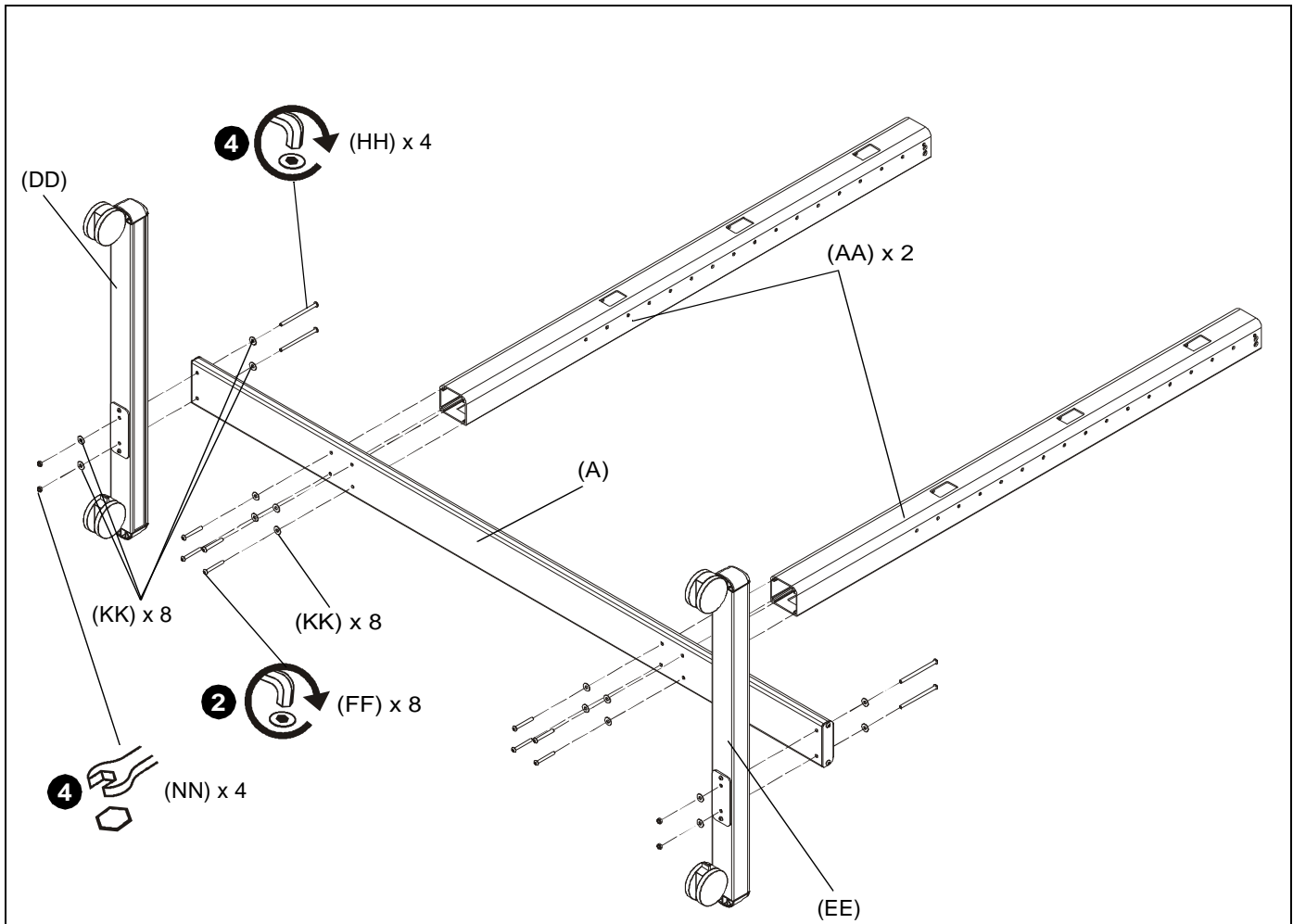


Figure 2

Mount Installation

1. Using display dimensions, determine where the center of the display will be on the cart.
2. Place the top clamp brackets (B) on columns (AA) 9" above the center of the display that will be on the cart with the diamond on the clamp brackets (B). (See Figure 3)
3. Use 5/16-18 x 4 1/2" button head cap screw (GG), two 5/16" washers (KK) and 5/16-18" lock nut (NN) to secure each clamp bracket (B) to column (AA). (See Figure 3)
4. Place bottom clamp brackets (B) on columns (AA) 18" below the first pair of installed brackets. There must be 18" between the diamonds on the side of the brackets. (See Figure 3)
5. Use 5/16-18 x 4 1/2" button head cap screw (GG), two 5/16" washers (KK) and 5/16-18" lock nut (NN) to secure each clamp bracket (B) to column. (See Figure 3)

6. Use four 5/16-18 x 3/4" button head flange screws (JJ) to secure one quick connect base (C) to each installed clamp bracket (B). (See Figure 5)

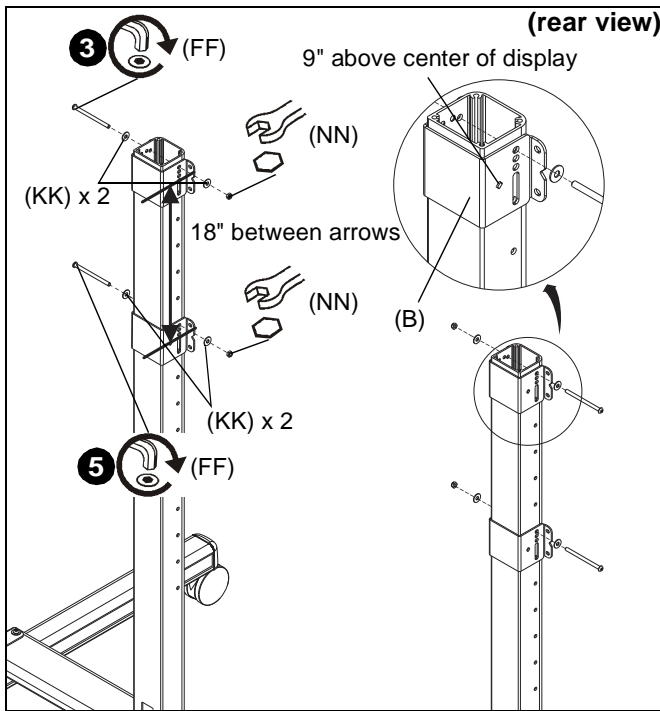


Figure 3

NOTE: Clamp brackets (B) may be flipped in order to use long slots for installation if necessary. (See Figure 4)

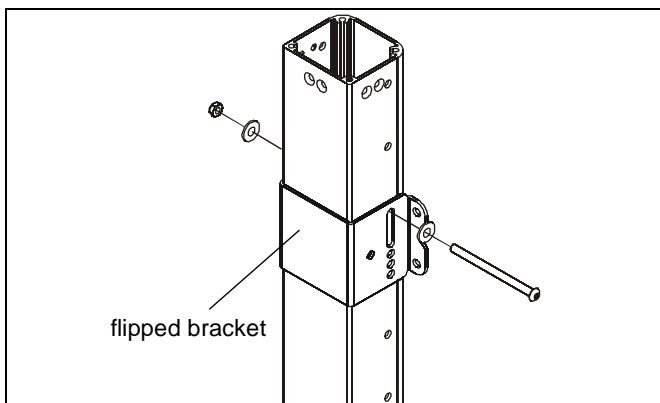


Figure 4

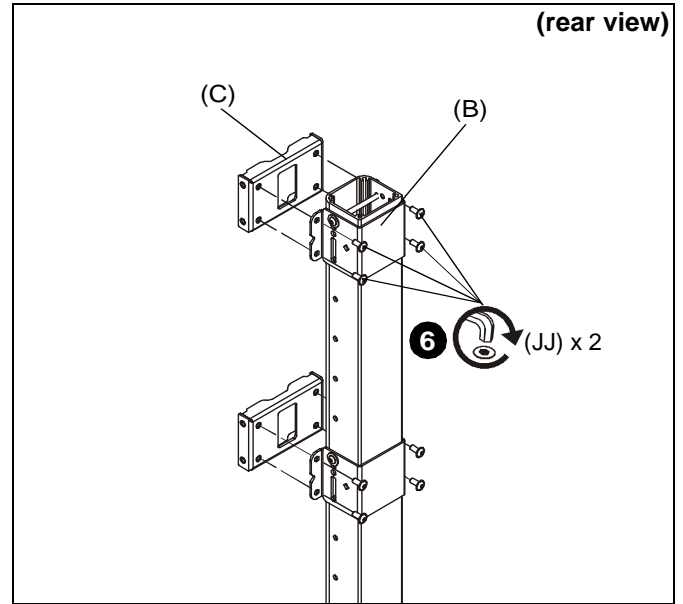


Figure 5

7. Use three 5/16-18 x 3/4" button head flange screws (JJ) to secure each of the four quick connect brackets (QQ) to wall plates (X). Must use exact holes as shown. (See Figure 6)

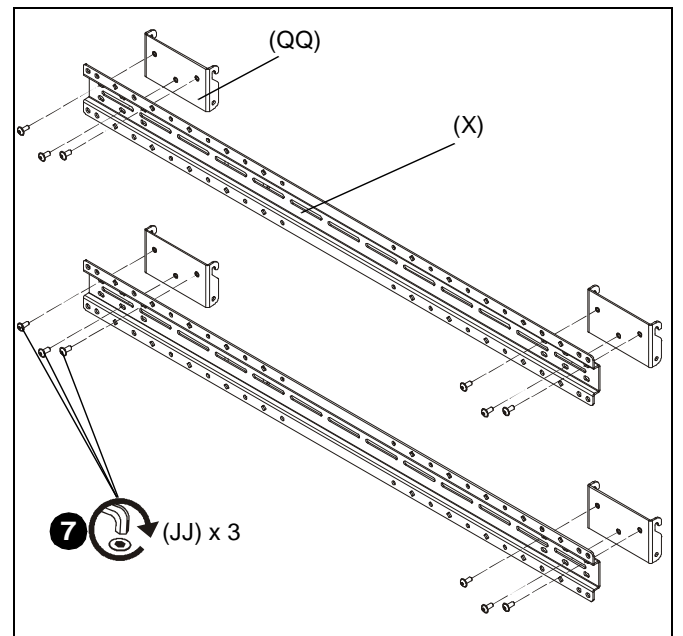


Figure 6

- Loosely install two 5/16-18 x 3/4" button head flange screws (JJ) into the top holes on each quick connect base (C). (See Figure 7)

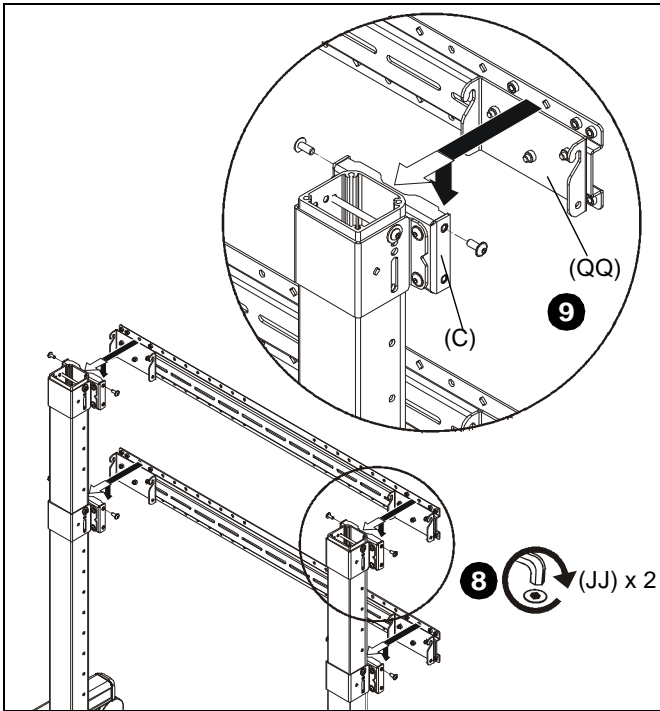


Figure 7

- Hang quick connect brackets (QQ) onto screws installed in previous step. (See Figure 7)
- Install two 5/16-18 x 3/4" button head flange screws (JJ) into the lower holes on each quick connect bracket (QQ) and quick connect base (C) to secure wall plates (X). (See Figure 8)
- Tighten all 5/16-18 x 3/4" button head flange screws (JJ).

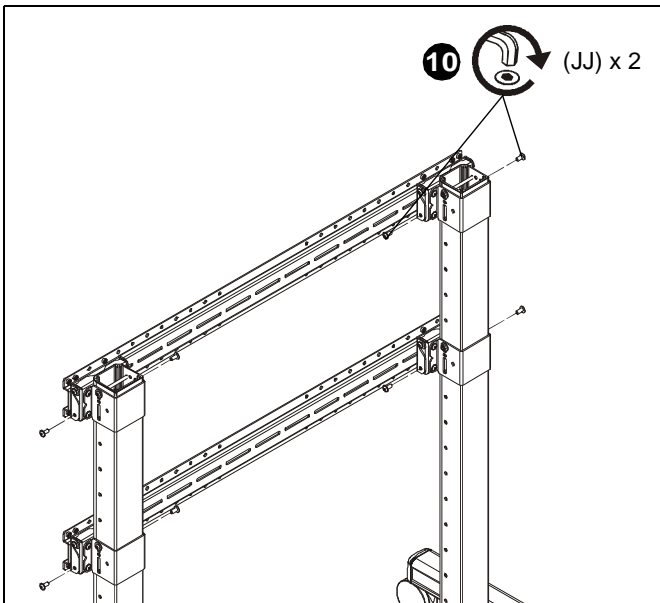


Figure 8

- Use four 5/16-18 x 1/2" button head cap screws (LL) to secure each side bracket (Z) to wall plates (X). (See Figure 9)

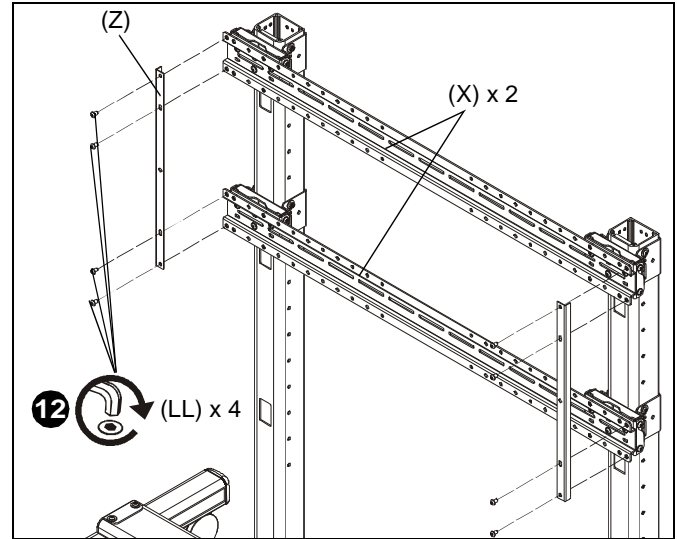


Figure 9

NOTE: Determine if vertical mounting pattern on screen is 400mm or 600mm.

- 400mm** - Attach latching flag at **lower** mounting hole.
- 600mm** - Attach latching flag at **upper** mounting hole.

- Attach right latching flag (P) to upright bracket (Y) using one 10-24 x 1/2" Phillips undercut screw (S), one .375x.194x.032" spacer (R), and one 10-24 locknut (Q). (See Figure 10)
- Attach left latching flag (T) to upright bracket (Y) using one 10-24 x 1/2" Phillips undercut screw (V), one .375x.194x.032" spacer (W), and one 10-24 locknut (U). (See Figure 10)

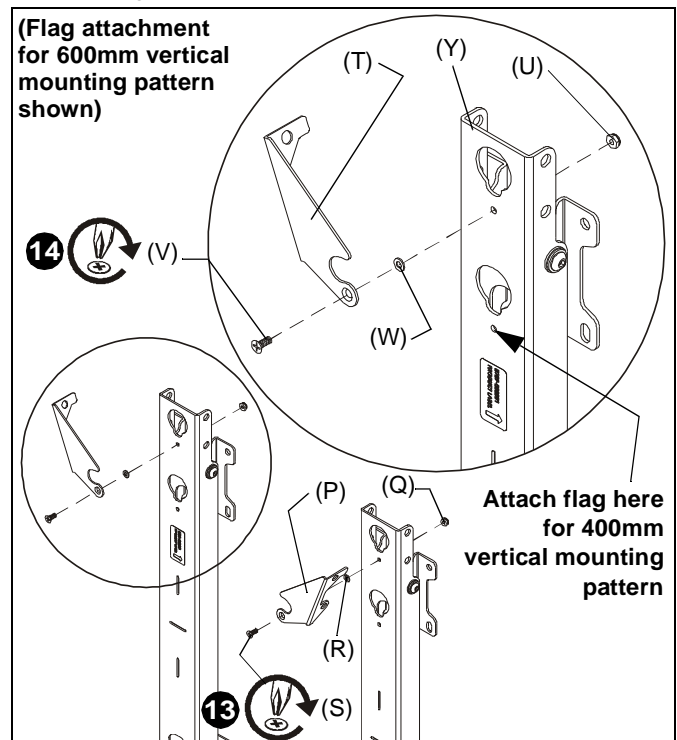


Figure 10

15. Reference **Dimensions** drawings for locating of upright brackets dependent on screen size.

IMPORTANT ! : Upright brackets must be placed such that screen is centered on wall plate assembly.

16. Attach two upright brackets (Y) to wall plate assembly using eight 5/16 x 3/4" button head screws (K) and 5/16" washers (M) per upright bracket. (See Figure 11)

IMPORTANT ! : If attaching upright brackets to a screen with a mounting pattern **OTHER THAN** 1200mm wide x 600mm tall, also use the 5/16" lock nut (L) in addition to the button head screws (K) and washers (M).

17. Use four 5/16-18 x 1/2" button head cap screws (LL) to secure each column cap (BB) to each column (AA). (See Figure 12)

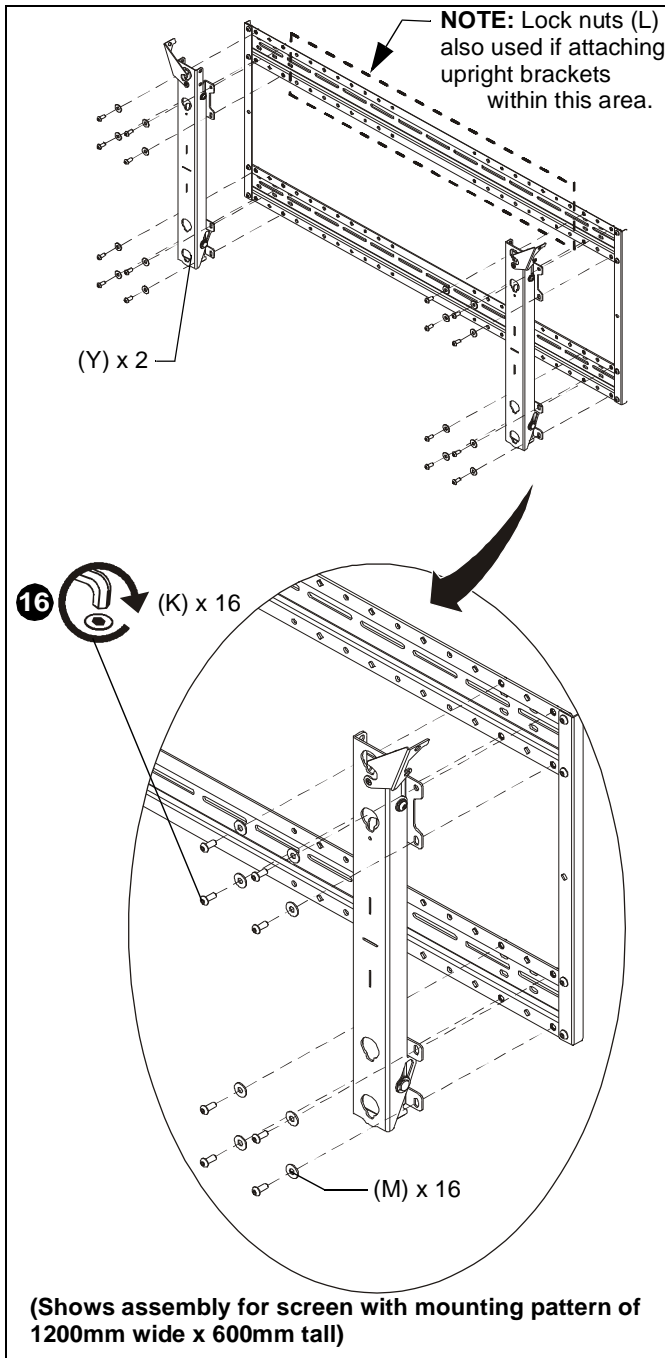


Figure 11

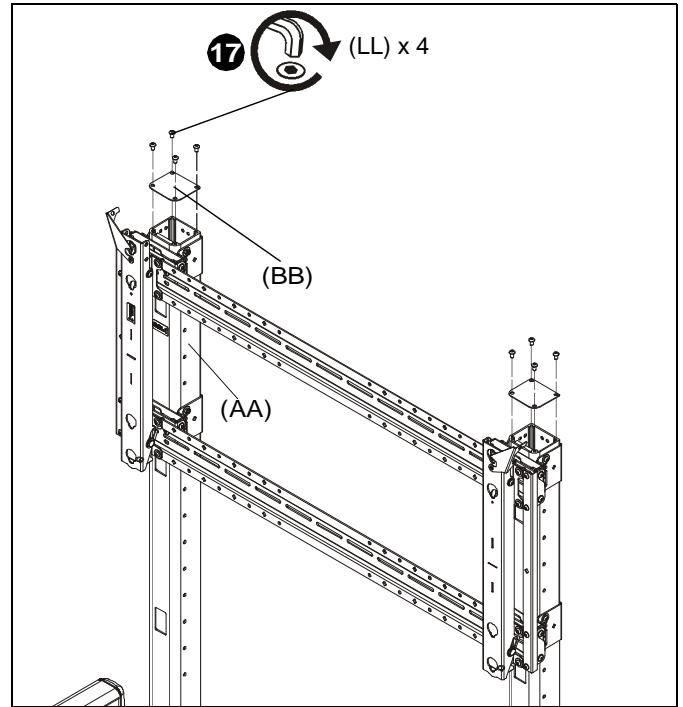


Figure 12

Adding Screen to Mount

⚠ WARNING: IMPROPER INSTALLATION CAN LEAD TO SCREEN FALLING CAUSING SERIOUS PERSONAL INJURY OR DAMAGE TO EQUIPMENT! Using screws of improper size may damage your screen. Properly sized screws will easily and completely thread into screen mounting holes.

1. Select correct button head screws [M6 x 30mm (E), M8 x 25mm (F) or M8 x 35mm (G)] and attach mounting buttons (D) to back of screen. (See Figure 13)

IMPORTANT ! : If using M6 button head screws (E), also use the shoulder washers (H). (See Figure 13)

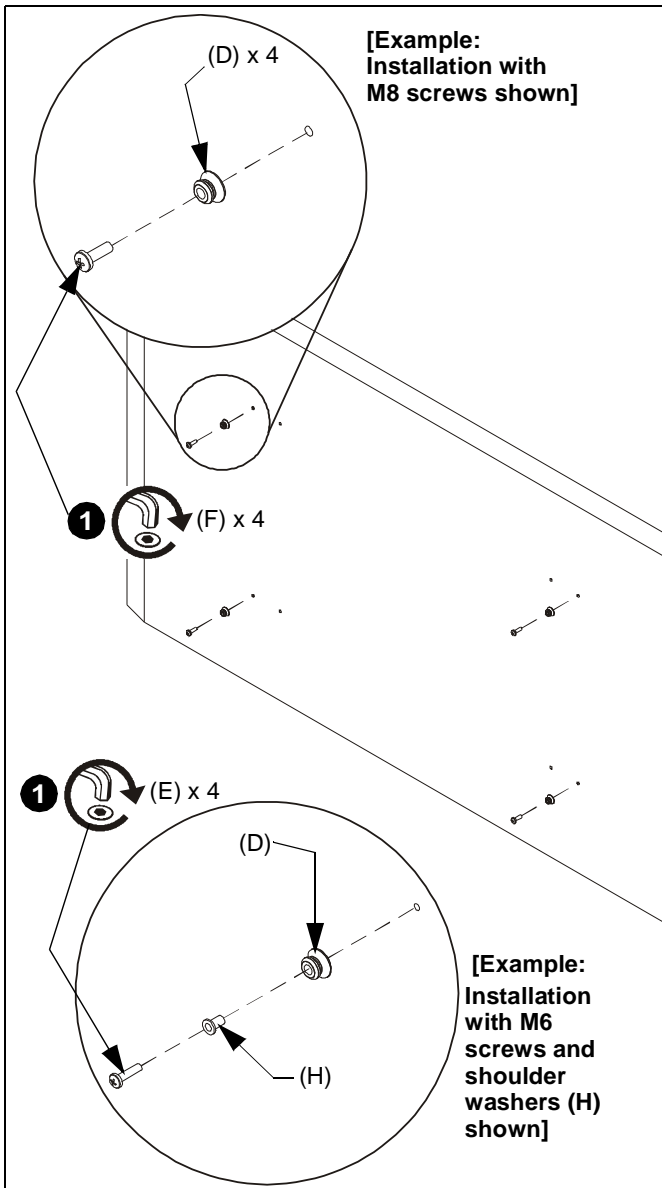


Figure 13

2. Move latching flags on mount to the OPEN position. (See Figure 14)

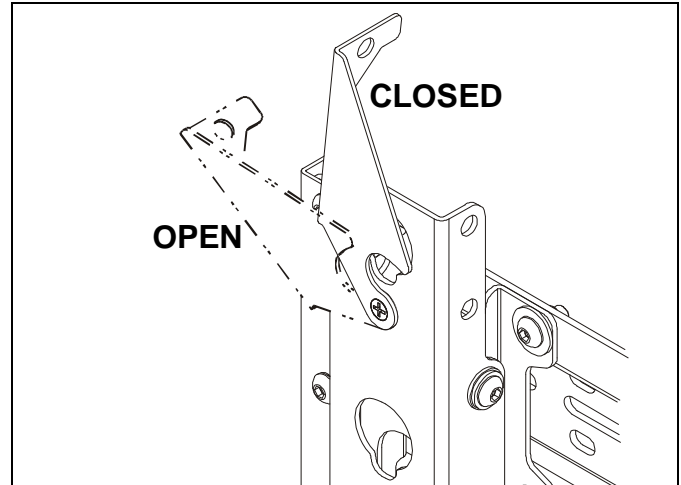


Figure 14

3. Lift screen following lifting instructions provided by screen manufacturer.
4. Align mounting buttons on screen with teardrop mounting holes in mount. (See Figure 15)

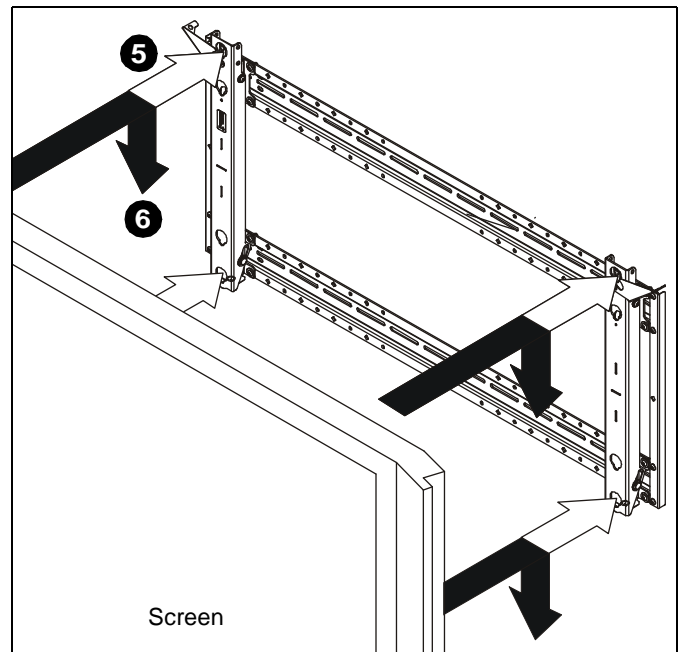


Figure 15

5. Move screen forward until recessed area of mounting buttons is positioned over lower area of teardrop mounting holes. (See Figure 15)
6. Lower screen until recess area of mounting buttons is seated in lower area of teardrop mounting holes. (See Figure 15)
7. Move locking flags to CLOSED position and lock. (See Figure 14)
8. Route wires and cables to screen.

Cable Management

1. Route cables from display through nearest holes on front of columns and out through back cable management hole. (See Figure 16)

NOTE: For best access, route display cables through columns prior to display installation. See Display Installation section for details.

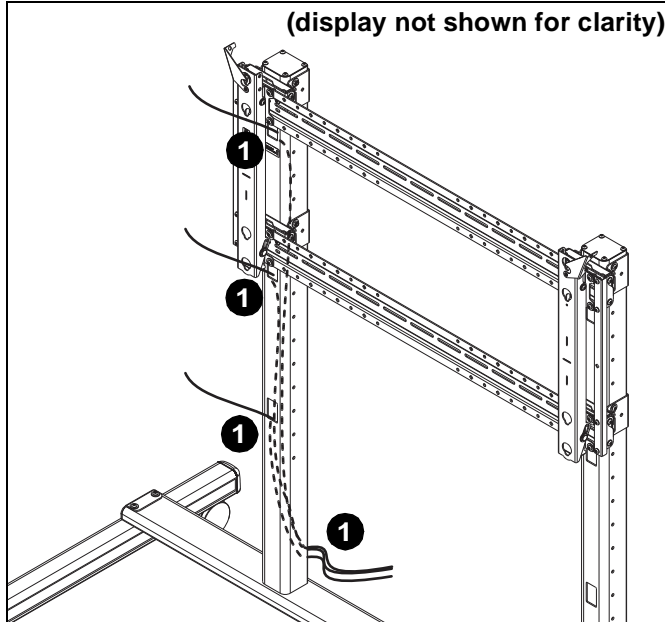


Figure 16

Additional Cable Management Options

2. Cables may be routed through tops of columns and out through the back cable management hole. (See Figure 17)

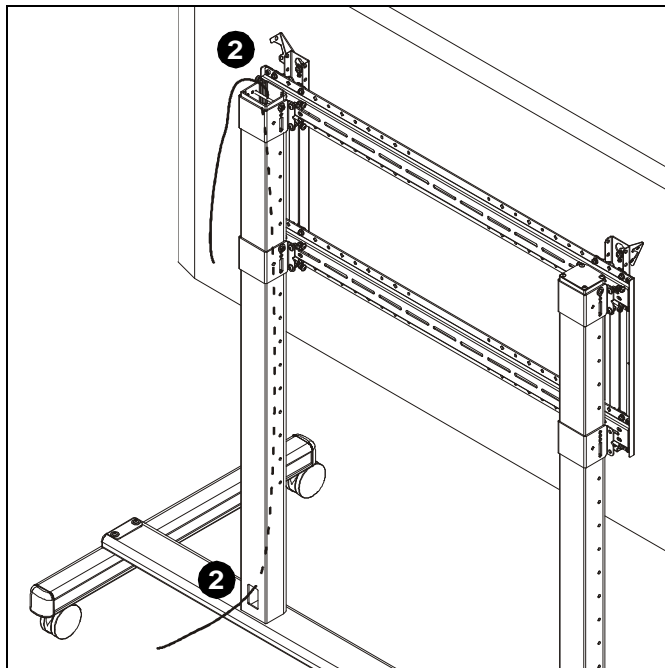


Figure 17

3. If rails needed to be installed on top of cable management holes, cables may be routed through quick connect bases (Q) prior to the rails being installed. (See Figure 18)
4. Install rails according to Rails Installation section making sure cable is routed through cable opening on quick connect base (Q). (See Figure 18)

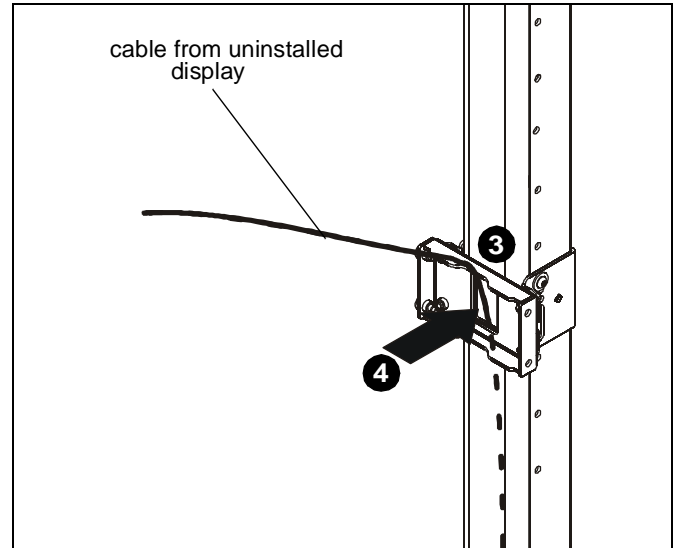


Figure 18

5. For any cable management holes that are not used, snap covers (MM) may be used to cover holes as desired. (See Figure 19)

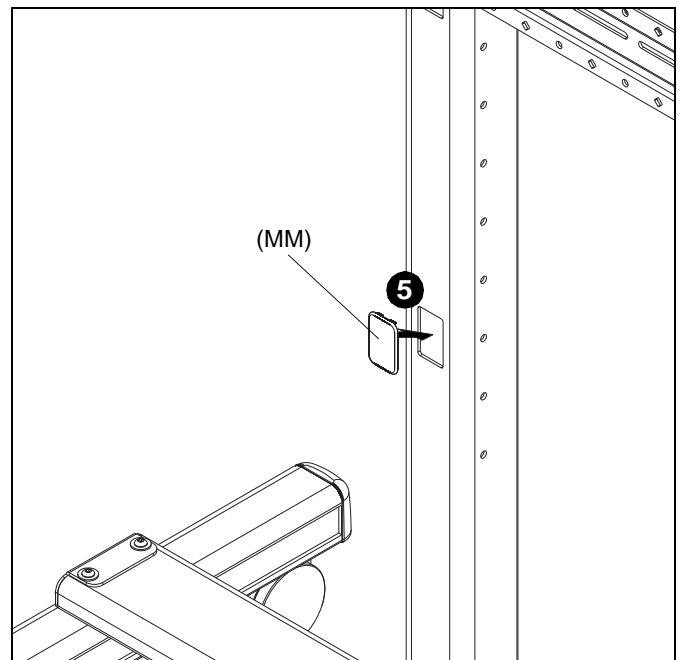


Figure 19



Our Mounts. **Your Vision.**

Chief, a products division of
Milestone AV Technologies

8800-002814 Rev00
©2016 Milestone AV Technologies
www.milestone.com
05/16

USA/International	A 6436 City West Parkway, Eden Prairie, MN 55344 P 800.582.6480 / 952.225.6000 F 877.894.6918 / 952.894.6918
Europe	A Franklinstraat 14, 6003 DK Weert, Netherlands P +31 (0) 495 580 852 F +31 (0) 495 580 845
Asia Pacific	A Office No. 918 on 9/F, Shatin Galleria 18-24 Shan Mei Street Fotan, Shatin, Hong Kong P 852 2145 4099 F 852 2145 4477

