



social & environmental

impact report 2024



• www.r-go-tools.com •

Contents

Where do you want to go?



About us

Letter from our CEO

B Corp

Our mission

Right from the start

Our team

Inclusivity

Social

What's next?



We care for your health

Ergonomic products

AGR certified

Tested and recommended

Plans for 2025

Facts & Figures



We care for people in need

Tools4Life

Collaborations

Short and longterm

Collection point CRR

Plans for 2025



We care for our environment

One Tree Planted

Ecovadis Platinum

Circular design

Products/packaging

Natural materials

WEEE

Plans for 2025

„Work hard,
play hard.“

Vincent Bons, CEO



Dear reader,

Last year was full of growth and positive changes at R-Go Tools. Since 2023, we can call ourselves a B-Corp, which stands for Benefit Corporation. B-Corp companies strive to keep our earth healthy, liveable and safe, for today's generation and the future. They do this primarily by contributing positively and actively to the well-being of people and our society. The independent B-Corp label is awarded by B Lab after an intensive audit in 5 impact areas. We are extremely proud that we as R-Go Tools have obtained the B-Corp certificate!

In front of you is our very first Social Responsibility Report 2024. This annual report is intended to provide insight into the impact we have as a company in terms of sustainability and social responsibility.

In this report, we are happy to share our impact updates with you. Here you read the story of the what, where and why at R-Go Tools. Where we are now and where we want to go in the future. Read all about the We care- values that make us R-Go Tools:

- ✓ **We care for your health** - how our ergonomic products make a positive contribution to your health
- ✓ **We care for people in need** - how we want to make a social impact with our products for people in need
- ✓ **We care for our environment** - how we take care of the environment as much as possible from production to shipping of our products

Above all, we hope you appreciate our passion and commitment and then like us and many others, you feel inspired by such initiatives. Finally, we would like to thank you. As a (future) customer or partner, you automatically contribute to the important work we strive to do!

Enjoy reading this report,
Vincent Bons, C.E.O.

Because we care.

Certified



Corporation

Officially

B Corp.

As a certified B Corp company, we can join the ranks of big names like Doppler, Tony Chocolonely and Ben & Jerry's. Companies that are going for it to make a difference globally. In early 2023, 178 companies in the Netherlands were allowed to call themselves a B Corp and now we too are officially part of this movement!

What makes a B Corp?

B Corp companies strive to keep the earth healthy, livable and safe, for today's generation and for later. They do this mainly by contributing positively and actively to people and society.

B Corporation is an independent quality mark awarded by B Lab, initiator of this movement, after a thorough audit on 5 impact areas. These include fair wages and working conditions (throughout the production and trade chain) and overall social commitment.

Since the founding of R-Go Tools "We care for people in need" has always been one of our main mission statements. Adhering to the B Corp guidelines is natural for us but nevertheless it reinforces and underlines our dedication to making the world a better place.



What makes R-Go Tools a B Corp?

Via the Tools4Life foundation, R-Go Tools is committed to various social areas. At least 10% of the profits thus go to various development projects. For example, R-Go Tools collaborates with the Agua Viva foundation in Brazil, and social workplaces in the Netherlands. In addition, we are a clothing collection point for Stichting CRR (Christian Refugee Relief), so that various refugee camps in Europe can be provided with clothes. All in all, we achieved a score of over 120 points (out of a highest possible score of 200 points, 82 of which were required)!

B Corp.
B Corp.
B Corp.



Our Mission

As R-Go Tools, we develop ergonomic tools for healthy monitor work. Everything we undertake as a company, is done in the spirit of three very important focal points.



**We care for
your health**

Your health is our
priority.



**We care for
people in need**

Helping people in need
is our passion.



**We care for
our environment**

We feel responsible for
the earth we live on.

Right from the start

It is our mission to make healthy computer work as natural as healthy food. At R-Go Tools we work hard every day to create a better, safer and healthier workplace for everyone. We believe that it is better to prevent physical complaints than to cure them. One of our focal points is that we strive to offer our products at an affordable price so that everyone is able to work in a healthy way.

Right from the beginning of R-Go Tools, it was obvious that as a company we do not want to aim for financial gain, but rather wish to contribute to people in need. This passion to help people is still our motivation and has ensured that in addition to sponsoring various projects via our Tools4Life foundation, we also help underprivileged people find work in the production process itself.

Because we care.

„Worldwide, people’s greatest desire is to have a good health, and work. Our ambition is to provide both with our products.“

Damiën, Account manager





We care for Your health



Your health is our priority!

Healthy living and healthy working is important for everyone. That's why we design ergonomic products with you in mind! With our ergonomic expertise, we design affordable ergonomic solutions that help you work healthily. Whether you work at home, in the office or on the road, we always have a solution that fits you.

Prevents RSI



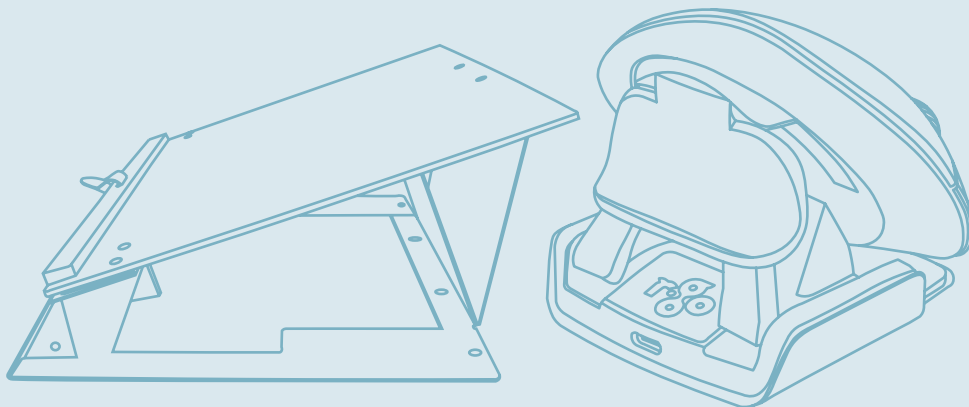
**Reminds you
to take breaks**



Ergonomically designed with you in mind

When designing our products, we take into account anthropometry (human geometry), ergonomic principles and applicable (occupational health and safety) guidelines.

We strive for ergonomic solutions that fit everyone, regardless of your height, posture and left- or right-handedness. Because computer work can quickly lead to tension on small muscles and tendons in the wrists and hands, we design the keyboards and mice so that minimal muscle tension is required to operate them. In the testing phase, we therefore also use muscle tension gauges. Our new products are evaluated by external ergonomists and a panel of test users.



**Designed
with you
in mind.**



AGR certified

We are proud that our products have achieved the leading AGR seal of approval.

What is AGR? AGR stands for „Aktion Gesunder Rücken,“ which in English means „Campaign Healthy Backs.“ This initiative started over 25 years ago by a German collective of experts and scientists from various professional groups. This team of experts tests whether products comply with ergonomic guidelines and actually prevent physical complaints. This leads to a highly nuanced and substantiated verdict: AGR-worthy or not.

A product with the AGR certificate has been ergonomically tested and recommended. It is a 100% reliable, officially recognized seal of approval that assures customers of the ergonomics of the product. Such a product stands out from other products whose ergonomics are not officially proven.

Originally developed in Germany, the AGR Label is a decisive and recognised seal of approval worldwide. AGR is found today in many industries where ergonomics are important, for example, AGR-approved car seats in the automotive industry.



Tested and recommended

*„Ergonomic and body-friendly mice, keyboards, monitor arms, document holders and laptop stands from R-Go provide assistance for natural and effortless computer work. They relieve the user instead of putting additional strain on him. It is especially important that the aids fit the user, as different people have different preferences. Congratulations on the AGR seal of approval and on products that make working life easier!“ - quote **Aktion Gesunder Rücken (AGR)***

What are we planning for the future?

In addition to continuously improving our existing products based on feedback we receive, we also focus on new types of products. Products for computer work that need improvement in terms of ergonomics. Currently we have several products in various stages of development. Naturally, we will present these devices as soon as they have been approved by independent ergonomists and receive an AGR certificate.

Healthy user

Happy user :)



Not only in the office but also at home, ergonomics is the essence of healthy computer work. We therefore keep all kinds of work settings and conditions in mind when developing new products.



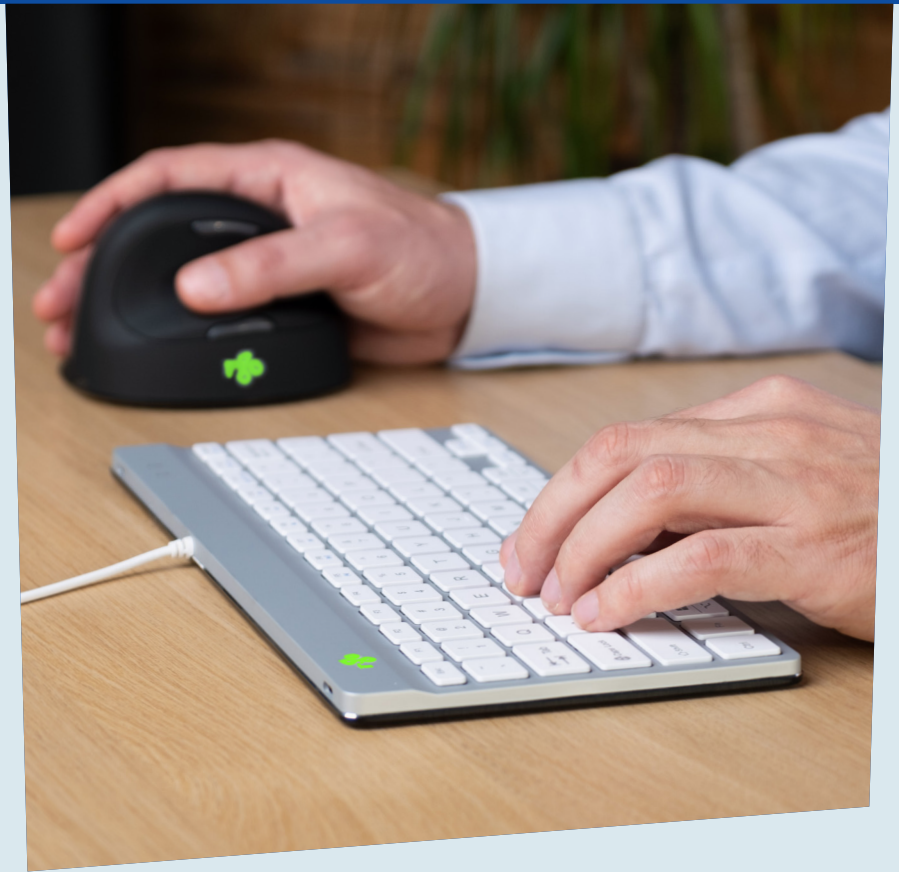
Facts & figures

The below table illustrates a breakdown of the healthy, social, and sustainable qualities of our products.

Products	AGR certified	Social product	Made of % recycled materials	% certified circular	EPD (Environment Product Declaration)
R-Go HE Basic Mouse	✓			85%	
R-Go HE Break Mouse	✓		Plastic 100%	85%	
R-Go Twister Mouse	✓	✓		85%	
R-Go Split Break Keyboard	✓		Plastic 100%	85%	
R-Go Compact Break Keyboard	✓		Plastic 100%	85%	
R-Go Numpad Break	✓		Plastic 100%	85%	
R-Go Zepher Single Monitor arm	✓		Plastic, Steel and Aluminium 100%	100%	✓
R-Go Zepher Double Monitor arm	✓		Plastic, Steel and Aluminium 100%	100%	✓
R-Go Caparo Single Monitor arm	✓		Plastic, Steel and Aluminium 100%	100%	✓
R-Go Caparo Double Monitor arm	✓		Plastic, Steel and Aluminium 100%	100%	✓
R-Go Smartbar	✓		Plastic, Steel and Aluminium 100%	100%	
R-Go Riser Flexible Laptop stand	✓		Aluminium 70%	100%	

Facts & figures

Products	AGR certified	Social product	Made of % recycled materials	% certified circular	EPD (Environment Product Declaration)
R-Go Riser Attachable Laptop stand	✓		Aluminium 70%	100%	
R-Go Riser Basic Laptop stand	✓		Aluminium 70%	100%	
R-Go Riser Duo Laptop stand	✓		Aluminium 70%	100%	
R-Go Riser Document Laptop stand	✓		Aluminium 70%	100%	
R-Go Treepod Laptop stand	✓			100%	
R-Go Steel Travel Laptop stand		✓	80% of the used STEEL IS MADE FROM Recycled MATERIALS	100%	
R-Go Steel Office Laptop stand		✓	The CONTENT OF THE RECYCLED MATERIAL (SCRAP) has a 15% pre-consumer origin and 85% post-consumer origin	100%	
R-Go Flex Read Document holder				100%	
R-Go Read2Write Document holder				100%	
R-Go Viva Laptop bag				100%	
R-Go Armrest				85%	
R-Go Split Armrest				85%	
R-Go Hygienic Keyboard cover					
R-Go Split Pouch		✓	100% recycled felt	100%	



Tools that provide comfort should not be considered a luxury. They are essential for healthy posture and working practices.



We care for



People in need

Helping people in need is our passion!

It is our passion to help people in need, to give people a second chance in life and on the job market. For example, we support several development projects worldwide via our Tools4Life foundation. We also collaborate with several social workshops in the Netherlands for the assembly of our Steel laptop stands. Our felt protective bags are custom made by i-Did, an exceptional social enterprise that makes products from recycled textiles. Finally, our Leerdam office is a clothing collection point for CRR Foundation (Christian Refugee Relief), so that refugees in Southern Europe can be provided with clothing.

Foundation Tools4Life

We donate more than 10% of our profits to development projects via our Tools4Life foundation. This way, we aim to give those in need and living in poverty the means to be able to provide for themselves.



Projects supported in 2024

Foundation Christian Refugee Relief (CRR)

Among other things, CRR sends monthly aid shipments to refugee camps in Southern Europe. Tools4Life provides financial support and opened an official clothing collection point at Techniekweg 15 in Leerdam in late 2022.

Foundation Heartview for you

Heartview for you is a Christian foundation that does a lot of charitable work in the Netherlands, Romania, Peru and India. In doing so, they maintain contact with missionaries in needy areas locally.





Foundation Agua Viva

Agua Viva is a foundation in Brazil that provides addiction care. The Foundation is committed to teaching former addicts a trade so that they are able to provide for themselves and thus more easily reintegrate into society.

A study project in Mozambique

Tools4Life was able to give Madalena from Mozambique an opportunity to train as a cook. She successfully completed this training in early 2024 and can now earn her own living as a cook!



DTS' Eva

We are financially supporting our former colleague Eva van Eck for a period of six months. She is on a mission trip to Hawaii, in order to assist the church and the local people. Eva is attending a Discipleship Training School of Performing Arts Dance.

Collaborations

Avres

Even closer to home, we try to give people better opportunities in life. We do this by regularly outsourcing manual labor to one of Avres' sheltered workshops. People who, for various reasons, have difficulty keeping up with society are employed and can find suitable work and a sense of self-worth because of Avres.



i-Did

We work together with i-Did, which also has a sheltered workshop where underprivileged people can learn a trade. I-Did makes new felt utensils and interior objects from old textiles. We are extremely happy with the felt pouches for our Split keyboard and our Twister mouse that i-Did is making especially for us. Besides being social, these pouches are of course also a sustainable product—two good causes in one!

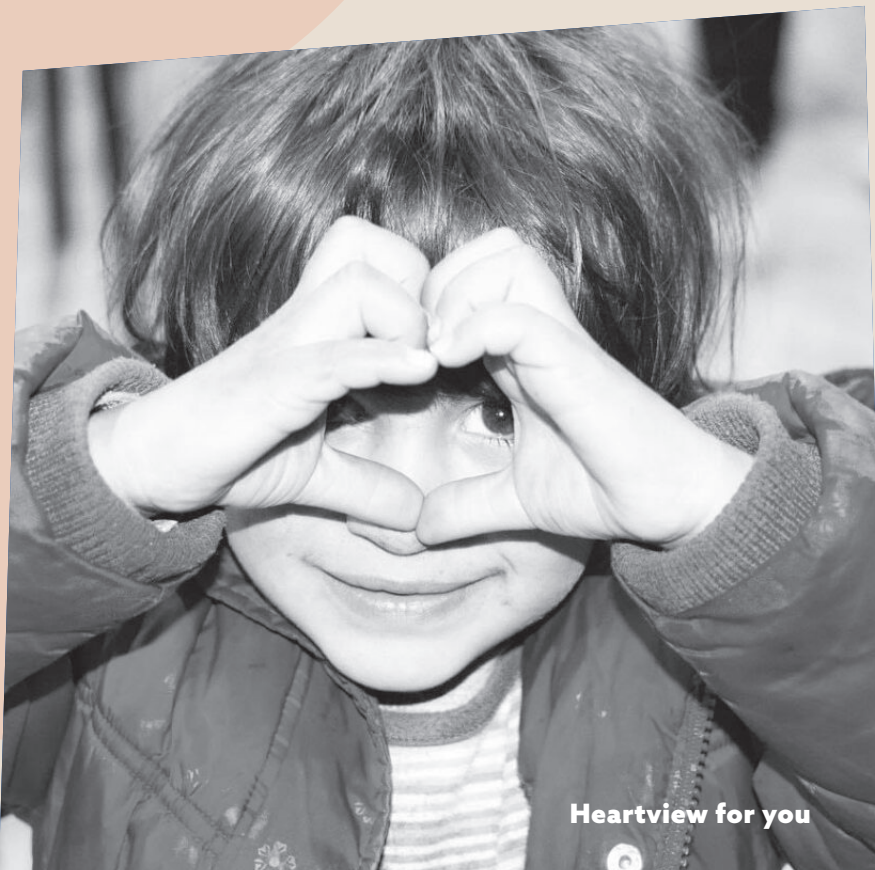


„It is our dream to combine our ergonomic talents with the social aspect: helping people.“

Vincent Bons



Agua Viva



Heartview for you



Agua Viva

What are we planning for the future?

In 2025, R-Go Tools will travel to Romania to find a new project. We will look for people whom we can support. The intention is to start a project in order to create jobs by producing new products or accessories. Ideally, we want to offer people who need it the chance to learn new skills that will help them get on in life.



We care for



Our environment

With care for the environment

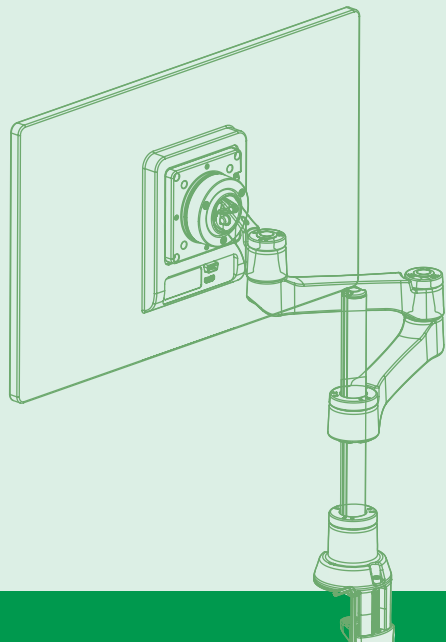
We feel responsible to be good stewards of the earth on which we live. This means that we think carefully about how our products should be made and what materials we use.



One Tree Planted

We want to contribute to the environment by ensuring lower emissions in production. To determine the environmental impact of our products, we conduct LCAs (life cycle analyses) for our monitor arms.

Our Caparo monitor arm for example has an impact of 14.3kg of CO₂ which is the equivalent of driving 44.9 Km by car. We offset every Kg of CO₂ required to produce our monitor arms by planting trees via the non-profit organisation "One Tree Planted".



**Our Zepher
monitor arm**





Ecovadis Platinum Certified

To clarify our social impact and continue to develop in the future, we engaged EcoVadis in 2022. As an independent organization EcoVadis assesses companies' policies on corporate social responsibility. EcoVadis reviewed R-Go Tools policies and practices in the following areas: "The environment", "Labor and Human Rights", "Ethics" and "Sustainable Procurement".

As a result, we are now confirmed as a socially responsible company. Everything is assessed annually, and we were delighted with our final score, which confirmed R-Go Tools qualify for a platinum medal from EcoVadis in 2024 placing us in the top 1% of all companies evaluated.

Circular design

In our opinion, sustainability starts with the design. Therefore, we consider the principles of „Circular Product Design“ when designing our products. For example, our products reduce waste and emissions of harmful substances into soil, air and water.

As a further example, our monitor arms are designed so that the aluminium and plastic can be easily separated, making the product completely recyclable. We have received a „100% circularity“ certificate for this. Our mice and keyboards are about 85% recyclable

Products/packaging

Furthermore, for our packaging, we choose sustainable materials as much as possible and use FSC cardboard with minimal environmental impact. And the felt pouches for our Split keyboard and Twister mouse have been recycled by i-Did from old textiles.





Use of natural materials

We use natural materials as much as possible for our products. For example, the Treepod laptop and tablet stand in 1 is made from biobased raw materials. Biobased means that the materials used consist mainly of natural/organic raw materials. The Treepod consists mainly of wood, making it a „green“ product.

WEEE

There is a take-back guarantee for all our products. Upon take-back, we ensure that our products are recycled. Our mice and keyboards can be handed in at a Wecycle return point. R-Go Tools is affiliated with WEEE, an organization that takes care of the recycling of electronics.



What are we planning for the future?

We constantly inform ourselves about the latest developments in the area of sustainability to see how we can improve within our current and future product range and general business operations. Of course, in 2025 we will again aim for the the Ecovadis Platinum Medal and, if possible, achieve an even higher ranking in the top of all evaluated companies. For example, we will be switching to post-consumer plastics for our mice and keyboards instead of post-production.



We care for
Our team



**At R-Go Tools
we share**

the passion for creating healthy workplaces, which connects us daily in trust, care and fun.

**Jeroen Verbeek,
Account manager**



**Everyone
here gets the
opportunity**

to do what he or she is good at.

**Sha Sha,
Marketplaces**



**R-Go is like
family**

Sharing our ups and downs,
brightening up each others
day.

**Corrie Barbosa,
Logistics**



Diverse team

Our team is, so to speak, very modernly mixed. Not so much for reasons of inclusiveness, R-Go Tools employs diverse people. Rather, this follows the belief that every person should be given a fair chance, in any respect. There is no less than 36 years age difference between our youngest and oldest employee and all ages in between are represented as well.

Apart from Leerdam and its surroundings, we have employees from various parts of the world - English is a common language on the shop floor. We are happy to have a permanent employee through the Avres sheltered workshop. In order to give young people a chance to gain work experience, R-Go Tools offers several possible internships and there are always two or three trainees in different departments.





Social team building activities

Every year in December, R-Go Tools organizes a social team building activity. We would like to be useful on such a day, actively contribute something to society or to a good cause. For example, in 2022 we sorted winter clothing at CRR for Ukrainian refugees and the year before we helped compile special Christmas packages at the Food Bank in Leerdam. In 2023, we provided a special Christmas dinner at the Food Bank for people to whom Christmas would otherwise have passed by. Besides being special, these social team building activities are truly unforgettable. The fun you can have while doing beautiful, rewarding work is priceless!



Follow us

Stay in touch

Of course, we continue to develop and strive for an even better R-Go Tools. We would love you to join in with the fun and be part of this journey! Follow us on our social media channels and always stay up to date with the latest developments. Let's stay in touch!



"We enjoy sharing our actions and thoughts... you're welcome to follow them closely!"

Geraldine, Social media



Download this report by scanning the QR code!

