



LITE VEHICLE DOCK FOR TOUGHPAD FZ-M1 / FZ-B2 WITH REMOVABLE ELECTRONICS PANEL MODEL NUMBERS: PCPE-OCM1CD1/3

A specially designed field serviceable vehicle dock which accommodates both FZ-M1 and FZ-B2 Toughpad devices.

This dock has been created to reduce the overall size and weight of the dock and tablet combination for those customers who do not require any of the additional options available for their Toughpad FZ-M1 or FZ-B2 device.

A unique removable electronics panel has been incorporated into the design of this dock, which means the user can quickly and easily replace the panel in the case of damaged connectors, significantly reducing downtime in the field.

Features

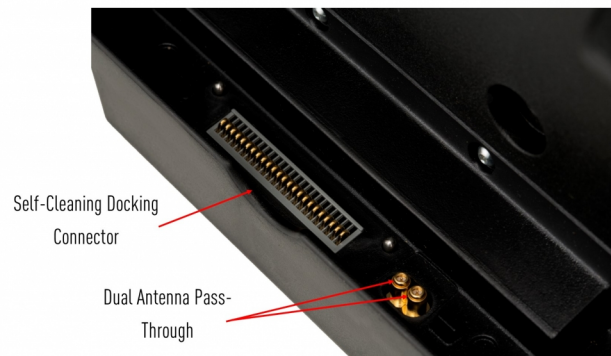
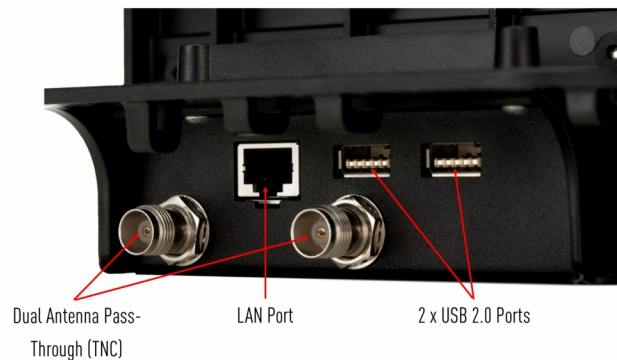
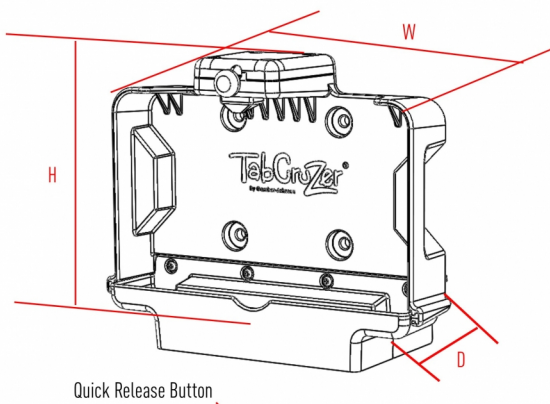
- Designed specifically for Toughpad FZ-M1 and FZ-B2 devices
- Designed according to MIL-STD-810G test criteria
- Slim design for space saving
- Unique removable electronics panel for replacement in the field
- Reduced port replication: 2 x USB 2.0 and LAN port
- Optional dual antenna pass-through
- VESA 75mm mounting pattern
- Alignment tabs to prevent damage to the docking connector when docking
- Rugged construction for reduced weight and long-term durability
- Docking mechanism tested to 30,000 cycles
- 1 year standard warranty (pick up and return)
- 3 and 5 year Extended Warranty and Accidental Damage Warranty options available

TOUGHPAD

LITE VEHICLE DOCK FOR TOUGHPAD FZ-M1 / FZ-B2

A rugged and compact vehicle dock with reduced port replication for FZ-M1 and FZ-B2 Toughpad devices, incorporating a unique removable electronics panel for rapid replacement in the field in case of damage to connectors.

Model Number:	PCPE-OCM1CD1	PCPE-OCM1CD3
Power Supply Input		DC 16V
LAN Port		1 x RJ45
USB Port		2 x USB 2.0
Serial Port		-
HDMI		-
VGA Port		-
Headphone		-
Microphone		-
Antenna Pass-Through	No	Yes
Lock		No
Dimensions		
Width		223 mm (8.793")
Depth		159 mm (6.231")
Height		184 mm (7.244")
Weight		0.59 kg (1.3 lb)
Warranty	1 year standard warranty (pick up and return). Extended Options Available.	
Non-Electric Version	No	
FZ-M1 Configurations not supported:	Barcode Reader, Serial Port, Smartcard Reader, NFC, UHF/RFID, Hot-Swappable Battery, Hand Strap (and Stylus)	



CERTIFICATIONS AND TESTING:

- . RoHS; Automotive CE; C-Tick, E-Mark, FCC
- . Vibration/Shock testing to MIL-STD-810G