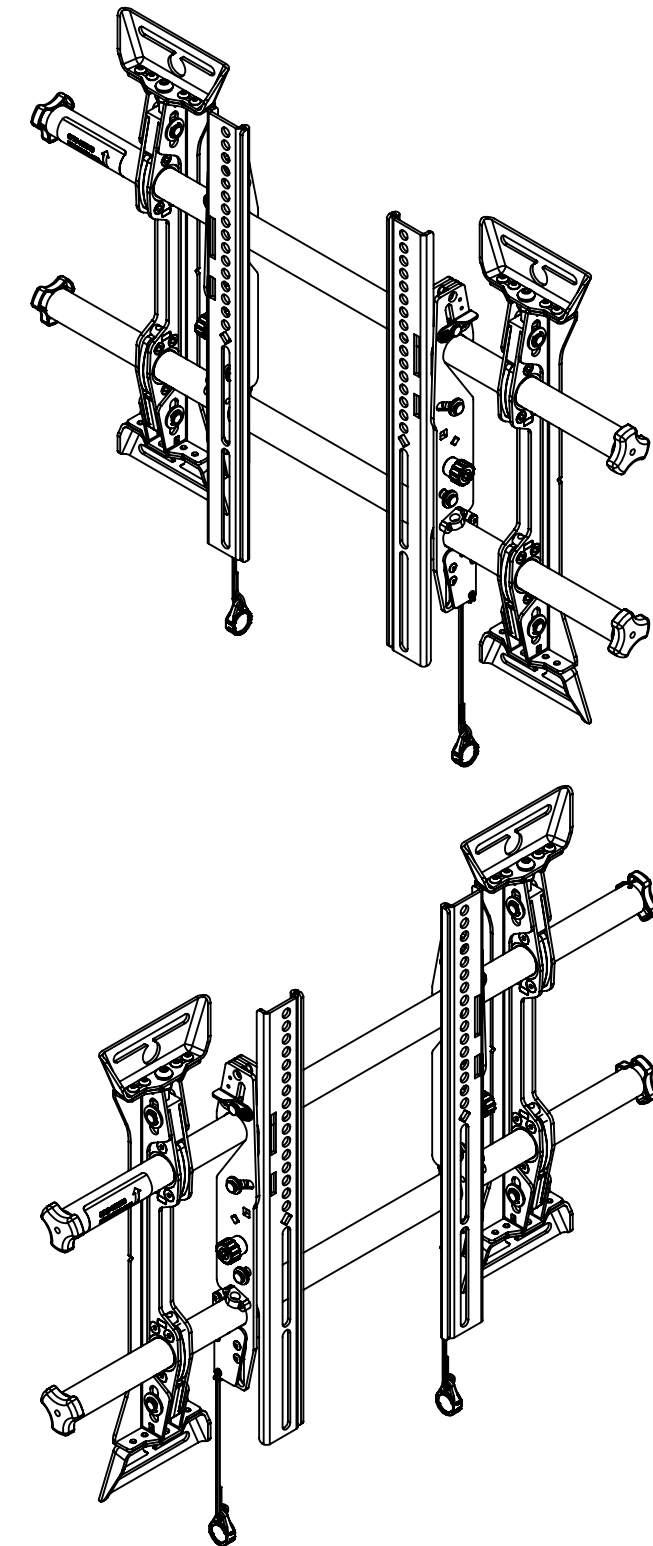
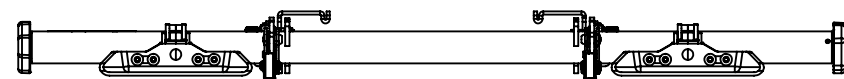
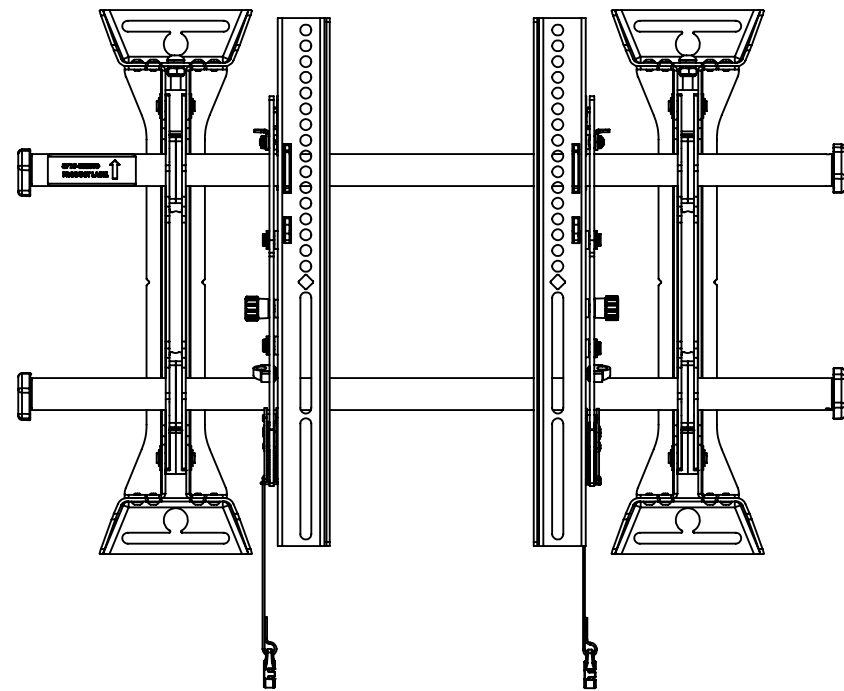
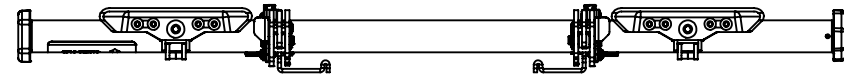


RAILS CAN BE SLID LEFT OR RIGHT FOR OFFSET


1. MAXIMUM MOUNTING PATTERN IS 22.25" [565mm] WITHOUT REVERSING UPRIGHTS (AS SHOWN)
2. MAXIMUM MOUNTING PATTERN IS 25.6" [650mm] WITH REVERSING UPRIGHTS
3. FOR RECESSED APPLICATIONS, MINIMUM VERTICAL LIFT FOR HOOK ENGAGEMENT IS .75" [19mm]

THE INFORMATION AND DESIGNS CONTAINED IN THIS DRAWING ARE CONFIDENTIAL AND THE PROPRIETARY PROPERTY OF LEGRAND | AV. NEITHER THIS DESIGN NOR ANY INFORMATION CONTAINED IN THIS DRAWING MAY BE REPRODUCED OR DISCLOSED TO OTHERS WITHOUT THE EXPRESS WRITTEN CONSENT OF LEGRAND | AV.

CAD GENERATED DRAWING, DO NOT MANUALLY UPDATE.				6436 CITY WEST PKWY EDEN PRAIRIE, MN, 55344 PHONE: 866-977-3901 FAX: 877-894-6918	
DRAWN BY	JAB	4/11/2014	DESCRIPTION		
ENG APPROVAL			MTM1U CUSTOMER TECHNICAL DRAWING		
MFG APPROVAL			MODEL NO.		
QA APPROVAL			MTM1U		
SHEET 1 OF 3		SCALE	1:4	SIZE	DWG. NO. TECH-000605
				REV.	02

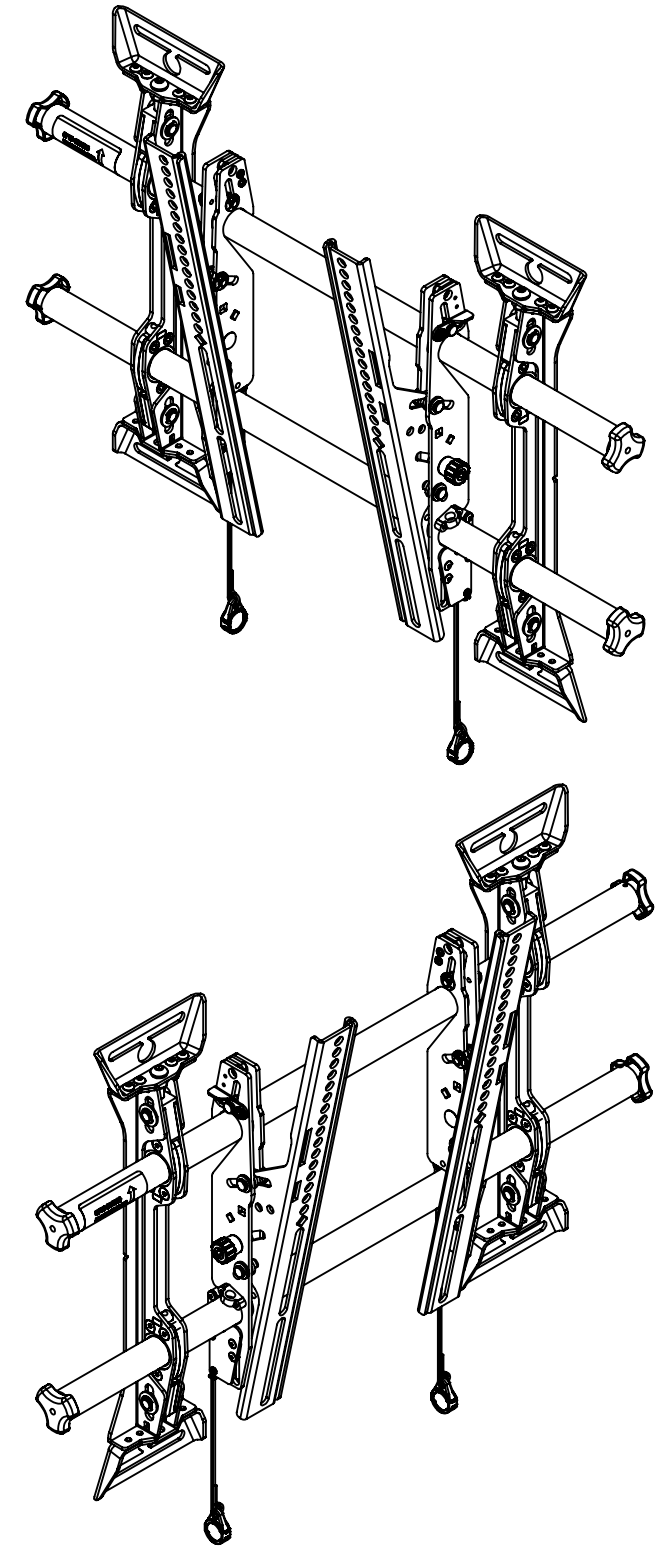
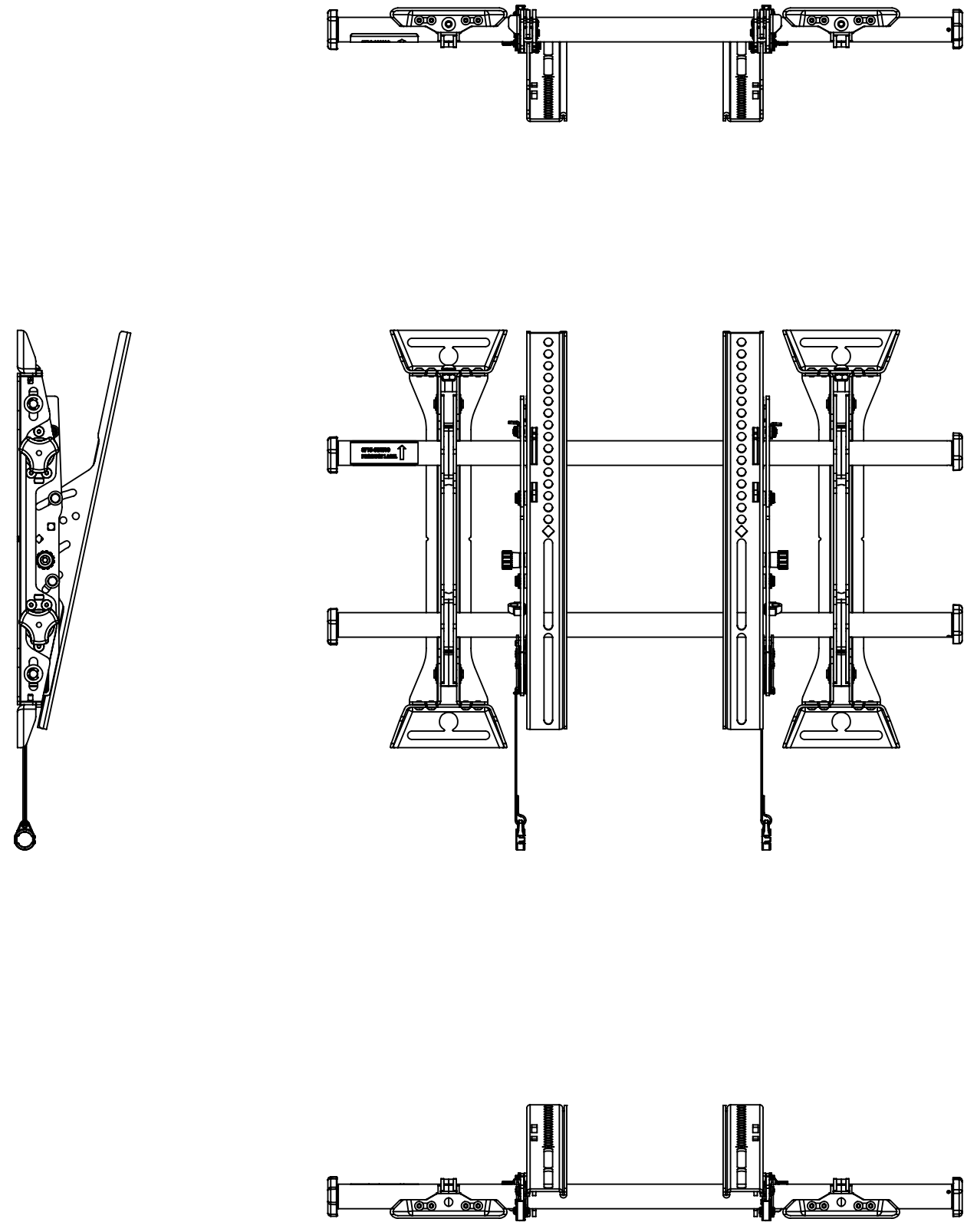


THE INFORMATION AND DESIGNS CONTAINED IN THIS DRAWING ARE CONFIDENTIAL AND THE PROPRIETARY PROPERTY OF LEGRAND | AV. NEITHER THIS DESIGN NOR ANY INFORMATION CONTAINED IN THIS DRAWING MAY BE REPRODUCED OR DISCLOSED TO OTHERS WITHOUT THE EXPRESS WRITTEN CONSENT OF LEGRAND | AV.


CAD GENERATED DRAWING, DO NOT MANUALLY UPDATE.		 6436 CITY WEST PKWY EDEN PRAIRIE, MN, 55344 PHONE: 866-977-3901 FAX: 877-894-6918	
DRAWN BY	JAB	4/11/2014	DESCRIPTION
ENG APPROVAL			MTM1U CUSTOMER TECHNICAL DRAWING
MFG APPROVAL			MODEL NO.
QA APPROVAL			MTM1U
SHEET 2 OF 3	SCALE	SIZE	DWG. NO.
	1:6	B	TECH-000605
			REV.
			02

D  
C  
B  
A

D  
C  
B  
A



THE INFORMATION AND DESIGNS CONTAINED IN THIS DRAWING ARE CONFIDENTIAL AND THE PROPRIETARY PROPERTY OF LEGRAND | AV. NEITHER THIS DESIGN NOR ANY INFORMATION CONTAINED IN THIS DRAWING MAY BE REPRODUCED OR DISCLOSED TO OTHERS WITHOUT THE EXPRESS WRITTEN CONSENT OF LEGRAND | AV.

CAD GENERATED DRAWING, DO NOT MANUALLY UPDATE.		 6436 CITY WEST PKWY EDEN PRAIRIE, MN, 55344 PHONE: 866-977-3901 FAX: 877-894-6918	
DRAWN BY	JAB	4/11/2014	DESCRIPTION
ENG APPROVAL			MTM1U CUSTOMER TECHNICAL DRAWING
MFG APPROVAL			MODEL NO.
QA APPROVAL			MTM1U
SHEET 3 OF 3	SCALE	SIZE	DWG. NO.
	1:6	B	TECH-000605
			REV.
			02

1 2 3 4 5 6 7 8

1 2 3 4 5 6 7 8