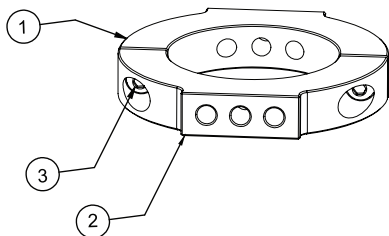


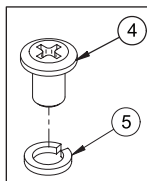
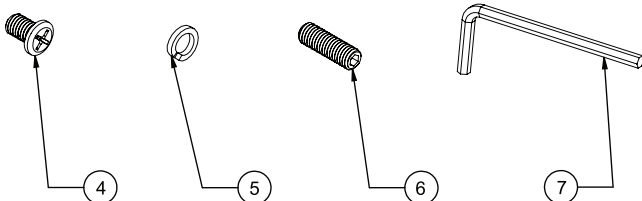


## FEATURES

- 2-piece accessory collar for use with  $\varnothing 50\text{mm}$  poles
- Provides attachment for B-Tech System 2 mounts
- Can be retro fitted onto poles

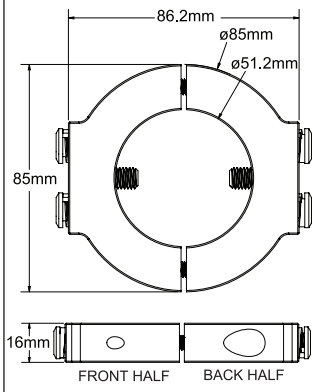


| No | PART NAME            | QTY |
|----|----------------------|-----|
| 1  | FRONT HALF COLLAR    | 1   |
| 2  | BACK HALF COLLAR     | 1   |
| 3  | M6 x 20mm SCREW      | 2   |
| 4  | M8 x 12mm SCREW      | 4   |
| 5  | M8 SPRING WASHER     | 4   |
| 6  | M8 x 25mm GRUB SCREW | 2   |
| 7  | 4mm ALLEN KEY        | 1   |



Spare screws and washers are provided for use on the other side of the collar if two accessories need to be attached.

### COLLAR DIMENSIONS



## B-TECH AUDIO VIDEO MOUNTS

HEAD OFFICE

B-Tech International Limited

Bennett House, Long March, Daventry, Northants., NN11 4NR, UK

Email: [info@btechavmounts.com](mailto:info@btechavmounts.com)

©2014 B-Tech International Limited. All rights reserved. B-Tech Audio Video Mounts is a division of B-Tech International Limited. B-Tech, Better By Design and Mountlog are registered trademarks of B-Tech International Limited. All other brands and product names are trademarks of their respective owners. Photographs are for illustrative purposes only. E&OE. B-Tech International Ltd, it's distributors and dealers are not responsible for damage or injury caused by improper installation, improper use, modifications, installations over the specified weight capacity and/or failure to observe these safety instructions. In such cases, any warranty will expire. It is recommended that this product should only be installed by a qualified professional / installer. B-Tech does not claim any liability for any difficulties that may arise from the interpretation of information contained in these instructions. Failure to mount this product correctly may lead to serious injury and/or death. Please check carefully to make sure there are no missing or defective parts - defective parts must never be used. In the event of missing and/or defective parts, or technical questions, please contact an authorised dealer.

[www.btechavmounts.com](http://www.btechavmounts.com)

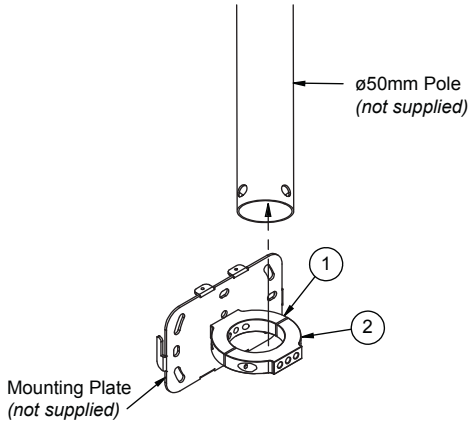
AMA-BT7841-V1-PROBX-0714-44

MADE IN P.R.C.

# INSTALLATION INSTRUCTIONS

## 1 There are 2 ways to attach the collar to the pole

i) Attach a B-Tech mounting plate or AV accessory (not supplied) to the front half of collar (Part 1)\* by using the M8 x 12mm screws (Part 4) and spring washers (Part 5) then slide the assembled collars onto the  $\varnothing 50\text{mm}$  pole (not supplied).

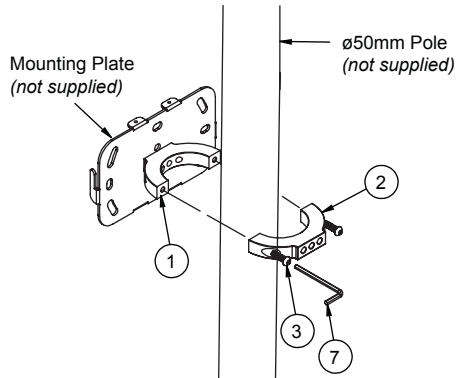


ii) Retro fitting the collar onto the pole - For situations where you cannot hook the collar over the pole.

Disassemble the collars by undoing the M6 x 20mm screws (Part 3) with the Allen key (Part 7).

Attach mounting plate to front half of collar (Part 1)\*.

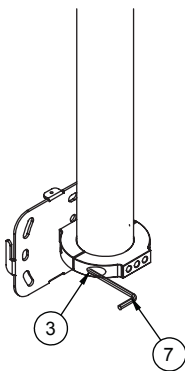
Fit the collar halves together onto the  $\varnothing 50\text{mm}$  pole by tightening the M6 x 20mm screws (Part 3).



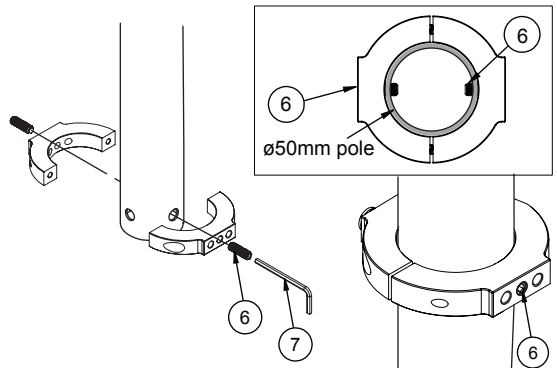
\* It is important to fix the mounting plate to the front half of the collar (Part 1) so you have access to the M6 x 20mm screws.

**Note:** Mounting plates can be attached to the collar after the collar is fixed onto the pole.

**2** Position collar on pole and fasten the M6 x 20mm screws (Part 3) tightly ensuring the gap between the collar halves on both sides are equal.



**3** Two M8 x 25mm grub screws (part 6) are provided for extra safety. At least one M8 x 25mm grub screw must be set in place before any AV equipment is fitted. The  $\varnothing 50\text{mm}$  pole may be drilled through to accommodate these safety grub screws or use the existing holes in the pole. Stop tightening the grub screw once the head of the M8 x 25mm grub screw is flush with the surface of the collar.



**To mount back to back screens:**

Follow steps 1, 2 and 3. Once the collar is mounted to the pole, add the 2nd mounting plate to the back half of the collar (Part 2).