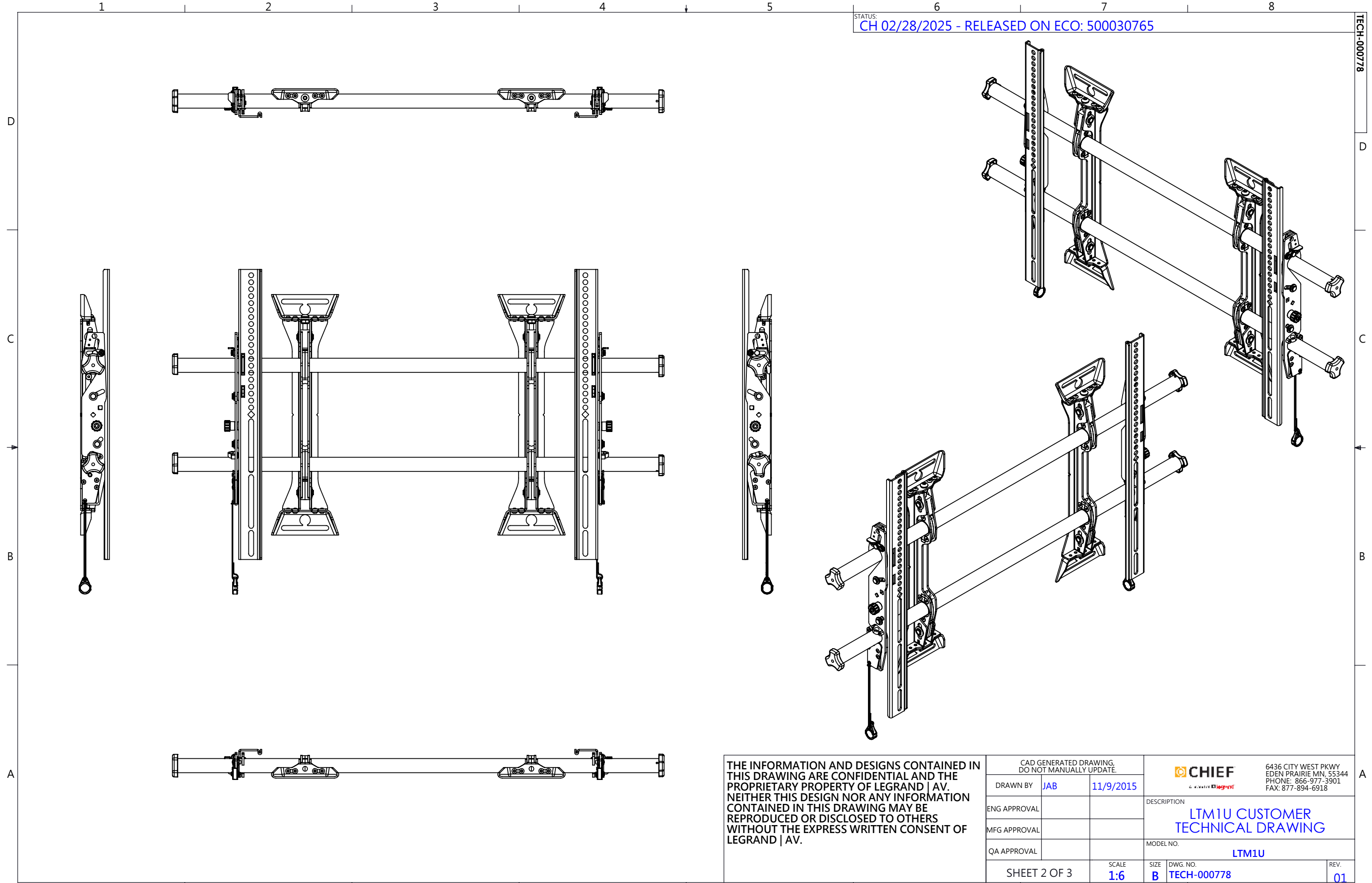


RAILS CAN BE SLID LEFT OR RIGHT FOR OFFSET


1. MAXIMUM MOUNTING PATTERN IS 31.25" [793mm] WITHOUT REVERSING UPRIGHTS (AS SHOWN)
2. MAXIMUM MOUNTING PATTERN IS 34.6" [878mm] WITH REVERSING UPRIGHTS
3. FOR RECESSED APPLICATIONS, MINIMUM VERTICAL LIFT FOR HOOK ENGAGEMENT IS .75" [19mm]

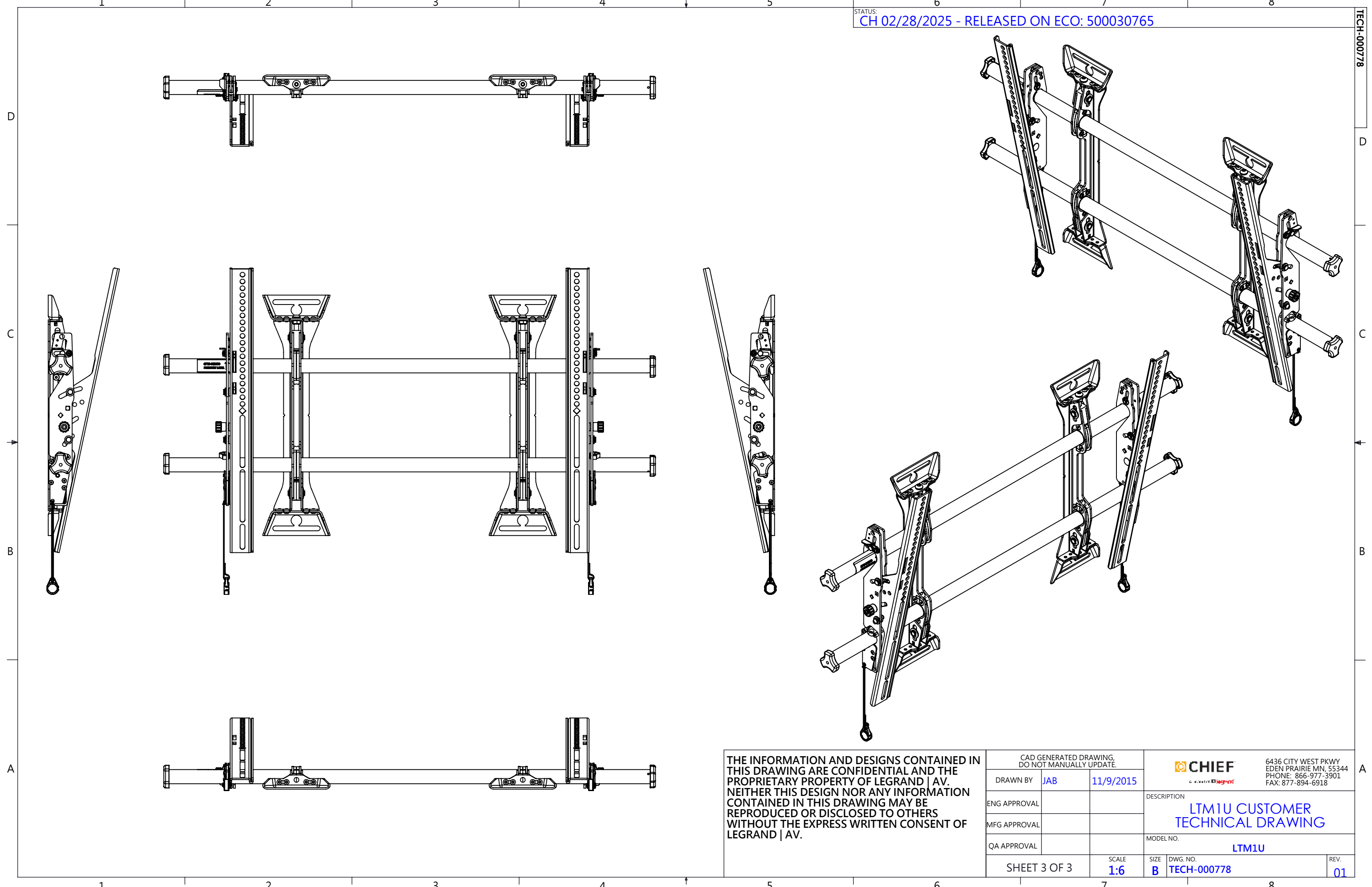
THE INFORMATION AND DESIGNS CONTAINED IN THIS DRAWING ARE CONFIDENTIAL AND THE PROPRIETARY PROPERTY OF LEGRAND | AV. NEITHER THIS DESIGN NOR ANY INFORMATION CONTAINED IN THIS DRAWING MAY BE REPRODUCED OR DISCLOSED TO OTHERS WITHOUT THE EXPRESS WRITTEN CONSENT OF LEGRAND | AV.

CAD GENERATED DRAWING, DO NOT MANUALLY UPDATE.				6436 CITY WEST PKWY EDEN PRAIRIE MN, 55344 PHONE: 866-977-3901 FAX: 877-894-6918	
DRAWN BY	JAB	11/9/2015	DESCRIPTION		
ENG APPROVAL			LTM1U CUSTOMER TECHNICAL DRAWING		
MFG APPROVAL			MODEL NO.		
QA APPROVAL			LTM1U		
SHEET 1 OF 3		SCALE	SIZE	DWG. NO.	REV.
		1:5	B	TECH-000778	01



THE INFORMATION AND DESIGNS CONTAINED IN THIS DRAWING ARE CONFIDENTIAL AND THE PROPRIETARY PROPERTY OF LEGRAND | AV. NEITHER THIS DESIGN NOR ANY INFORMATION CONTAINED IN THIS DRAWING MAY BE REPRODUCED OR DISCLOSED TO OTHERS WITHOUT THE EXPRESS WRITTEN CONSENT OF LEGRAND | AV.

CAD GENERATED DRAWING, DO NOT MANUALLY UPDATE.			 6436 CITY WEST PKWY EDEN PRAIRIE, MN, 55344 PHONE: 866-977-3901 FAX: 877-894-6918		
DRAWN BY	JAB	11/9/2015	DESCRIPTION		
ENG APPROVAL			LTM1U CUSTOMER TECHNICAL DRAWING		
MFG APPROVAL			MODEL NO.		
QA APPROVAL			LTM1U		
SHEET 2 OF 3		SCALE	SIZE	DWG. NO.	REV.
		1:6	B	TECH-000778	01



THE INFORMATION AND DESIGNS CONTAINED IN THIS DRAWING ARE CONFIDENTIAL AND THE PROPRIETARY PROPERTY OF LEGRAND | AV. NEITHER THIS DESIGN NOR ANY INFORMATION CONTAINED IN THIS DRAWING MAY BE REPRODUCED OR DISCLOSED TO OTHERS WITHOUT THE EXPRESS WRITTEN CONSENT OF LEGRAND | AV.

CAD GENERATED DRAWING, DO NOT MANUALLY UPDATE.						6436 CITY WEST PKWY EDEN PRAIRIE, MN, 55344 PHONE: 866-977-3901 FAX: 877-894-6918	
DRAWN BY	JAB	11/9/2015	DESCRIPTION				
ENG APPROVAL			LTM1U CUSTOMER TECHNICAL DRAWING				
MFG APPROVAL							
QA APPROVAL			MODEL NO.				
SHEET 3 OF 3		SCALE	1:6	SIZE	DWG. NO.	REV.	
			B	TECH-000778			01