



## THE NEW FUSION

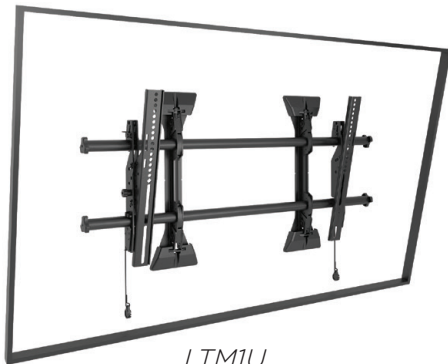
Everything you love about Fusion, enhanced with even more installer-friendly features.

# FUSION UPGRADE

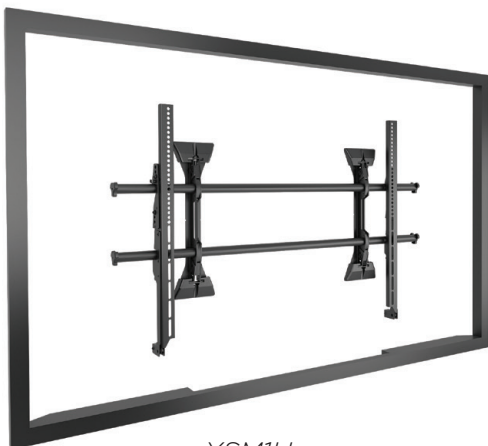
Chief's engineers returned to Fusion mounts to see what more could be done to improve the industry favorite solution. They kept all the features installers love, like ControlZone™ Adjustment, Centerless™ Shift, Centris® Tilt and ClickConnect™ Latching. Then they added new features to help make projects run even better.



MSM1U



LTM1U



XSM1U

## FUSION MOUNT CROSS REFERENCE

| OLD SKU                  | NEW SKU  |
|--------------------------|----------|
| <b>FIXED WALL MOUNTS</b> |          |
| MSAU                     | MSA1U*   |
| MSMU                     | MSM1U*   |
| LSAU                     | LSA1U    |
| LSMU                     | LSM1U    |
| XSMU                     | XSM1U    |
| <b>TILT WALL MOUNTS</b>  |          |
| MTAU                     | MTA1U*   |
| MTMU                     | MTM1U*   |
| MTMPU                    | MTMP1U   |
| LTAU                     | LTA1U    |
| LTMU                     | LTM1U    |
| LTMPU                    | LTMP1U** |
| XTMU                     | XTM1U    |

*\*Compatible with dual stud mounting only. Order the FCA1S to accommodate single stud mounting.*

*\*\*FHB5038 VESA® adapter required for compatibility with 800-1000 mm vertical patterns.*

## THE LATEST INNOVATIONS INCLUDE



### **1 SUPER STABILITY**

Included set screws can be used to keep the mount rigid while attaching the uprights to the wall and while hanging the display. Engaging the set screws also ensures secure, precise positioning throughout the life of the installation.



### **2 NESTING SPACERS**

Exclusive nesting spacers can be stacked to achieve any depth, providing a simple, universal hardware solution for mounting displays.



### **3 FASTER INSTALLATION**

Integrated teardrop design speeds up wall plate installation by allowing pre-installation of the bolts to the wall. The mount can then be hung and the bolts tightened down to secure the install.



### **4 QUICK-STORE CORDS**

New, magnetized ClickConnect™ makes it easy to store and access pull cords. Once the display is clicked into place simply snap the magnet anywhere onto the interface to hide the cords from view.



### **5 IMPROVED CABLE MANAGEMENT**

Redesigned end caps allow cables to be routed behind the poles - no need to remove.

### **BETTER PACKAGING**

We didn't stop with the mount. We wanted to improve the overall experience, so we made the box easier to open with less waste to throw away. Along with that, we implemented an interface hardware box that can be hung from the mount so you don't lose any pieces if there is a long gap between hanging the mount and hanging the display.

### **CONSOLIDATED ACCESSORIES**

Fusion's refresh comes with new accessories that work across the wall, freestanding and ceiling Fusion solutions. Fully customize installations, save inventory space and simplify your order with FCA8XX series accessories. See back page for cross reference information.

|                     | Old  | New   | Compatibility   |
|---------------------|--|---|---|
| Lower Shelves       | FCA500   | FCA800 Above/Below Component Shelf                      | Fusion Fixed & Tilt Wall, Freestanding & Ceiling Mounts |
|                     | FCS100   | FCA802 Lower Component Shelf 18" (457 mm)               |   |
|                     | —  | FCA812 Lower Component Shelf for XL Displays            |   |
|                     | FVS100   | FCA800 Above/Below Shelf, 8" (203 mm)                   |   |
|                     | FVS150   | FCA801 Above/Below Shelf, 14" (356 mm)                  |   |
| Upper Shelves       | FCA501   | FCA801 Above/Below Shelf, 14" (356 mm)                  | Fusion Fixed & Tilt Wall, Freestanding & Ceiling Mounts |
|                     | FCA502   | FCA800 Above/Below Shelf, 8" (203 mm)                   |   |
|                     | FCA503   | FCA801 Above/Below Component Shelf                      |   |
|                     | FVS200   | FCA800 Above/Below Shelf, 8" (203 mm)                   |   |
|                     | FVS250   | FCA801 Above/Below Shelf, 14" (356 mm)                  |   |
|                     | FVS251   | FCA801 Above/Below Shelf, 14" (356 mm)                  |   |
|                     | —  | FCA810 Above/Below Shelf for XL Displays, 8" (203 mm)   |   |
| —                   | FCA811 Lower Shelf for XL Displays, 14" (356 mm) |   |   |
| Center Shelves      | FVS300   | FCA820 Center Camera Shelf, 8" (203 mm)                 | All Fusion Series Mounts                                |
|                     | FVS350   | FCA821 Center Camera Shelf, 14" (356 mm)                |   |
| Speaker Adapters    | FCA530   | FCA830 Center Channel Speaker Adapter                   | Fusion Fixed & Tilt Wall, Freestanding & Ceiling Mounts |
|                     | FCA535   | FCA831 Side Speaker Adapter                             |   |
|                     | FCC100   | FCA830 Center Channel Speaker Adapter                   |   |
|                     | FLR100   | FCA831 Side Speaker Adapter                             |   |
|                     | —  | FCA840 Center Channel Speaker Adapter for XL Displays   |   |
| —                   | FCA841 Side Speaker Adapter for XL Displays      |   |   |
| Side Covers         | —  | FCA106 Decorative Side Cover Accessory†                 | Fusion Fixed & Tilt Mounts                              |
| Single Stud Adapter | —  | FCA1S Single Stud Adapter                               | Medium Fusion Fixed & Tilt                              |
| VESA® Adapter       | —  | FHB5038 VESA® Adapter for 800-1000 mm vertical patterns | Medium Fusion Fixed & Tilt                              |
| CPU Adapters        | FCA100   | FCA110 Cat5/Surge/CPU Adapter                           | Fusion Fixed & Tilt Mounts                              |
|                     | FCA102   | FCA112 Secure CPU/Media Player Adapter                  | All Fusion Wall Mounts                                  |
|                     | FCA103   | FCA113 CPU Extender Adapter                             | Fusion Fixed & Tilt Mounts                              |

†Available now. Compatible with both existing and new Fusion mounts for displays over 24" tall.



A BRAND OF MILESTONE AV TECHNOLOGIES ■ [www.chiefmfg.com](http://www.chiefmfg.com)

USA P 800.582.6480 / +1.952.225.6000 ■ F 877.894.6918 / +1.952.894.6918 ■ [chief@chiefmfg.com](mailto:chief@chiefmfg.com)

Canada P 877.345.4329 ■ F 888.377.5314 ■ [canadainfo@milestone.com](mailto:canadainfo@milestone.com)

EMEA P +31 495 580 840 ■ F +31 495 580 845 ■ [emea.sales@milestone.com](mailto:emea.sales@milestone.com)

Asia Pacific P +852 2145 4099 ■ F +852 2145 4477 ■ [asia.chief@milestone.com](mailto:asia.chief@milestone.com)

In British Columbia, Milestone AV Technologies ULC carries on business as MAVT Milestone AV Technologies ULC.

©2015 Milestone AV Technologies. 150007B 3/15 Chief is a registered trademark of Milestone AV Technologies. All other brand names or marks are used for identification purposes and are trademarks of their respective owners. All patents are protected under existing designations. Other patents pending.