

2/4-Port HDMI Splitter

VS182A / VS184A

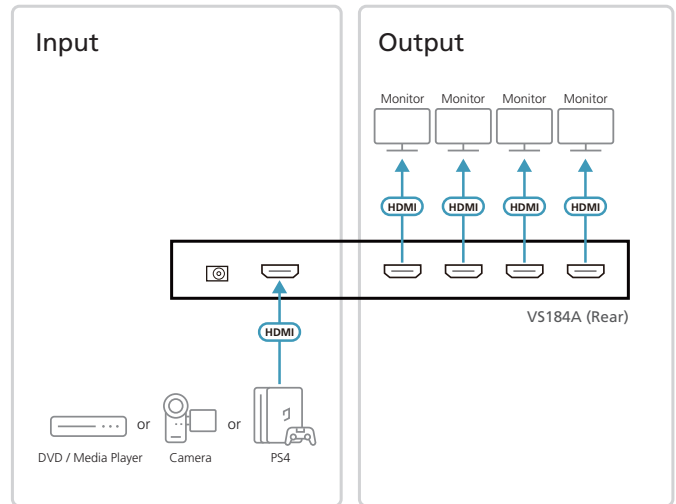
The VS182A / VS184A HDMI Splitter is the perfect solution for anyone who needs to send one source of digital high definition video to two (VS182A) or four (VS184A) displays at the same time. It supports all HDMI-enabled equipment, such as DVD players, satellite set-top boxes and all HDMI displays.

The VS182A / VS184A HDMI Splitter is HDCP (High Bandwidth Digital Content Protection) compliant, making it effective for use with all HDMI displays in home theater applications, as well as in corporate, educational and commercial settings.



Features

- Connects one HDMI source to two (VS182A) or four (VS184A) HDMI displays at the same time
- HDMI (3D, Deep Color, 4k x 2k); HDCP Compatible
- Supports resolutions of up to Ultra HD 4k x 2k
- Supports Dolby True HD and DTS HD Master Audio
- Long distance transmission – up to 15 m (24 AWG)
- Supports max. data rate of 10.2 Gbps
- Plug-and-Play – no software installation required



Specifications

	VS182A	VS184A
Video Input		
Interface	1 x HDMI Type-A Female (Black)	
Impedance	100 Ω	
Max. Distance	1.8 m	
Video Output		
Interface	2 x HDMI Type-A Female (Black)	4 x HDMI Type-A Female (Black)
Impedance	100 Ω	
Max. Distance	Up to 15 m	
Video		
Max. Data Rate	10.2 Gbps (3.4 Gbps Per Lane)	
Max. Pixel Clock	340 MHz	
Compliance	HDMI (3D, Deep Color, 4k x 2k); HDCP Compatible	
Max. Resolution	Up to 4096 x 2160 / 3840 x 2160 @ 60 Hz (4 : 2 : 0); 4096 x 2160 / 3840 x 2160 @ 30 Hz (4 : 4 : 4)	
Audio		
Input	1 x HDMI Type-A Female (Black)	
Output	2 x HDMI Type-A Female (Black)	4 x HDMI Type-A Female (Black)
Power		
Connectors	1 x DC Jack	
Power Consumption	DC 5.3 V : 3.12 W	DC 5.3 V : 6.02 W
Environmental		
Operating Temperature	0 - 50 °C	
Storage Temperature	-20 - 60 °C	
Humidity	0 - 80% RH, Non-Condensing	
Physical Properties		
Housing	Metal	
Weight	0.31 kg	0.47 kg
Dimensions (L x W x H)	12.50 x 8.00 x 2.50 cm	20.00 x 8.00 x 2.50 cm

ATEN International Co., Ltd.

3F, No.125, Sec. 2, Datung Rd., Sijhih District., New Taipei City 221, Taiwan
 Phone: 886-2-8692-6789 Fax: 886-2-8692-6767
 www.aten.com E-mail: marketing@aten.com

Product information is subject to change without prior notice.

Released: 01/2022 V4.0

© Copyright 2022 ATEN® International Co. Ltd.
 ATEN and the ATEN logo are registered trademarks of ATEN International Co., Ltd.
 All rights reserved. All other trademarks are the property of their respective owners.
 The terms HDMI, HDMI High-Definition Multimedia Interface, and the HDMI Logo are trademarks or registered trademarks of HDMI Licensing Administrator, Inc.

