

INSTALLATION INSTRUCTIONS

KRA224 - Kontour Handle Accessory

The KRA224 handle accessory is designed for use with Chief® Series Kontour Mounts. See the specific installation instructions provided with the mount for additional installation information.

Unpack carton and verify kit contents. If any listed parts are missing, immediately contact a Chief Customer Service representative.

⚠ WARNING: IMPROPER INSTALLATION CAN LEAD TO EQUIPMENT FALLING CAUSING SERIOUS PERSONAL INJURY AND DAMAGE TO EQUIPMENT! DO NOT substitute hardware. Use only hardware supplied by manufacturer!

(1) KRA224 Handle

(1) 1/8" Hex Key

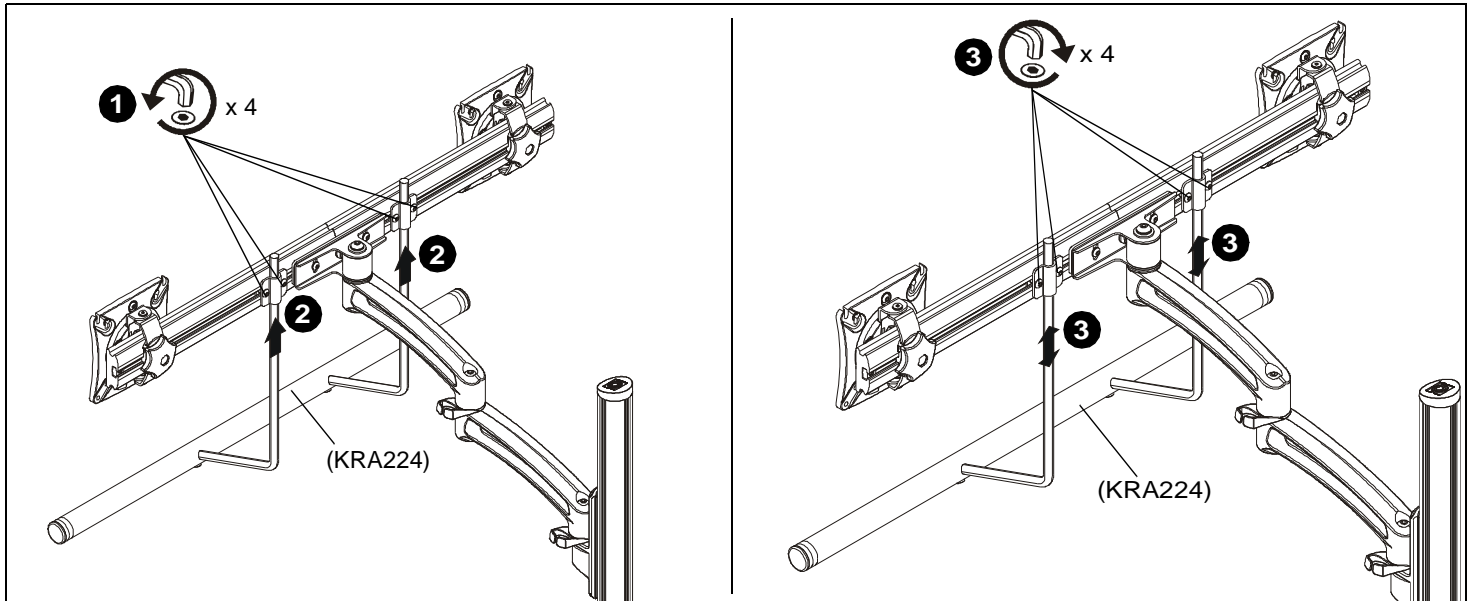


Figure 1:

Installation Instructions

1. Loosen four screws securing handle brackets to Kontour array. (See Figure 1)
2. Install uprights of KRA224 handle into handle brackets located on the back of Kontour array. (See Figure 1)
3. Position KRA224 handle at desired height and secure by tightening button head cap screws attaching handle brackets to array. (See Figure 1)

Chief® is a registered trademark of Milestone AV Technologies. All rights reserved.



Milestone AV Technologies, and its affiliated corporations and subsidiaries (collectively, "Milestone"), intend to make this manual accurate and complete. However, Milestone makes no claim that the information contained herein covers all details, conditions or variations, nor does it provide for every possible contingency in connection with the installation or use of this product. The information contained in this document is subject to change without notice or obligation of any kind. Milestone makes no representation of warranty, expressed or implied, regarding the information contained herein. Milestone assumes no responsibility for accuracy, completeness or sufficiency of the information contained in this document.