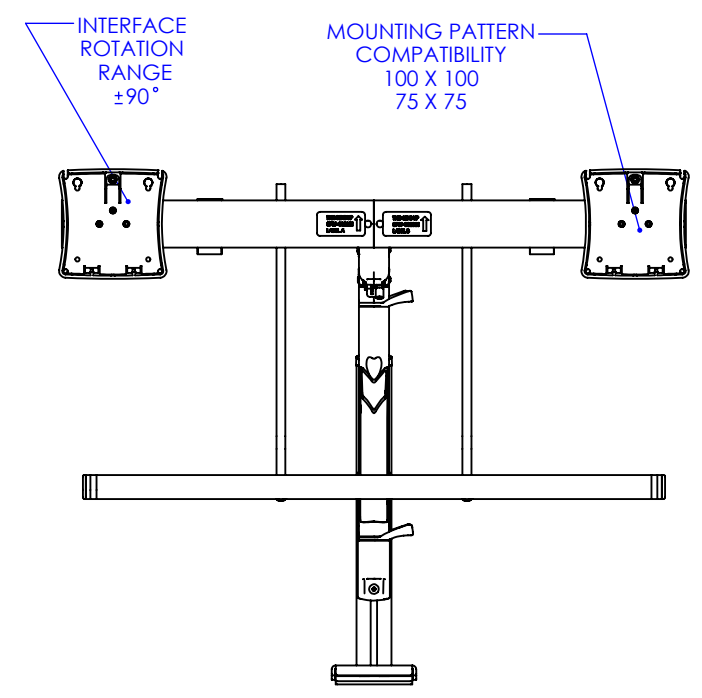
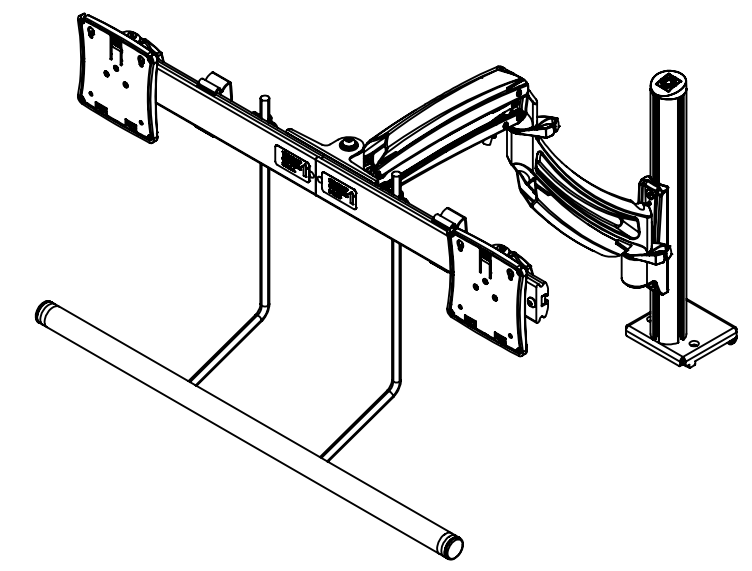
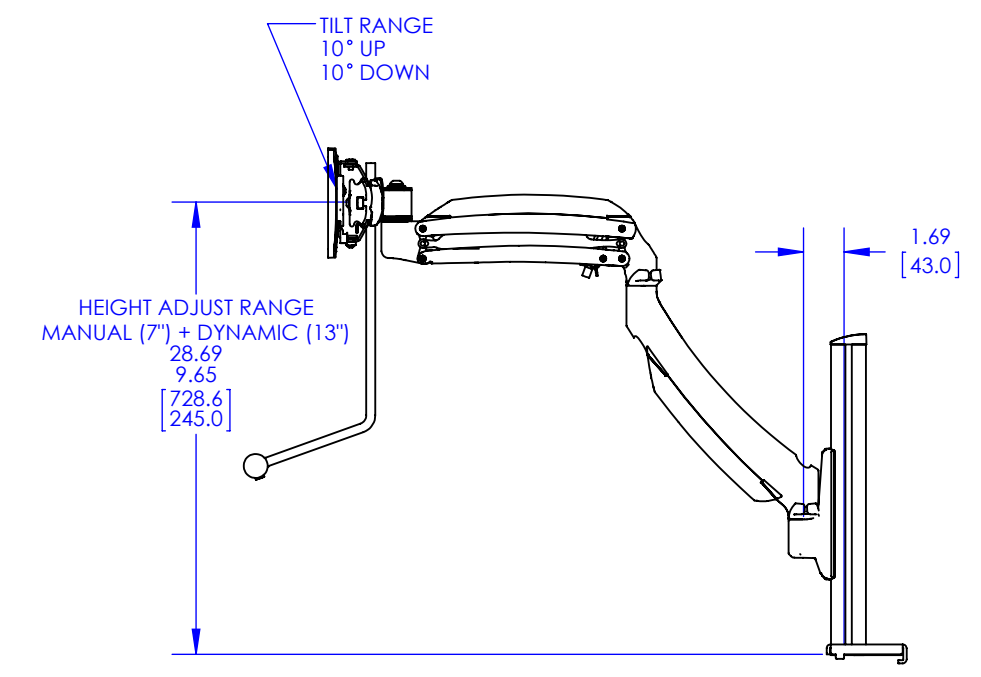


DYNAMIC LIT ARM
LENGTH RANGE
STRAIGHT = MAX
FULL UP/DOWN = MIN
10.21
7.12
[259.3]
[180.9]



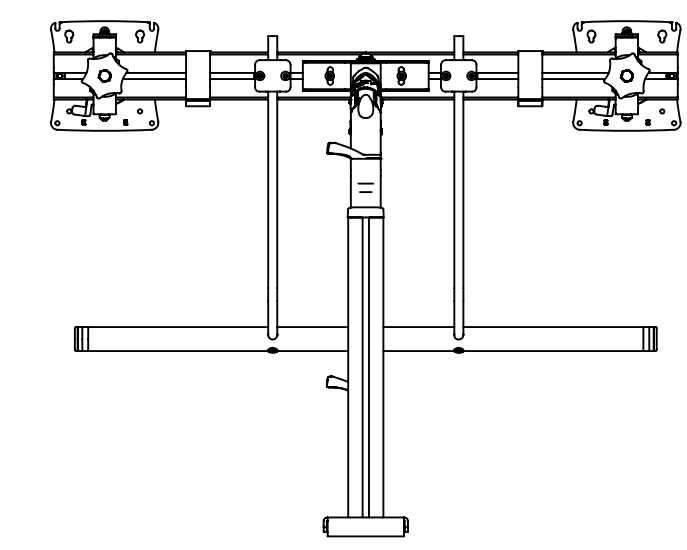
INTERFACE
ROTATION
RANGE
±90°

MOUNTING PATTERN
COMPATIBILITY
100 X 100
75 X 75



HEIGHT ADJUST RANGE
MANUAL (7") + DYNAMIC (13")
28.69
9.65
[728.6]
[245.0]

TILT RANGE
10° UP
10° DOWN



THE INFORMATION AND DESIGNS CONTAINED IN THIS DRAWING ARE CONFIDENTIAL AND THE PROPRIETARY PROPERTY OF MILESTONE AV TECHNOLOGIES NEITHER THIS DESIGN NOR ANY INFORMATION CONTAINED IN THIS DRAWING MAY BE REPRODUCED OR DISCLOSED TO OTHERS WITHOUT THE EXPRESS WRITTEN CONSENT OF MILESTONE AV TECHNOLOGIES.

CAD GENERATED DRAWING, DO NOT MANUALLY UPDATE.			6436 CITY WEST PKWY EDEN PRAIRIE MN, 55344 PHONE: 866-977-3901 FAX: 877-894-6918		
DRAWN BY	PMS	11/27/2013	DESCRIPTION K1C22HSXF1		
ENG APPROVAL			MODEL NO. K1C22HSXF1		
MFG APPROVAL			SIZE DWG. NO. B TECH-000465		
QA APPROVAL			REV. 03		
SHEET 1 OF 1		SCALE 1:8			